

SenF -52 kg

Competitors/Compétiteurs

#	Name/Nom	Grade	Club	1	2	3	4	W/G	Pts	Pos
1	Tace VEALE	Brown	Lethbridge	XX			10	1	10	3
2	Addyson TAMURA	Brown	Lethbridge	10	XX		10	2	20	2
3	Isla DIESMOS	Brown	Hiro's	10	10	XX	10	3	30	1
4	Aida Miko SHIMA	Brown	Kodokwai				XX	0	0	4

Matches/Matches

Match	White/Blanc			Blue/Bleu	Res/Rés	Tim/Tmp	Code
B-109	Tace VEALE	1	2	Addyson TAMURA	0 - 10	1:14	IPO
B-110	Isla DIESMOS	3	4	Aida Miko SHIMA	10 - 0	0:00	FUS
B-116	Tace VEALE	1	3	Isla DIESMOS	0 - 10	0:16	IPO
B-117	Addyson TAMURA	2	4	Aida Miko SHIMA	10 - 0	0:00	FUS
B-123	Tace VEALE	1	4	Aida Miko SHIMA	10 - 0	0:00	FUS
B-124	Addyson TAMURA	2	3	Isla DIESMOS	0 - 10	1:41	IPO

Results/Résultats

Pos	Name/Nom
1	Isla DIESMOS, Hiro's
2	Addyson TAMURA, Lethbridge
3	Tace VEALE, Lethbridge

SenF -63 kg

Competitors/Compétiteurs

#	Name/Nom	Grade	Club	1	2	3	4	W/G	Pts	Pos
1	Mackenzie QUERIN	Blue	Hoku Sei Kan	XX	10			1	10	3
2	Trinity SOILAND	Green	Airdrie		XX			0	0	4
3	Kayla JOHNSON	Brown	Tokugawa	10	10	XX		2	20	2
4	Brecklyn VEALE	Brown	Lethbridge	10	10	5	XX	3	25	1

Matches/Matches

Match	White/Blanc			Blue/Bleu	Res/Rés	Tim/Tmp	Code
B-106	Mackenzie QUERIN	1	2	Trinity SOILAND	10 - 0	0:10	IPO
B-107	Kayla JOHNSON	3	4	Brecklyn VEALE	0 - 5	4:00	WAZ
B-113	Mackenzie QUERIN	1	3	Kayla JOHNSON	0 - 10	0:08	IPO
B-114	Trinity SOILAND	2	4	Brecklyn VEALE	0 - 10	0:44	IPO
B-120	Mackenzie QUERIN	1	4	Brecklyn VEALE	0 - 10	0:34	WIP
B-121	Trinity SOILAND	2	3	Kayla JOHNSON	0 - 10	0:08	IPO

Results/Résultats

Pos	Name/Nom
1	Brecklyn VEALE, Lethbridge
2	Kayla JOHNSON, Tokugawa
3	Mackenzie QUERIN, Hoku Sei Kan

SenF -70 kg

Competitors/Compétiteurs

#	Name/Nom	Grade	Club	1	2	3	4	W/G	Pts	Pos
1	Meadow MACDONALD	1D	Lethbridge	XX	10	10	10	3	30	1
2	Maralgoo BATBAYAR	Brown	Lethbridge		XX			0	0	4
3	Elizabeth COSSITT	Brown	Kodokwai		10	XX	10	2	20	2
4	Hailey VAN KOUGHNETT	Yellow	Hoku Sei Kan		10		XX	1	10	3

Matches/Matches

Match	White/Blanc			Blue/Bleu	Res/Rés	Tim/Tmp	Code
B-111	Meadow MACDONALD	1	2	Maralgoo BATBAYAR	10 - 0	3:03	IPO
B-112	Elizabeth COSSITT	3	4	Hailey VAN KOUGHNETT	10 - 0	0:38	IPO
B-118	Meadow MACDONALD	1	3	Elizabeth COSSITT	10 - 0	3:44	IPO
B-119	Maralgoo BATBAYAR	2	4	Hailey VAN KOUGHNETT	0 - 10	0:00	FUS
B-125	Meadow MACDONALD	1	4	Hailey VAN KOUGHNETT	10 - 0	0:24	WIP
B-126	Maralgoo BATBAYAR	2	3	Elizabeth COSSITT	0 - 10	0:00	KIK

Results/Résultats

Pos	Name/Nom
1	Meadow MACDONALD, Lethbridge
2	Elizabeth COSSITT, Kodokwai
3	Hailey VAN KOUGHNETT, Hoku Sei Kan

SenM -100 kg

Competitors/Compétiteurs

#	Name/Nom	Grade	Club	1	2	1	2	1	2	W/G	Pts	Pos
1	Richard TURNER	Blue	Ishi Yama	XX	10	XX		XX	10	2	20	1
2	Simon TREMBLAY	1D	Kodokwai		XX	10	XX		XX	1	10	2

Matches/Matches

Match	White/Blanc			Blue/Bleu	Res/Rés	Tim/Tmp	Code
A-111	Richard TURNER	1	2	Simon TREMBLAY	10 - 0	3:40	IPO
A-118	Simon TREMBLAY	2	1	Richard TURNER	10 - 0	1:12	HAN
A-125	Richard TURNER	1	2	Simon TREMBLAY	10 - 0	0:36	IPO

Results/Résultats

Pos	Name/Nom
1	Richard TURNER, Ishi Yama
2	Simon TREMBLAY, Kodokwai

SenMBB -66 kg

Competitors/Compétiteurs

#	Name/Nom	Grade	Club	1	2	3	W/G	Pts	Pos
1	Stefan TESANOVIC	Brown	Ishi Yama	XX			0	0	3
2	Xavion JOHNSON	1D	Lethbridge	10	XX	10	2	20	1
3	Zubail DZHABRAILOV	Brown	Tolide	10		XX	1	10	2

Matches/Matches

Match	White/Blanc			Blue/Bleu	Res/Rés	Tim/Tmp	Code
C-110	Stefan TESANOVIC	1	2	Xavion JOHNSON	0 - 10	0:57	WIP
C-117	Stefan TESANOVIC	1	3	Zubail DZHABRAILOV	0 - 10	0:36	DHM/HMD
C-124	Xavion JOHNSON	2	3	Zubail DZHABRAILOV	10 - 0	0:12	IPO

Results/Résultats

Pos	Name/Nom
1	Xavion JOHNSON, Lethbridge
2	Zubail DZHABRAILOV, Tolide

SenMBB -73 kg

Competitors/Compétiteurs A

#	Name/Nom	Grade	Club	1	2	3	4	W/G	Pts	Pos
1	Ivan ZALESKIKH	1D	St. Albert	XX	10	10	10	3	30	1
2	Ethan DEEG	Brown	Tokugawa		XX	10		1	10	3
3	Owen HOOVER	Brown	Kodokwai			XX		0	0	4
4	Seth NOBERT	1D	Kodokwai		10	10	XX	2	20	2

Pool A

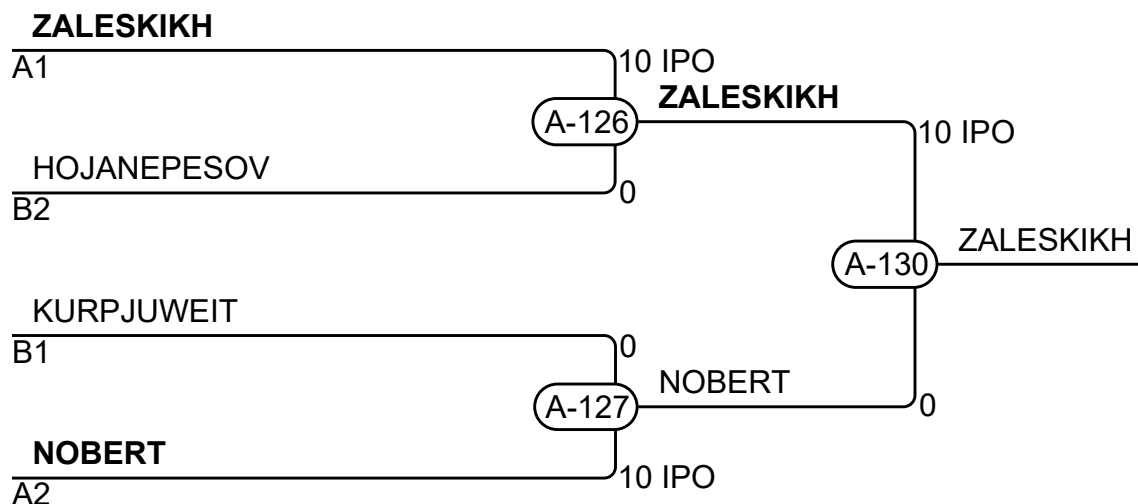
Match	White/Blanc	Blue/Bleu	Res/Rés	Tim/Tmp	Code
A-108	Ivan ZALESKIKH 1 2	Ethan DEEG	10 - 0	0:12	IPO
A-109	Owen HOOVER 3 4	Seth NOBERT	0 - 10	1:03	IPO
A-115	Ivan ZALESKIKH 1 3	Owen HOOVER	10 - 0	0:46	IPO
A-116	Ethan DEEG 2 4	Seth NOBERT	0 - 10	0:07	IPO
A-122	Ivan ZALESKIKH 1 4	Seth NOBERT	10 - 0	2:06	WIP
A-123	Ethan DEEG 2 3	Owen HOOVER	10 - 0	0:51	IPO

Competitors/Compétiteurs B

#	Name/Nom	Grade	Club	5	6	7	W/G	Pts	Pos
5	Osman HOJANEPESOV	1D	Kodokwai	XX	10		1	10	2
6	Tyson THORNTON	1D	Tokugawa		XX		0	0	3
7	Malakai KURPJUWEIT	Brown	Medicine Hat	10	10	XX	2	20	1

Pool B

Match	White/Blanc	Blue/Bleu	Res/Rés	Tim/Tmp	Code
A-110	Osman HOJANEPESOV 5 6	Tyson THORNTON	10 - 0	0:00	KIK
A-117	Osman HOJANEPESOV 5 7	Malakai KURPJUWEIT	0 - 10	0:41	IPO
A-124	Tyson THORNTON 6 7	Malakai KURPJUWEIT	0 - 10	0:00	KIK



Results/Résultats

Pos	Name/Nom
1	Ivan ZALESKIKH, St. Albert
2	Seth NOBERT, Kodokwai
3	Osman HOJANEPESOV, Kodokwai
3	Malakai KURPJUWEIT, Medicine Hat

SenMBB -81 kg

Competitors/Compétiteurs

#	Name/Nom	Grade	Club	1	2	3	W/G	Pts	Pos
1	Kyle CROWELL	1D	St. Albert	XX	10		1	0	2
2	Habib SAID MOHAMMAD	Brown	Kodokwai		XX	5	1	5	3
3	Munkhu BATBAYAR	Brown	Lethbridge	10		XX	1	10	1

Matches/Matches

Match	White/Blanc			Blue/Bleu	Res/Rés	Tim/Tmp	Code
B-108	Kyle CROWELL	1	2	Habib SAID MOHAMMAD	10 - 0	3:40	WIP
B-115	Kyle CROWELL	1	3	Munkhu BATBAYAR	0 - 10	3:39	HAN
B-122	Habib SAID MOHAMMAD	2	3	Munkhu BATBAYAR	5 - 0	4:00	WAZ

Results/Résultats

Pos	Name/Nom
1	Munkhu BATBAYAR, Lethbridge
3	Habib SAID MOHAMMAD, Kodokwai

SenMBB -90 kg

Competitors/Compétiteurs

#	Name/Nom	Grade	Club	1	2	1	2	1	2	W/G	Pts	Pos
1	Shane DAUPHINEE	Brown	Tolide	XX	10	XX	10	XX		2	20	1
2	Robin KURPJUWEIT	1D	Medicine Hat		XX		XX		XX	0	0	2

Matches/Matches

Match	White/Blanc			Blue/Bleu	Res/Rés	Tim/Tmp	Code
C-104	Shane DAUPHINEE	1	2	Robin KURPJUWEIT	10 - 0	2:58	IPO
C-111	Robin KURPJUWEIT	2	1	Shane DAUPHINEE	0 - 10	0:00	FUS
C-118	Shane DAUPHINEE	1	2	Robin KURPJUWEIT			

Results/Résultats

Pos	Name/Nom
1	Shane DAUPHINEE, Tolide

SenMYB -66 kg

Competitors/Compétiteurs

#	Name/Nom	Grade	Club	1	2	3	4	W/G	Pts	Pos
1	Matthew KWOK	Orange	Ishi Yama	XX		10		1	10	3
2	Billy-Joe BALDONADO	Green	Ishi Yama	10	XX	10	10	3	30	1
3	Terrance KOBES	Orange	Ryu Senshi			XX		0	0	4
4	Shamus RILEY	Blue	Kodokwai	10		10	XX	2	20	2

Matches/Matches

Match	White/Blanc			Blue/Bleu	Res/Rés	Tim/Tmp	Code
C-108	Matthew KWOK	1	2	Billy-Joe BALDONADO	0 - 10	0:34	IPO
C-109	Terrance KOBES	3	4	Shamus RILEY	0 - 10	0:44	WIP
C-115	Matthew KWOK	1	3	Terrance KOBES	10 - 0	2:44	WIP
C-116	Billy-Joe BALDONADO	2	4	Shamus RILEY	10 - 0	0:15	IPO
C-122	Matthew KWOK	1	4	Shamus RILEY	0 - 10	0:30	IPO
C-123	Billy-Joe BALDONADO	2	3	Terrance KOBES	10 - 0	0:44	WIP

Results/Résultats

Pos	Name/Nom
1	Billy-Joe BALDONADO, Ishi Yama
2	Shamus RILEY, Kodokwai
3	Matthew KWOK, Ishi Yama

SenMYB -73 kg

Competitors/Compétiteurs

#	Name/Nom	Grade	Club	1	2	1	2	1	2	W/G	Pts	Pos
1	Phillip UDMA	Blue	Kodokwai	XX	10	XX	10	XX		2	20	1
2	Dennis RALSTON	Orange	Tokugawa		XX		XX		XX	0	0	2

Matches/Matches

Match	White/Blanc			Blue/Bleu	Res/Rés	Tim/Tmp	Code
C-107	Phillip UDMA	1	2	Dennis RALSTON	10 - 0	0:54	IPO
C-114	Dennis RALSTON	2	1	Phillip UDMA	0 - 10	0:56	IPO
C-121	Phillip UDMA	1	2	Dennis RALSTON			

Results/Résultats

Pos	Name/Nom
1	Phillip UDMA, Kodokwai

SenMYB -81 kg

Competitors/Compétiteurs

#	Name/Nom	Grade	Club	1	2	3	4	W/G	Pts	Pos
1	Jason NEAL	Green	Tokugawa	XX	10	10		2	20	2
2	Justin SCHOENING	Yellow	Medicine Hat		XX			0	0	4
3	Eoin IVORY	Green	Airdrie		10	XX		1	10	3
4	Jeff DIESMOS	Orange	Hiro's	10	10	10	XX	3	30	1

Matches/Matches

Match	White/Blanc			Blue/Bleu	Res/Rés	Tim/Tmp	Code
A-106	Jason NEAL	1	2	Justin SCHOENING	10 - 0	0:38	IPO
A-107	Eoin IVORY	3	4	Jeff DIESMOS	0 - 10	1:24	IPO
A-113	Jason NEAL	1	3	Eoin IVORY	10 - 0	0:18	IPO
A-114	Justin SCHOENING	2	4	Jeff DIESMOS	0 - 10	0:22	IPO
A-120	Jason NEAL	1	4	Jeff DIESMOS	0 - 10	0:51	IPO
A-121	Justin SCHOENING	2	3	Eoin IVORY	0 - 10	2:50	IPO

Results/Résultats

Pos	Name/Nom
1	Jeff DIESMOS, Hiro's
2	Jason NEAL, Tokugawa
3	Eoin IVORY, Airdrie

SenMYB -90 kg

Competitors/Compétiteurs A

#	Name/Nom	Grade	Club	1	2	3	W/G	Pts	Pos
1	Ryan CHAMBERLAIN	Yellow	Hayabusa	XX		10	1	10	2
2	Roman KHORTIV	Blue	Tokugawa	10	XX	10	2	20	1
3	Levi STAFFORD	Orange	Medicine Hat			XX	0	0	3

Pool A

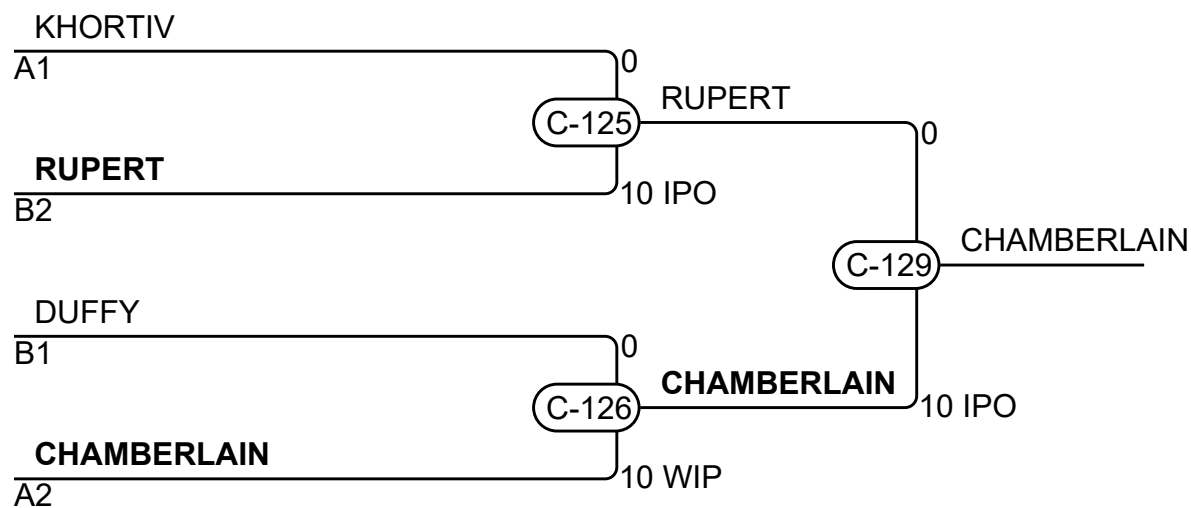
Match	White/Blanc			Blue/Bleu	Res/Rés	Tim/Tmp	Code
C-105	Ryan CHAMBERLAIN	1	2	Roman KHORTIV	0 - 10	2:12	IPO
C-112	Ryan CHAMBERLAIN	1	3	Levi STAFFORD	10 - 0	1:30	IPO
C-119	Roman KHORTIV	2	3	Levi STAFFORD	10 - 0	0:56	IPO

Competitors/Compétiteurs B

#	Name/Nom	Grade	Club	4	5	6	W/G	Pts	Pos
4	Owen DUFFY	Blue	Medicine Hat	XX	10	10	2	20	1
5	Daniel SOKOLOWSKI	Yellow	Hayabusa		XX		0	0	3
6	Danny RUPERT	Green	Tolide		10	XX	1	10	2

Pool B

Match	White/Blanc			Blue/Bleu	Res/Rés	Tim/Tmp	Code
C-106	Owen DUFFY	4	5	Daniel SOKOLOWSKI	10 - 0	0:58	IPO
C-113	Owen DUFFY	4	6	Danny RUPERT	10 - 0	4:00	WIP
C-120	Daniel SOKOLOWSKI	5	6	Danny RUPERT	0 - 10	1:01	IPO



Results/Résultats

Pos	Name/Nom
1	Ryan CHAMBERLAIN, Hayabusa
2	Danny RUPERT, Tolide
3	Roman KHORTIV, Tokugawa
3	Owen DUFFY, Medicine Hat

SenMYB +100 kg

Competitors/Compétiteurs

#	Name/Nom	Grade	Club	1	2	3	W/G	Pts	Pos
1	Bobby HRYNIW	Green	Tolide	XX	10		1	10	2
2	Timmy MACDONALD	Green	U of A		XX		0	0	3
3	Jordan ADAMS	Blue	Hoku Sei Kan	10	5	XX	2	15	1

Matches/Matches

Match	White/Blanc			Blue/Bleu	Res/Rés	Tim/Tmp	Code
A-105	Bobby HRYNIW	1	2	Timmy MACDONALD	10 - 0	1:42	IPO
A-112	Bobby HRYNIW	1	3	Jordan ADAMS	0 - 10	1:01	IPO
A-119	Timmy MACDONALD	2	3	Jordan ADAMS	0 - 5	0:14	WAZ

Results/Résultats

Pos	Name/Nom
1	Jordan ADAMS, Hoku Sei Kan
2	Bobby HRYNIW, Tolide

U10F Group 1

Competitors/Compétiteurs

#	Name/Nom	Grade	Club	1	2	3	4	W/G	Pts	Pos
1	Jill BOESE	Yellow	Tokugawa	XX	2	2	2	3	6	1
2	Melania MOMOT	Orange	Hoku Sei Kan		XX		2	1	2	3
3	Ava KOBES	Yellow	Ryu Senshi		2	XX	10	2	12	2
4	Sara MANDRUSIAK	Yellow	Tolide				XX	0	0	4

Matches/Matches

Match	White/Blanc			Blue/Bleu	Res/Rés	Tim/Tmp	Code
A-1	Jill BOESE	1	2	Melania MOMOT	2 - 0	1:01	
A-2	Ava KOBES	3	4	Sara MANDRUSIAK	10 - 0	0:00	IPO
A-9	Jill BOESE	1	3	Ava KOBES	2 - 0	0:01	
A-10	Melania MOMOT	2	4	Sara MANDRUSIAK	2 - 0	0:00	
A-15	Jill BOESE	1	4	Sara MANDRUSIAK	2 - 0	1:42	
A-16	Melania MOMOT	2	3	Ava KOBES	0 - 2	2:00	

Results/Résultats

Pos	Name/Nom
1	Jill BOESE, Tokugawa
2	Ava KOBES, Ryu Senshi
3	Melania MOMOT, Hoku Sei Kan

U10F Group 2

Competitors/Compétiteurs

#	Name/Nom	Grade	Club	1	2	3	W/G	Pts	Pos
1	Chloe MILLAR	Yellow	Ryu Senshi	XX	2	2	2	4	1
2	Kahnle SHOPLAND	Yellow	Ni-Ten		XX	2	1	2	2
3	Chloe LESSARD	Yellow	Tolide			XX	0	0	3

Matches/Matches

Match	White/Blanc			Blue/Bleu	Res/Rés	Tim/Tmp	Code
A-5	Chloe MILLAR	1	2	Kahnle SHOPLAND	2 - 0	0:00	
A-11	Chloe MILLAR	1	3	Chloe LESSARD	2 - 0	2:00	
A-17	Kahnle SHOPLAND	2	3	Chloe LESSARD	2 - 0	2:00	

Results/Résultats

Pos	Name/Nom
1	Chloe MILLAR, Ryu Senshi
2	Kahnle SHOPLAND, Ni-Ten

U10F Group 3

Competitors/Compétiteurs

#	Name/Nom	Grade	Club	1	2	3	4	W/G	Pts	Pos
1	Sarah LEONARDI	Yellow	Ni-Ten	XX	2	2	2	3	6	1
2	Kerra CAMPBELL-KILBORN	Yellow	Ni-Ten		XX	2	2	2	4	2
3	Lyla POHL	Yellow	Ryu Senshi			XX	2	1	2	3
4	Avery-Marie LESSARD	Yellow	Tolide				XX	0	0	4

Matches/Matches

Match	White/Blanc			Blue/Bleu	Res/Rés	Tim/Tmp	Code
C-3	Sarah LEONARDI	1	2	Kerra CAMPBELL-KILBORN	2 - 0	2:00	
C-4	Lyla POHL	3	4	Avery-Marie LESSARD	2 - 0	2:00	
C-7	Sarah LEONARDI	1	3	Lyla POHL	2 - 0	2:00	
C-8	Kerra CAMPBELL-KILBORN	2	4	Avery-Marie LESSARD	2 - 0	0:00	
C-13	Sarah LEONARDI	1	4	Avery-Marie LESSARD	2 - 0	2:00	
C-14	Kerra CAMPBELL-KILBORN	2	3	Lyla POHL	2 - 0	2:00	

Results/Résultats

Pos	Name/Nom
1	Sarah LEONARDI, Ni-Ten
2	Kerra CAMPBELL-KILBORN, Ni-Ten
3	Lyla POHL, Ryu Senshi

U10F Group 4

Competitors/Compétiteurs

#	Name/Nom	Grade	Club	1	2	3	4	W/G	Pts	Pos
1	Talia ETBAIL	Yellow	Kodokwai	XX	2		2	2	4	2
2	Alexis CRAEVOI	Yellow	Kodokwai		XX		10	1	10	3
3	Veronica NICA	Yellow	Ni-Ten	2	2	XX	2	3	6	1
4	Aspen BJARNASON	Yellow	Ni-Ten				XX	0	0	4

Matches/Matches

Match	White/Blanc			Blue/Bleu	Res/Rés	Tim/Tmp	Code
A-3	Talia ETBAIL	1	2	Alexis CRAEVOI	2 - 0	0:00	
A-4	Veronica NICA	3	4	Aspen BJARNASON	2 - 0	2:00	
A-7	Talia ETBAIL	1	3	Veronica NICA	0 - 2	2:00	
A-8	Alexis CRAEVOI	2	4	Aspen BJARNASON	10 - 0	0:00	IPO
A-13	Talia ETBAIL	1	4	Aspen BJARNASON	2 - 0	2:00	
A-14	Alexis CRAEVOI	2	3	Veronica NICA	0 - 2	2:00	

Results/Résultats

Pos	Name/Nom
1	Veronica NICA, Ni-Ten
2	Talia ETBAIL, Kodokwai
3	Alexis CRAEVOI, Kodokwai

U10M Group 1

Competitors/Compétiteurs

#	Name/Nom	Grade	Club	1	2	3	4	W/G	Pts	Pos
1	Luke DOBSON	Yellow	Hiro's	XX	2	2	10	3	14	1
2	Ryan LORENZ	Yellow	St. Albert		XX	10	2	2	12	2
3	Ross FERGUSON	Yellow	Hoku Sei Kan			XX	2	1	2	3
4	Erik ROTH	Yellow	Airdrie				XX	0	0	4

Matches/Matches

Match	White/Blanc			Blue/Bleu	Res/Rés	Tim/Tmp	Code
B-1	Luke DOBSON	1	2	Ryan LORENZ	2 - 0	2:00	
B-2	Ross FERGUSON	3	4	Erik ROTH	2 - 0	2:00	
B-11	Luke DOBSON	1	3	Ross FERGUSON	2 - 0	2:00	
B-12	Ryan LORENZ	2	4	Erik ROTH	2 - 0	2:00	
B-17	Luke DOBSON	1	4	Erik ROTH	10 - 0	2:00	IPO
B-18	Ryan LORENZ	2	3	Ross FERGUSON	10 - 0	2:00	IPO

Results/Résultats

Pos	Name/Nom
1	Luke DOBSON, Hiro's
2	Ryan LORENZ, St. Albert
3	Ross FERGUSON, Hoku Sei Kan

U10M Group 2

Competitors/Compétiteurs

#	Name/Nom	Grade	Club	1	2	3	4	W/G	Pts	Pos
1	Daniel HORBUSHKO	Yellow	Red Deer	XX	2	2	2	3	6	1
2	Daniel ZALESKIKH	Yellow	St. Albert		XX	2	2	2	4	2
3	Theon THOMPSON	Yellow	Airdrie			XX	2	1	2	3
4	Greyson HANTKE	Yellow	Lethbridge				XX	0	0	4

Matches/Matches

Match	White/Blanc			Blue/Bleu	Res/Rés	Tim/Tmp	Code
C-1	Daniel HORBUSHKO	1	2	Daniel ZALESKIKH	2 - 0	0:00	
C-2	Theon THOMPSON	3	4	Greyson HANTKE	2 - 0	0:00	
C-11	Daniel HORBUSHKO	1	3	Theon THOMPSON	2 - 0	0:00	
C-12	Daniel ZALESKIKH	2	4	Greyson HANTKE	2 - 0	2:00	
C-17	Daniel HORBUSHKO	1	4	Greyson HANTKE	2 - 0	0:00	
C-18	Daniel ZALESKIKH	2	3	Theon THOMPSON	2 - 0	2:00	

Results/Résultats

Pos	Name/Nom
1	Daniel HORBUSHKO, Red Deer
2	Daniel ZALESKIKH, St. Albert
3	Theon THOMPSON, Airdrie

U10M Group 3

Competitors/Compétiteurs

#	Name/Nom	Grade	Club	1	2	3	4	W/G	Pts	Pos
1	Reed JOHNSON	Yellow	Tolide	XX	2	2	2	3	6	1
2	Cash TURNER	Yellow	Red Deer		XX	10	2	2	12	2
3	Austin BORAS	Yellow	Lethbridge			XX	2	1	2	3
4	Lucas BRESSAN	Yellow	Ni-Ten				XX	0	0	4

Matches/Matches

Match	White/Blanc			Blue/Bleu	Res/Rés	Tim/Tmp	Code
B-3	Reed JOHNSON	1	2	Cash TURNER	2 - 0	2:00	
B-4	Austin BORAS	3	4	Lucas BRESSAN	2 - 0	2:00	
B-7	Reed JOHNSON	1	3	Austin BORAS	2 - 0	2:00	
B-8	Cash TURNER	2	4	Lucas BRESSAN	2 - 0	0:00	
B-13	Reed JOHNSON	1	4	Lucas BRESSAN	2 - 0	2:00	
B-14	Cash TURNER	2	3	Austin BORAS	10 - 0	2:00	IPO

Results/Résultats

Pos	Name/Nom
1	Reed JOHNSON, Tolide
2	Cash TURNER, Red Deer
3	Austin BORAS, Lethbridge

U10M Group 4

Competitors/Compétiteurs

#	Name/Nom	Grade	Club	1	2	3	4	W/G	Pts	Pos
1	Finley MARSHALL	Yellow	Tolide	XX	2	2	10	3	14	1
2	Greyson REID	Yellow	St. Albert		XX	10	2	2	12	2
3	Ryan DILIO	Yellow	Kodokwai			XX	2	1	2	3
4	Chino DIESMOS	Yellow	Hiro's				XX	0	0	4

Matches/Matches

Match	White/Blanc			Blue/Bleu	Res/Rés	Tim/Tmp	Code
B-5	Finley MARSHALL	1	2	Greyson REID	2 - 0	2:00	
B-6	Ryan DILIO	3	4	Chino DIESMOS	2 - 0	1:35	
B-9	Finley MARSHALL	1	3	Ryan DILIO	2 - 0	0:00	
B-10	Greyson REID	2	4	Chino DIESMOS	2 - 0	2:00	
B-15	Finley MARSHALL	1	4	Chino DIESMOS	10 - 0	2:00	IPO
B-16	Greyson REID	2	3	Ryan DILIO	10 - 0	2:00	IPO

Results/Résultats

Pos	Name/Nom
1	Finley MARSHALL, Tolide
2	Greyson REID, St. Albert
3	Ryan DILIO, Kodokwai

U10M Group 5

Competitors/Compétiteurs

#	Name/Nom	Grade	Club	1	2	3	W/G	Pts	Pos
1	Easton HILLIER	Yellow	Ni-Ten	XX	2	2	2	4	1
2	Mason SINCLAIR	Yellow	St. Albert		XX	2	1	2	2
3	Edrik CLAMPITT	Yellow	Kodokwai			XX	0	0	3

Matches/Matches

Match	White/Blanc			Blue/Bleu	Res/Rés	Tim/Tmp	Code
C-5	Easton HILLIER	1	2	Mason SINCLAIR	2 - 0	2:00	
C-9	Easton HILLIER	1	3	Edrik CLAMPITT	2 - 0	0:00	
C-15	Mason SINCLAIR	2	3	Edrik CLAMPITT	2 - 0	0:00	

Results/Résultats

Pos	Name/Nom
1	Easton HILLIER, Ni-Ten
2	Mason SINCLAIR, St. Albert

U10M Group 6

Competitors/Compétiteurs

#	Name/Nom	Grade	Club	1	2	3	W/G	Pts	Pos
1	Caleb DAUPHINEE	Yellow	Tolide	XX	2	2	2	4	1
2	Elliott OBERY	Yellow	Airdrie		XX	10	1	10	2
3	Atticus MCALPINE	Yellow	Medicine Hat			XX	0	0	3

Matches/Matches

Match	White/Blanc			Blue/Bleu	Res/Rés	Tim/Tmp	Code
A-6	Caleb DAUPHINEE	1	2	Elliott OBERY	2 - 0	0:00	
A-12	Caleb DAUPHINEE	1	3	Atticus MCALPINE	2 - 0	2:00	
A-18	Elliott OBERY	2	3	Atticus MCALPINE	10 - 0	0:00	IPO

Results/Résultats

Pos	Name/Nom
1	Caleb DAUPHINEE, Tolide
2	Elliott OBERY, Airdrie

U10M Group 7

Competitors/Compétiteurs

#	Name/Nom	Grade	Club	1	2	1	2	1	2	W/G	Pts	Pos
1	Roman MACHATTIE	Yellow	Tolide	XX	2	XX		XX	2	2	4	1
2	Adam ELHEGAZY	Orange	Kodokwai		XX	2	XX		XX	1	2	2

Matches/Matches

Match	White/Blanc			Blue/Bleu	Res/Rés	Tim/Tmp	Code
C-6	Roman MACHATTIE	1	2	Adam ELHEGAZY	2 - 0	2:00	
C-10	Adam ELHEGAZY	2	1	Roman MACHATTIE	2 - 0	2:00	
C-16	Roman MACHATTIE	1	2	Adam ELHEGAZY	2 - 0	0:00	

Results/Résultats

Pos	Name/Nom
1	Roman MACHATTIE, Tolide
2	Adam ELHEGAZY, Kodokwai

U12 Group 10

Competitors/Compétiteurs

#	Name/Nom	Grade	Club	1	2	1	2	1	2	W/G	Pts	Pos
1	Kalena WARKENTIN	Yellow	Hoku Sei Kan	XX		XX		XX		0	0	2
2	Wesam ADDALI	Yellow	Kodokwai	1	XX	5	XX		XX	2	6	1

Matches/Matches

Match	White/Blanc			Blue/Bleu	Res/Rés	Tim/Tmp	Code
C-19	Kalena WARKENTIN	1	2	Wesam ADDALI	0 - 1	2:00	YUS
C-26	Wesam ADDALI	2	1	Kalena WARKENTIN	5 - 0	2:00	WAZ
C-33	Kalena WARKENTIN	1	2	Wesam ADDALI			

Results/Résultats

Pos	Name/Nom
1	Wesam ADDALI, Kodokwai

U12F Group 1

Competitors/Compétiteurs

#	Name/Nom	Grade	Club	1	2	3	4	W/G	Pts	Pos
1	Alexis ROTH	Yellow	Airdrie	XX	10	10	10	3	30	1
2	Neveah THOMPSON	Yellow	Airdrie		XX	5		1	5	3
3	Maizey TREMBLAY	Yellow	Ryu Senshi			XX		0	0	4
4	Kaylynn WHITE	Yellow	Tolide		10	10	XX	2	20	2

Matches/Matches

Match	White/Blanc			Blue/Bleu	Res/Rés	Tim/Tmp	Code
B-25	Alexis ROTH	1	2	Neveah THOMPSON	10 - 0	0:31	IPO
B-26	Maizey TREMBLAY	3	4	Kaylynn WHITE	0 - 10	1:54	IPO
B-33	Alexis ROTH	1	3	Maizey TREMBLAY	10 - 0	0:29	IPO
B-34	Neveah THOMPSON	2	4	Kaylynn WHITE	0 - 10	0:12	IPO
B-41	Alexis ROTH	1	4	Kaylynn WHITE	10 - 0	2:00	IPO
B-42	Neveah THOMPSON	2	3	Maizey TREMBLAY	5 - 0	2:00	WAZ

Results/Résultats

Pos	Name/Nom
1	Alexis ROTH, Airdrie
2	Kaylynn WHITE, Tolide
3	Neveah THOMPSON, Airdrie

U12F Group 2

Competitors/Compétiteurs

#	Name/Nom	Grade	Club	1	2	3	4	W/G	Pts	Pos
1	Jenna FERGUSON	Yellow	Hoku Sei Kan	XX				0	0	4
2	Sapphire IVESON	Yellow	Hoku Sei Kan	2	XX		5	2	7	2
3	Lexie SOILAND	Orange	Airdrie	10	10	XX	10	3	30	1
4	Greta DENIE	Yellow	Barracuda	10			XX	1	10	3

Matches/Matches

Match	White/Blanc			Blue/Bleu	Res/Rés	Tim/Tmp	Code
C-21	Jenna FERGUSON	1	2	Sapphire IVESON	0 - 2	0:11	
C-22	Lexie SOILAND	3	4	Greta DENIE	10 - 0	2:00	IPO
C-28	Jenna FERGUSON	1	3	Lexie SOILAND	0 - 10	1:14	WIP
C-29	Sapphire IVESON	2	4	Greta DENIE	5 - 0	2:00	WAZ
C-35	Jenna FERGUSON	1	4	Greta DENIE	0 - 10	1:06	WIP
C-36	Sapphire IVESON	2	3	Lexie SOILAND	0 - 10	2:00	IPO

Results/Résultats

Pos	Name/Nom
1	Lexie SOILAND, Airdrie
2	Sapphire IVESON, Hoku Sei Kan
3	Greta DENIE, Barracuda

U12F Group 3

Competitors/Compétiteurs

#	Name/Nom	Grade	Club	1	2	3	W/G	Pts	Pos
1	Miya CALVERT	Orange	Kodokwai	XX			0	0	3
2	Scarlette TAYLOR-ARCON	Yellow	Kodokwai	2	XX	1	2	3	1
3	Nora HALLIWELL	Orange	Medicine Hat	10		XX	1	10	2

Matches/Matches

Match	White/Blanc			Blue/Bleu	Res/Rés	Tim/Tmp	Code
C-20	Miya CALVERT	1	2	Scarlette TAYLOR-ARCON	0 - 2	1:29	
C-27	Miya CALVERT	1	3	Nora HALLIWELL	0 - 10	1:48	WIP
C-34	Scarlette TAYLOR-ARCON	2	3	Nora HALLIWELL	1 - 0	2:00	FUS

Results/Résultats

Pos	Name/Nom
1	Scarlette TAYLOR-ARCON, Kodokwai
2	Nora HALLIWELL, Medicine Hat

U12M Group 1

Competitors/Compétiteurs

#	Name/Nom	Grade	Club	1	2	3	4	W/G	Pts	Pos
1	Knox KILPATRICK	Orange	Red Deer	XX				0	0	3
2	Shain Jr. SYER	Yellow	Airdrie	10	XX		10	2	20	2
3	Mikhail PROTASIWICH	Yellow	Kodokwai	10	10	XX	10	3	30	1
4	Tao NEWHOOK	Yellow	Airdrie				XX	0	0	4

Matches/Matches

Match	White/Blanc			Blue/Bleu	Res/Rés	Tim/Tmp	Code
A-25	Knox KILPATRICK	1	2	Shain Jr. SYER	0 - 10	0:00	FUS
A-26	Mikhail PROTASIWICH	3	4	Tao NEWHOOK	10 - 0	0:00	FUS
A-33	Knox KILPATRICK	1	3	Mikhail PROTASIWICH	0 - 10	0:00	FUS
A-34	Shain Jr. SYER	2	4	Tao NEWHOOK	10 - 0	0:00	FUS
A-41	Knox KILPATRICK	1	4	Tao NEWHOOK	0 - 0	0:00	---
A-42	Shain Jr. SYER	2	3	Mikhail PROTASIWICH	0 - 10	0:00	IPO

Results/Résultats

Pos	Name/Nom
1	Mikhail PROTASIWICH, Kodokwai
2	Shain Jr. SYER, Airdrie

U12M Group 2

Competitors/Compétiteurs

#	Name/Nom	Grade	Club	1	2	3	4	W/G	Pts	Pos
1	Eric WILCZEK	Orange	Hiro's	XX	10	10		2	20	2
2	Victor VERBITSKY	Orange	Kodokwai		XX	10	10	2	20	3
3	Maksym HORBUSHKO	Yellow	Red Deer			XX		0	0	4
4	Matthew SIMMS	Orange	Airdrie	10		10	XX	2	20	1

Matches/Matches

Match	White/Blanc			Blue/Bleu	Res/Rés	Tim/Tmp	Code
A-23	Eric WILCZEK	1	2	Victor VERBITSKY	10 - 0	1:11	IPO
A-24	Maksym HORBUSHKO	3	4	Matthew SIMMS	0 - 10	0:00	FUS
A-31	Eric WILCZEK	1	3	Maksym HORBUSHKO	10 - 0	0:00	FUS
A-32	Victor VERBITSKY	2	4	Matthew SIMMS	10 - 0	1:41	IPO
A-39	Eric WILCZEK	1	4	Matthew SIMMS	0 - 10	0:29	IPO
A-40	Victor VERBITSKY	2	3	Maksym HORBUSHKO	10 - 0	0:00	FUS

Results/Résultats

Pos	Name/Nom
1	Matthew SIMMS, Airdrie
1	Eric WILCZEK, Hiro's
1	Victor VERBITSKY, Kodokwai

U12M Group 3

Competitors/Compétiteurs

#	Name/Nom	Grade	Club	1	2	3	4	W/G	Pts	Pos
1	Szymon OTTOWICZ	Yellow	St. Albert	XX	10	10		2	20	2
2	Grant LORENZ	Yellow	St. Albert		XX	10		1	10	3
3	Simon COUILLARD	Yellow	Tokugawa			XX		0	0	4
4	Mykyta MUSIIENKO	Orange	Hiro's	10	10	10	XX	3	30	1

Matches/Matches

Match	White/Blanc			Blue/Bleu	Res/Rés	Tim/Tmp	Code
B-21	Szymon OTTOWICZ	1	2	Grant LORENZ	10 - 0	1:33	IPO
B-22	Simon COUILLARD	3	4	Mykyta MUSIIENKO	0 - 10	0:34	WIP
B-29	Szymon OTTOWICZ	1	3	Simon COUILLARD	10 - 0	0:56	WIP
B-30	Grant LORENZ	2	4	Mykyta MUSIIENKO	0 - 10	1:25	WIP
B-37	Szymon OTTOWICZ	1	4	Mykyta MUSIIENKO	0 - 10	0:48	IPO
B-38	Grant LORENZ	2	3	Simon COUILLARD	10 - 0	1:56	WIP

Results/Résultats

Pos	Name/Nom
1	Mykyta MUSIIENKO, Hiro's
2	Szymon OTTOWICZ, St. Albert
3	Grant LORENZ, St. Albert

U12M Group 4

Competitors/Compétiteurs

#	Name/Nom	Grade	Club	1	2	3	4	W/G	Pts	Pos
1	Ethan MARALLI	Yellow	Ni-Ten	XX	10		10	2	20	2
2	Clark BOESE	Yellow	Tokugawa		XX		10	1	10	3
3	Mikhailo MUSIIENKO	Orange	Hiro's	10	10	XX	10	3	30	1
4	Kaden WARKENTIN	Yellow	Hoku Sei Kan				XX	0	0	4

Matches/Matches

Match	White/Blanc			Blue/Bleu	Res/Rés	Tim/Tmp	Code
A-21	Ethan MARALLI	1	2	Clark BOESE	10 - 0	1:54	IPO
A-22	Mikhailo MUSIIENKO	3	4	Kaden WARKENTIN	10 - 0	0:00	FUS
A-29	Ethan MARALLI	1	3	Mikhailo MUSIIENKO	0 - 10	1:04	WIP
A-30	Clark BOESE	2	4	Kaden WARKENTIN	10 - 0	0:00	FUS
A-37	Ethan MARALLI	1	4	Kaden WARKENTIN	10 - 0	0:00	FUS
A-38	Clark BOESE	2	3	Mikhailo MUSIIENKO	0 - 10	2:00	IPO

Results/Résultats

Pos	Name/Nom
1	Mikhailo MUSIIENKO, Hiro's
2	Ethan MARALLI, Ni-Ten
3	Clark BOESE, Tokugawa

U12M Group 5

Competitors/Compétiteurs

#	Name/Nom	Grade	Club	1	2	3	4	W/G	Pts	Pos
1	Dextin MARTIN	Yellow	Tolide	XX		10		1	10	3
2	Maksym TARASENKO	Orange	Ishi Yama	10	XX	10	5	3	25	1
3	Devon FREDINE	Yellow	Airdrie			XX		0	0	4
4	Joseph VERE	Orange	Medicine Hat	10		10	XX	2	20	2

Matches/Matches

Match	White/Blanc			Blue/Bleu	Res/Rés	Tim/Tmp	Code
B-23	Dextin MARTIN	1	2	Maksym TARASENKO	0 - 10	0:03	IPO
B-24	Devon FREDINE	3	4	Joseph VERE	0 - 10	0:00	FUS
B-31	Dextin MARTIN	1	3	Devon FREDINE	10 - 0	0:00	FUS
B-32	Maksym TARASENKO	2	4	Joseph VERE	5 - 0	2:00	WAZ
B-39	Dextin MARTIN	1	4	Joseph VERE	0 - 10	1:48	WIP
B-40	Maksym TARASENKO	2	3	Devon FREDINE	10 - 0	0:00	FUS

Results/Résultats

Pos	Name/Nom
1	Maksym TARASENKO, Ishi Yama
2	Joseph VERE, Medicine Hat
3	Dextin MARTIN, Tolide

U12M Group 6

Competitors/Compétiteurs

#	Name/Nom	Grade	Club	1	2	3	4	W/G	Pts	Pos
1	Andrii KHORTIV	Orange	Tokugawa	XX	10	10	10	3	30	1
2	Lorenzo HEBER	Green	Tokugawa		XX	10	10	2	20	2
3	Andrey SOKOLOV	Yellow	Kodokwai			XX		0	0	4
4	Brogan RATCLIFFE	Yellow	Kodokwai			10	XX	1	10	3

Matches/Matches

Match	White/Blanc			Blue/Bleu	Res/Rés	Tim/Tmp	Code
C-23	Andrii KHORTIV	1	2	Lorenzo HEBER	10 - 0	0:46	WIP
C-24	Andrey SOKOLOV	3	4	Brogan RATCLIFFE	0 - 10	0:00	IPO
C-30	Andrii KHORTIV	1	3	Andrey SOKOLOV	10 - 0	0:00	KIK
C-31	Lorenzo HEBER	2	4	Brogan RATCLIFFE	10 - 0	0:36	IPO
C-37	Andrii KHORTIV	1	4	Brogan RATCLIFFE	10 - 0	0:11	IPO
C-38	Lorenzo HEBER	2	3	Andrey SOKOLOV	10 - 0	0:00	FUS

Results/Résultats

Pos	Name/Nom
1	Andrii KHORTIV, Tokugawa
2	Lorenzo HEBER, Tokugawa
3	Brogan RATCLIFFE, Kodokwai

U12M Group 7

Competitors/Compétiteurs

#	Name/Nom	Grade	Club	1	2	3	4	W/G	Pts	Pos
1	Elliot JEFFERY	Orange	Tolide	XX	10		5	2	15	2
2	Dominic MACHATTIE	Yellow	Tolide		XX			0	0	4
3	Knox KILPATRICK	Orange	Red Deer	10	10	XX	10	3	30	1
4	David ALIZADA	Yellow	Tokugawa		10		XX	1	10	3

Matches/Matches

Match	White/Blanc			Blue/Bleu	Res/Rés	Tim/Tmp	Code
A-19	Elliot JEFFERY	1	2	Dominic MACHATTIE	10 - 0	1:10	IPO
A-20	Knox KILPATRICK	3	4	David ALIZADA	10 - 0	0:32	IPO
A-27	Elliot JEFFERY	1	3	Knox KILPATRICK	0 - 10	0:41	WIP
A-28	Dominic MACHATTIE	2	4	David ALIZADA	0 - 10	0:18	IPO
A-35	Elliot JEFFERY	1	4	David ALIZADA	5 - 0	2:00	WAZ
A-36	Dominic MACHATTIE	2	3	Knox KILPATRICK	0 - 10	0:31	IPO

Results/Résultats

Pos	Name/Nom
1	Knox KILPATRICK, Red Deer
2	Elliot JEFFERY, Tolide
3	David ALIZADA, Tokugawa

U12M Group 8

Competitors/Compétiteurs

#	Name/Nom	Grade	Club	1	2	3	4	W/G	Pts	Pos
1	Bryce BLAKE	Yellow	Hoku Sei Kan	XX	10			1	10	3
2	Wyatt KOOISTRA	Yellow	Ni-Ten		XX			0	0	4
3	Nate TURNER	Orange	Red Deer	10	10	XX		2	20	2
4	Brandon BORAS	Orange	Lethbridge	10	10	10	XX	3	30	1

Matches/Matches

Match	White/Blanc			Blue/Bleu	Res/Rés	Tim/Tmp	Code
B-19	Bryce BLAKE	1	2	Wyatt KOOISTRA	10 - 0	1:46	IPO
B-20	Nate TURNER	3	4	Brandon BORAS	0 - 10	1:37	IPO
B-27	Bryce BLAKE	1	3	Nate TURNER	0 - 10	0:43	WIP
B-28	Wyatt KOOISTRA	2	4	Brandon BORAS	0 - 10	0:05	IPO
B-35	Bryce BLAKE	1	4	Brandon BORAS	0 - 10	0:56	WIP
B-36	Wyatt KOOISTRA	2	3	Nate TURNER	0 - 10	0:00	FUS

Results/Résultats

Pos	Name/Nom
1	Brandon BORAS, Lethbridge
2	Nate TURNER, Red Deer
3	Bryce BLAKE, Hoku Sei Kan

U12M Group 9

Competitors/Compétiteurs

#	Name/Nom	Grade	Club	1	2	3	W/G	Pts	Pos
1	Bryce NIELSEN	Yellow	Airdrie	XX			0	0	3
2	Jasper STOBBE	Yellow	Tolide	10	XX		1	10	2
3	Connor MAY	Yellow	Tokugawa	10	10	XX	2	20	1

Matches/Matches

Match	White/Blanc			Blue/Bleu	Res/Rés	Tim/Tmp	Code
C-25	Bryce NIELSEN	1	2	Jasper STOBBE	0 - 10	0:44	IPO
C-32	Bryce NIELSEN	1	3	Connor MAY	0 - 10	0:34	WIP
C-39	Jasper STOBBE	2	3	Connor MAY	0 - 10	2:00	IPO

Results/Résultats

Pos	Name/Nom
1	Connor MAY, Tokugawa
2	Jasper STOBBE, Tolide

U14F -36 kg

Competitors/Compétiteurs

#	Name/Nom	Grade	Club	1	2	3	4	5	W/G	Pts	Pos
1	Brooklyn SEEMAN	Green	Lethbridge	XX	10	10	5	10	4	35	1
2	Kate BOESE	Orange	Tokugawa		XX	10			1	10	4
3	Eileigh KINLEY	Orange	Airdrie			XX			0	0	5
4	Irma LEUS	Orange	Kodokwai		10	5	XX		2	15	3
5	Mataija PROTASIWICH	Orange	Kodokwai		10	10	10	XX	3	30	2

Matches/Matches

Match	White/Blanc			Blue/Bleu	Res/Rés	Tim/Tmp	Code
C-40	Irma LEUS	4	5	Mataija PROTASIWICH	0 - 10	0:19	IPO
C-41	Brooklyn SEEMAN	1	2	Kate BOESE	10 - 0	0:42	IPO
C-42	Eileigh KINLEY	3	4	Irma LEUS	0 - 5	3:00	WAZ
C-43	Brooklyn SEEMAN	1	5	Mataija PROTASIWICH	10 - 0	3:00	IPO
C-46	Kate BOESE	2	3	Eileigh KINLEY	10 - 0	1:44	WIP
C-47	Brooklyn SEEMAN	1	4	Irma LEUS	5 - 0	3:00	WAZ
C-52	Eileigh KINLEY	3	5	Mataija PROTASIWICH	0 - 10	0:46	WIP
C-53	Kate BOESE	2	4	Irma LEUS	0 - 10	2:19	IPO
C-58	Brooklyn SEEMAN	1	3	Eileigh KINLEY	10 - 0	0:44	IPO
C-59	Kate BOESE	2	5	Mataija PROTASIWICH	0 - 10	0:09	IPO

Results/Résultats

Pos	Name/Nom
1	Brooklyn SEEMAN, Lethbridge
2	Mataija PROTASIWICH, Kodokwai
3	Irma LEUS, Kodokwai
4	Kate BOESE, Tokugawa

U14F -48 kg

Competitors/Compétiteurs

#	Name/Nom	Grade	Club	1	2	3	4	W/G	Pts	Pos
1	Presley TOMPKINS	Green	Lethbridge	XX	10	10	10	3	30	1
2	Lexi TORRANCE	Orange	Lethbridge		XX	10	10	2	20	2
3	Charlotte LORENZ	Yellow	St. Albert			XX		0	0	4
4	Nora DENIE	Orange	Barracuda			10	XX	1	10	3

Matches/Matches

Match	White/Blanc			Blue/Bleu	Res/Rés	Tim/Tmp	Code
A-51	Presley TOMPKINS	1	2	Lexi TORRANCE	10 - 0	0:56	WIP
A-52	Charlotte LORENZ	3	4	Nora DENIE	0 - 10	0:56	IPO
A-55	Presley TOMPKINS	1	3	Charlotte LORENZ	10 - 0	0:09	IPO
A-56	Lexi TORRANCE	2	4	Nora DENIE	10 - 0	1:21	WIP
A-61	Presley TOMPKINS	1	4	Nora DENIE	10 - 0	0:49	IPO
A-62	Lexi TORRANCE	2	3	Charlotte LORENZ	10 - 0	1:56	WIP

Results/Résultats

Pos	Name/Nom
1	Presley TOMPKINS, Lethbridge
2	Lexi TORRANCE, Lethbridge
3	Nora DENIE, Barracuda

U14F -52 kg

Competitors/Compétiteurs

#	Name/Nom	Grade	Club	1	2	3	4	W/G	Pts	Pos
1	Peyton KOOISTRA	Yellow	Ni-Ten	XX	10	10	10	3	30	1
2	Mariya MOMOT	Orange	Hoku Sei Kan		XX			0	0	4
3	Eilidh MORRISON	Orange	Ishi Yama		10	XX		1	10	3
4	Yumi CALVERT	Green	Kodokwai		5	10	XX	2	15	2

Matches/Matches

Match	White/Blanc			Blue/Bleu	Res/Rés	Tim/Tmp	Code
C-48	Peyton KOOISTRA	1	2	Mariya MOMOT	10 - 0	0:32	WIP
C-49	Eilidh MORRISON	3	4	Yumi CALVERT	0 - 10	3:00	IPO
C-54	Peyton KOOISTRA	1	3	Eilidh MORRISON	10 - 0	1:28	IPO
C-55	Mariya MOMOT	2	4	Yumi CALVERT	0 - 5	3:00	WAZ
C-60	Peyton KOOISTRA	1	4	Yumi CALVERT	10 - 0	0:46	IPO
C-61	Mariya MOMOT	2	3	Eilidh MORRISON	0 - 10	0:19	IPO

Results/Résultats

Pos	Name/Nom
1	Peyton KOOISTRA, Ni-Ten
2	Yumi CALVERT, Kodokwai
3	Eilidh MORRISON, Ishi Yama

U14F +63 kg

Competitors/Compétiteurs

#	Name/Nom	Grade	Club	1	2	3	W/G	Pts	Pos
1	Oryx DION	Green	Medicine Hat	XX	10	10	2	20	1
2	Haley MACDONALD	Yellow	Ni-Ten		XX		0	0	3
3	Valentina NOBILE	Yellow	Tokugawa		10	XX	1	10	2

Matches/Matches

Match	White/Blanc			Blue/Bleu	Res/Rés	Tim/Tmp	Code
A-48	Oryx DION	1	2	Haley MACDONALD	10 - 0	2:01	WIP
A-54	Oryx DION	1	3	Valentina NOBILE	10 - 0	0:11	IPO
A-58	Haley MACDONALD	2	3	Valentina NOBILE	0 - 10	1:34	WIP

Results/Résultats

Pos	Name/Nom
1	Oryx DION, Medicine Hat
2	Valentina NOBILE, Tokugawa

U14M -35 kg

Competitors/Compétiteurs

#	Name/Nom	Grade	Club	1	2	3	4	5	W/G	Pts	Pos
1	Daniel UMANSKY	Yellow	St. Albert	XX					0	0	5
2	Victor KARAKUSHAN	Orange	Ryu Senshi	5	XX				1	5	4
3	Cooper DOBSON	Orange	Hiro's	10	10	XX			2	20	3
4	Grayson TAMURA	Green	Lethbridge	10	10	10	XX	10	4	40	1
5	Graydon HAZELL	Green	Lethbridge	10	10	10		XX	3	30	2

Matches/Matches

Match	White/Blanc			Blue/Bleu	Res/Rés	Tim/Tmp	Code
B-43	Grayson TAMURA	4	5	Graydon HAZELL	10 - 0	2:50	IPO
B-44	Daniel UMANSKY	1	2	Victor KARAKUSHAN	0 - 5	3:00	WAZ
B-45	Cooper DOBSON	3	4	Grayson TAMURA	0 - 10	0:34	IPO
B-46	Daniel UMANSKY	1	5	Graydon HAZELL	0 - 10	0:17	IPO
B-50	Victor KARAKUSHAN	2	3	Cooper DOBSON	0 - 10	0:52	IPO
B-51	Daniel UMANSKY	1	4	Grayson TAMURA	0 - 10	0:09	IPO
B-55	Cooper DOBSON	3	5	Graydon HAZELL	0 - 10	0:56	IPO
B-56	Victor KARAKUSHAN	2	4	Grayson TAMURA	0 - 10	0:12	IPO
B-60	Daniel UMANSKY	1	3	Cooper DOBSON	0 - 10	1:04	WIP
B-61	Victor KARAKUSHAN	2	5	Graydon HAZELL	0 - 10	0:49	WIP

Results/Résultats

Pos	Name/Nom
1	Grayson TAMURA, Lethbridge
2	Graydon HAZELL, Lethbridge
3	Cooper DOBSON, Hiro's
4	Victor KARAKUSHAN, Ryu Senshi

U14M -38 kg

Competitors/Compétiteurs

#	Name/Nom	Grade	Club	1	2	1	2	1	2	W/G	Pts	Pos
1	Sj PASS	Green	Ni-Ten	XX		XX		XX		0	0	2
2	Danylo SAVOSTA	Orange	Kodokwai	10	XX	10	XX		XX	2	20	1

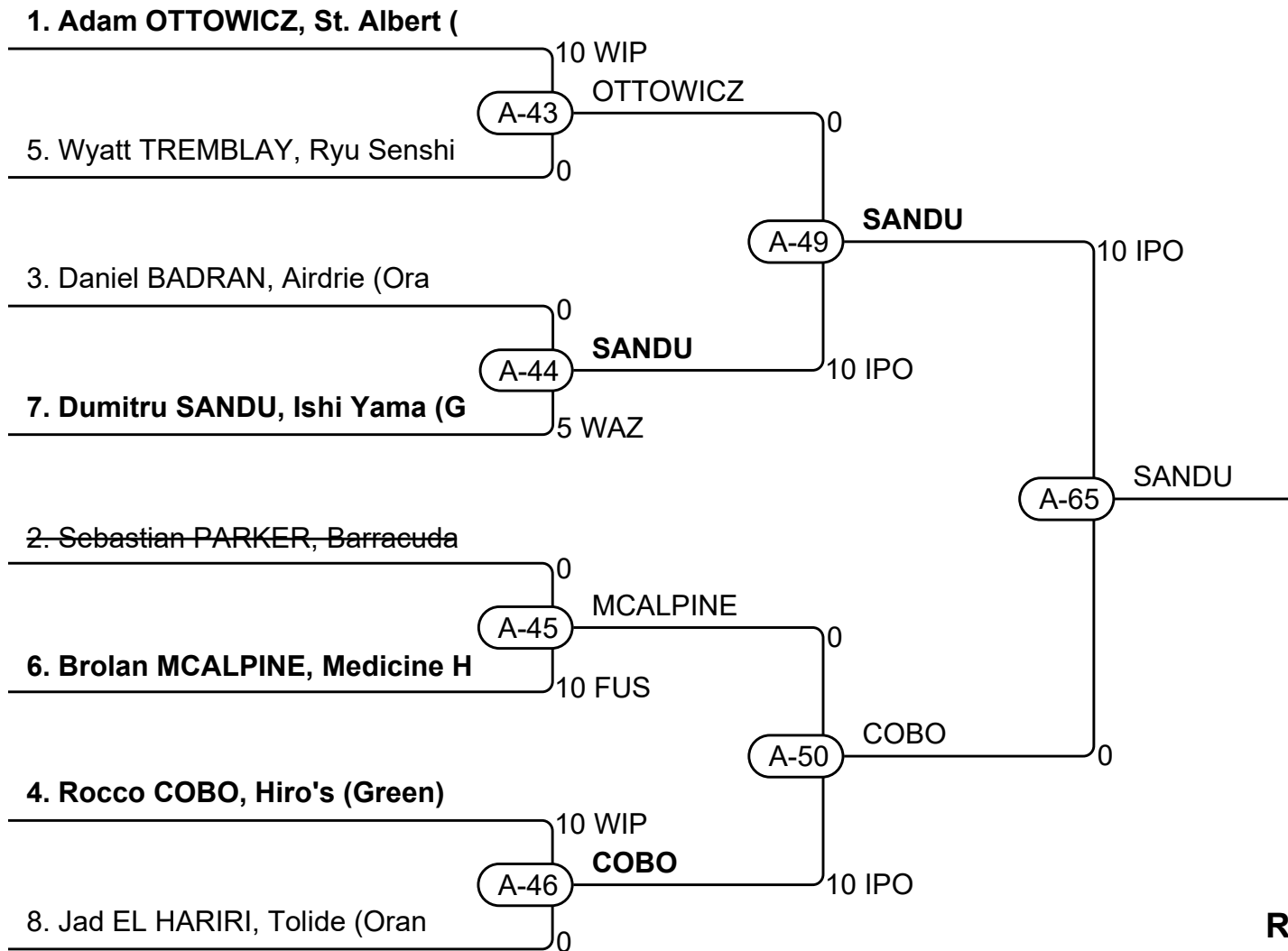
Matches/Matches

Match	White/Blanc			Blue/Bleu	Res/Rés	Tim/Tmp	Code
B-47	Sj PASS	1	2	Danylo SAVOSTA	0 - 10	1:18	IPO
B-52	Danylo SAVOSTA	2	1	Sj PASS	10 - 0	3:00	WIP
B-57	Sj PASS	1	2	Danylo SAVOSTA			

Results/Résultats

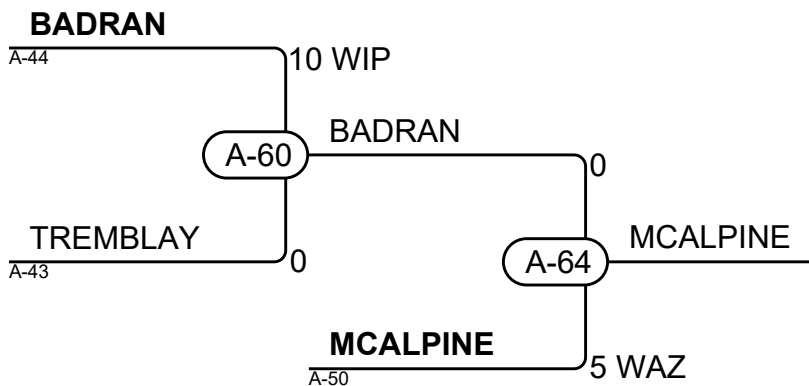
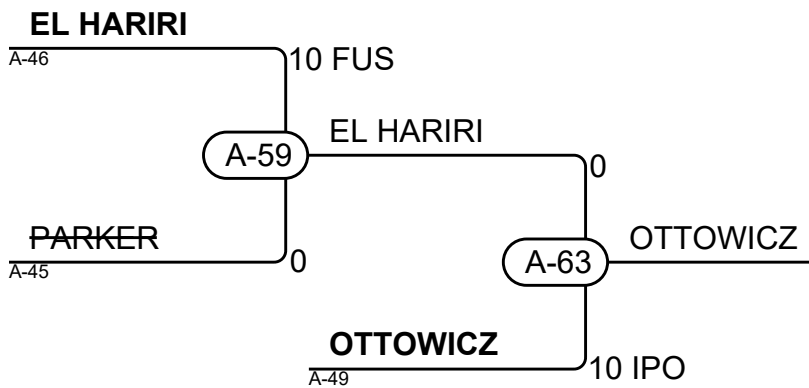
Pos	Name/Nom
1	Danylo SAVOSTA, Kodokwai

U14M -42 kg



Results/Résultats

Pos	Name/Nom
1	Dumitru SANDU, Ishi Yama
2	Rocco COBO, Hiro's
3	Adam OTTOWICZ, St. Albert
3	Brolan MCALPINE, Medicine



U14M -46 kg

Competitors/Compétiteurs

#	Name/Nom	Grade	Club	1	2	1	2	1	2	W/G	Pts	Pos
1	Daniel KIM	Orange	Red Deer	XX	5	XX		XX	10	2	15	1
2	Simon KEITEL	Orange	Yaruki		XX	10	XX		XX	1	10	2

Matches/Matches

Match	White/Blanc			Blue/Bleu	Res/Rés	Tim/Tmp	Code
A-47	Daniel KIM	1	2	Simon KEITEL	5 - 0	3:00	WAZ
A-53	Simon KEITEL	2	1	Daniel KIM	10 - 0	3:00	IPO
A-57	Daniel KIM	1	2	Simon KEITEL	10 - 0	1:54	WIP

Results/Résultats

Pos	Name/Nom
1	Daniel KIM, Red Deer
2	Simon KEITEL, Yaruki

U14M -50 kg

Competitors/Compétiteurs A

#	Name/Nom	Grade	Club	1	2	3	W/G	Pts	Pos
1	Lukas KOLACZ	Yellow	Tokugawa	XX			0	0	3
2	Abdul MAGOMEDOV	Green	Kodokwai	10	XX	10	2	20	1
3	Donovan GRIGY	Orange	Ishi Yama	10		XX	1	10	2

Pool A

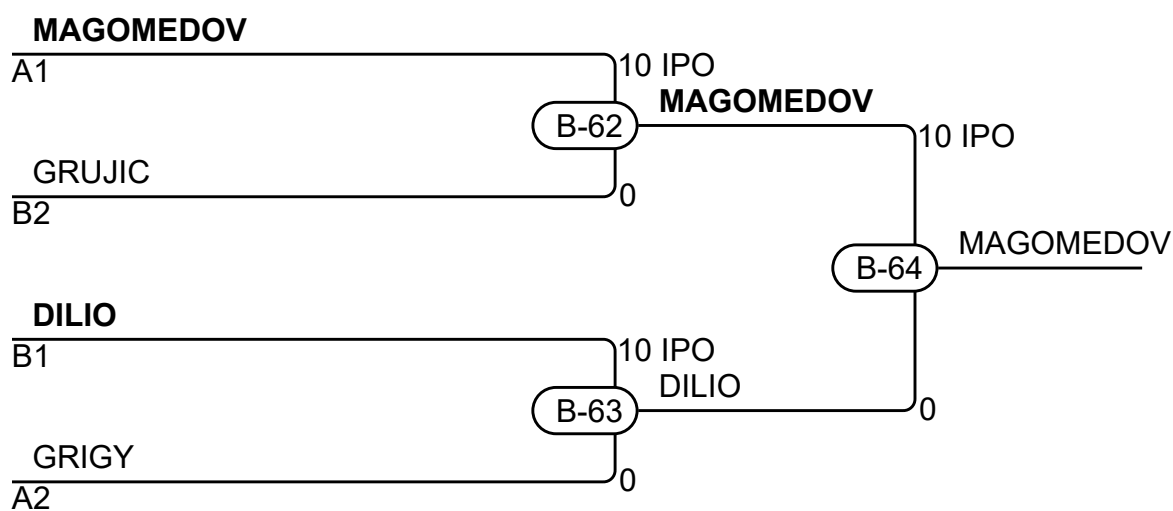
Match	White/Blanc	Blue/Bleu	Res/Rés	Tim/Tmp	Code
B-48	Lukas KOLACZ 1 2	Abdul MAGOMEDOV	0 - 10	1:10	IPO
B-53	Lukas KOLACZ 1 3	Donovan GRIGY	0 - 10	0:00	FUS
B-58	Abdul MAGOMEDOV 2 3	Donovan GRIGY	10 - 0	1:23	IPO

Competitors/Compétiteurs B

#	Name/Nom	Grade	Club	4	5	6	W/G	Pts	Pos
4	Oliver COUILLARD	Orange	Tokugawa	XX			0	0	3
5	Ethan DILIO	Green	Kodokwai	10	XX	10	2	20	1
6	Luka GRUJIC	Green	Medicine Hat	10		XX	1	10	2

Pool B

Match	White/Blanc	Blue/Bleu	Res/Rés	Tim/Tmp	Code
B-49	Oliver COUILLARD 4 5	Ethan DILIO	0 - 10	0:05	IPO
B-54	Oliver COUILLARD 4 6	Luka GRUJIC	0 - 10	0:37	WIP
B-59	Ethan DILIO 5 6	Luka GRUJIC	10 - 0	0:08	IPO



Results/Résultats

Pos	Name/Nom
1	Abdul MAGOMEDOV, Kodokwai
2	Ethan DILIO, Kodokwai
3	Luka GRUJIC, Medicine Hat
3	Donovan GRIGY, Ishi Yama

U14M -55 kg

Competitors/Compétiteurs A

#	Name/Nom	Grade	Club	1	2	3	W/G	Pts	Pos
1	Liam HETHERINGTON	Orange	Airdrie	XX	10		1	10	2
2	Seth WANNER	Yellow	Tokugawa		XX		0	0	3
3	Kohji CROOK	Green	Hiro's	10	10	XX	2	20	1

Pool A

Match	White/Blanc	Blue/Bleu	Res/Rés	Tim/Tmp	Code
C-44	Liam HETHERINGTON 1 2	Seth WANNER	10 - 0	1:07	IPO
C-50	Liam HETHERINGTON 1 3	Kohji CROOK	0 - 10	1:49	IPO
C-56	Seth WANNER 2 3	Kohji CROOK	0 - 10	0:00	FUS

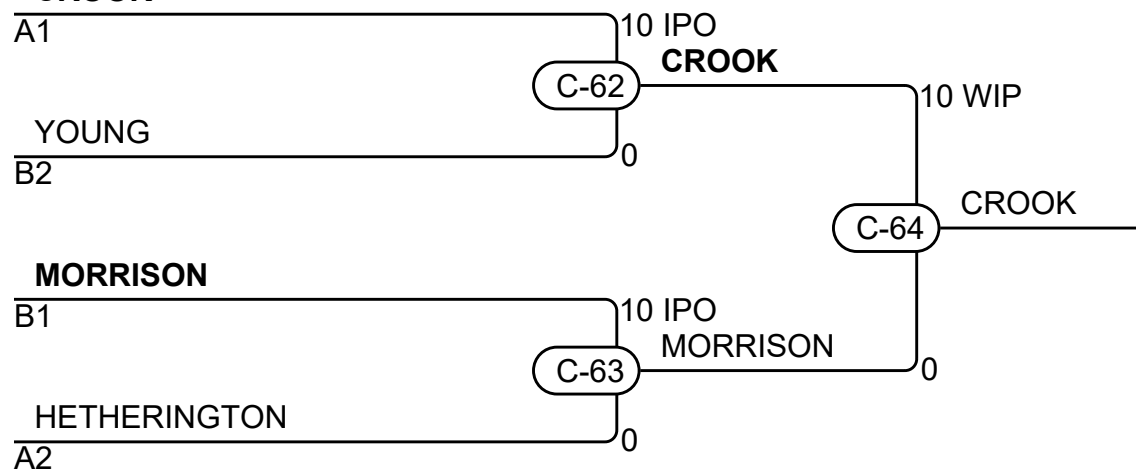
Competitors/Compétiteurs B

#	Name/Nom	Grade	Club	4	5	6	W/G	Pts	Pos
4	Samuel MORRISON	Green	Kodokwai	XX	10	10	2	20	1
5	Kaleb YOUNG	Green	Ni-Ten		XX	10	1	10	2
6	Nate SHUTKO	Orange	Airdrie			XX	0	0	3

Pool B

Match	White/Blanc	Blue/Bleu	Res/Rés	Tim/Tmp	Code
C-45	Samuel MORRISON 4 5	Kaleb YOUNG	10 - 0	1:08	IPO
C-51	Samuel MORRISON 4 6	Nate SHUTKO	10 - 0	0:23	IPO
C-57	Kaleb YOUNG 5 6	Nate SHUTKO	10 - 0	0:10	IPO

CROOK



Results/Résultats

Pos	Name/Nom
1	Kohji CROOK, Hiro's
2	Samuel MORRISON, Kodokwai
3	Kaleb YOUNG, Ni-Ten
3	Liam HETHERINGTON, Airdrie

U14M -66 kg

Competitors/Compétiteurs

#	Name/Nom	Grade	Club	1	W/G	Pts	Pos
1	Davud ASGARZADEH	Green	Kodokwai	XX	0	0	1

Matches/Matches

Match	White/Blanc	Blue/Bleu	Res/Rés	Tim/Tmp	Code
-------	-------------	-----------	---------	---------	------

Results/Résultats

Pos	Name/Nom

U16F -52 kg

Competitors/Compétiteurs

#	Name/Nom	Grade	Club	1	2	3	W/G	Pts	Pos
1	Christina KARAS	Blue	Kodokwai	XX	5	10	2	15	1
2	Camila HEBER	Blue	Tokugawa		XX	10	1	10	2
3	Louisa GORDON	Orange	Hoku Sei Kan			XX	0	0	3

Matches/Matches

Match	White/Blanc			Blue/Bleu	Res/Rés	Tim/Tmp	Code
B-70	Christina KARAS	1	2	Camila HEBER	5 - 0	3:00	WAZ
B-74	Christina KARAS	1	3	Louisa GORDON	10 - 0	2:59	WIP
B-78	Camila HEBER	2	3	Louisa GORDON	10 - 0	1:24	IPO

Results/Résultats

Pos	Name/Nom
1	Christina KARAS, Kodokwai
2	Camila HEBER, Tokugawa

U16F -57 kg

Competitors/Compétiteurs

#	Name/Nom	Grade	Club	1	2	1	2	1	2	W/G	Pts	Pos
1	Annaka DEEG	Blue	Tokugawa	XX	10	XX	10	XX		2	20	1
2	Emereese KURPJUWEIT	Blue	Medicine Hat		XX		XX		XX	0	0	2

Matches/Matches

Match	White/Blanc			Blue/Bleu	Res/Rés	Tim/Tmp	Code
C-66	Annaka DEEG	1	2	Emereese KURPJUWEIT	10 - 0	1:16	IPO
C-72	Emereese KURPJUWEIT	2	1	Annaka DEEG	0 - 10	0:57	IPO
C-78	Annaka DEEG	1	2	Emereese KURPJUWEIT			

Results/Résultats

Pos	Name/Nom
1	Annaka DEEG, Tokugawa

U16F -70 kg

Competitors/Compétiteurs

#	Name/Nom	Grade	Club	1	2	1	2	1	2	W/G	Pts	Pos
1	Oryx DION	Green	Medicine Hat	XX		XX		XX		0	0	2
2	Emiliya ALIYEVA	Blue	Hiro's	10	XX	10	XX		XX	2	20	1

Matches/Matches

Match	White/Blanc			Blue/Bleu	Res/Rés	Tim/Tmp	Code
C-68	Oryx DION	1	2	Emiliya ALIYEVA	0 - 10	0:31	WIP
C-74	Emiliya ALIYEVA	2	1	Oryx DION	10 - 0	0:39	WIP
C-80	Oryx DION	1	2	Emiliya ALIYEVA			

Results/Résultats

Pos	Name/Nom
1	Emiliya ALIYEVA, Hiro's

U16M -38 kg

Competitors/Compétiteurs

#	Name/Nom	Grade	Club	1	2	1	2	1	2	W/G	Pts	Pos
1	Grayson TAMURA	Green	Lethbridge	XX		XX	10	XX		1	10	2
2	Danylo SAVOSTA	Green	Kodokwai	10	XX		XX	10	XX	2	20	1

Matches/Matches

Match	White/Blanc			Blue/Bleu	Res/Rés	Tim/Tmp	Code
C-69	Grayson TAMURA	1	2	Danylo SAVOSTA	0 - 10	1:19	IPO
C-75	Danylo SAVOSTA	2	1	Grayson TAMURA	0 - 10	1:30	IPO
C-81	Grayson TAMURA	1	2	Danylo SAVOSTA	0 - 10	0:07	IPO

Results/Résultats

Pos	Name/Nom
1	Danylo SAVOSTA, Kodokwai
2	Grayson TAMURA, Lethbridge

U16M -46 kg

Competitors/Compétiteurs

#	Name/Nom	Grade	Club	1	2	1	2	1	2	W/G	Pts	Pos
1	Justin WEBBER	Brown	Hiro's	XX	10	XX	10	XX		2	20	1
2	Julian SOUTHWORTH	Orange	Kodokwai		XX		XX		XX	0	0	2

Matches/Matches

Match	White/Blanc			Blue/Bleu	Res/Rés	Tim/Tmp	Code
A-74	Justin WEBBER	1	2	Julian SOUTHWORTH	10 - 0	0:14	IPO
A-77	Julian SOUTHWORTH	2	1	Justin WEBBER	0 - 10	0:40	IPO
A-80	Justin WEBBER	1	2	Julian SOUTHWORTH			

Results/Résultats

Pos	Name/Nom
1	Justin WEBBER, Hiro's

U16M -50 kg

Competitors/Compétiteurs

#	Name/Nom	Grade	Club	1	2	1	2	1	2	W/G	Pts	Pos
1	Kohen JOHNSON	Blue	Tokugawa	XX		XX		XX		0	0	2
2	Ethan DILIO	Green	Kodokwai	10	XX	10	XX		XX	2	20	1

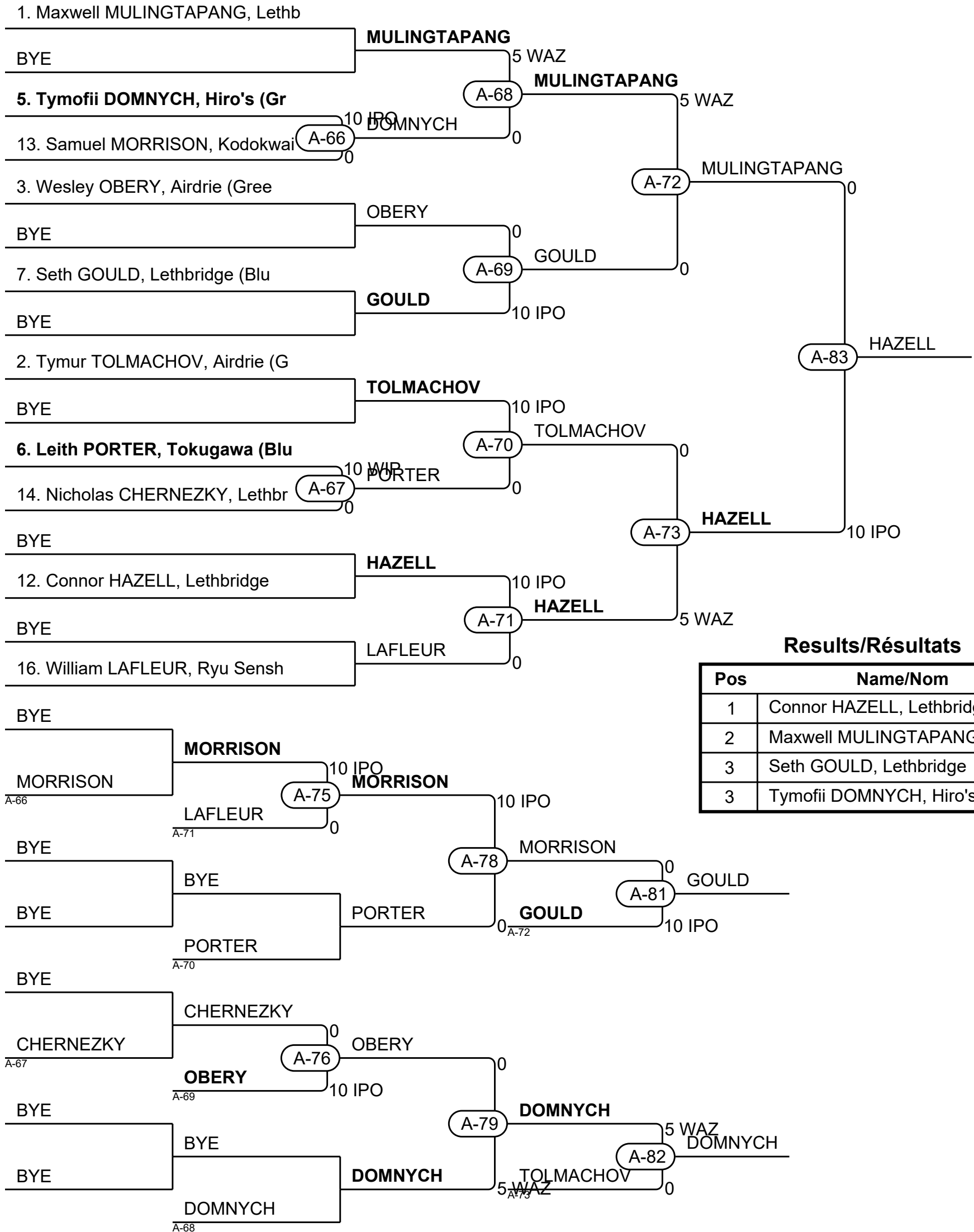
Matches/Matches

Match	White/Blanc			Blue/Bleu	Res/Rés	Tim/Tmp	Code
C-67	Kohen JOHNSON	1	2	Ethan DILIO	0 - 10	0:36	HAN
C-73	Ethan DILIO	2	1	Kohen JOHNSON	10 - 0	0:00	FUS
C-79	Kohen JOHNSON	1	2	Ethan DILIO			

Results/Résultats

Pos	Name/Nom
1	Ethan DILIO, Kodokwai

U16M -55 kg



Results/Résultats

Pos	Name/Nom
1	Connor HAZELL, Lethbridge
2	Maxwell MULINGTAPANG, Leth
3	Seth GOULD, Lethbridge
3	Tymofii DOMNYCH, Hiro's

U16M -60 kg

Competitors/Compétiteurs

#	Name/Nom	Grade	Club	1	2	3	4	5	W/G	Pts	Pos
1	Connor GALLANT	Brown	Lethbridge	XX	10	10	10	10	4	40	1
2	Tymur YAROSHEVYCH	Orange	Red Deer		XX	10	10	10	3	30	2
3	Mathis SCHAFER	Green	Medicine Hat			XX	10		1	10	4
4	Lincoln MURFITT	Orange	Drayton Valley				XX		0	0	5
5	Jakub KLINEC	Green	Barracuda			10	10	XX	2	20	3

Matches/Matches

Match	White/Blanc			Blue/Bleu	Res/Rés	Tim/Tmp	Code
B-65	Lincoln MURFITT	4	5	Jakub KLINEC	0 - 10	0:10	IPO
B-66	Connor GALLANT	1	2	Tymur YAROSHEVYCH	10 - 0	0:45	WIP
B-67	Mathis SCHAFER	3	4	Lincoln MURFITT	10 - 0	0:38	IPO
B-68	Connor GALLANT	1	5	Jakub KLINEC	10 - 0	0:15	IPO
B-71	Tymur YAROSHEVYCH	2	3	Mathis SCHAFER	10 - 0	2:09	WIP
B-72	Connor GALLANT	1	4	Lincoln MURFITT	10 - 0	0:41	WIP
B-75	Mathis SCHAFER	3	5	Jakub KLINEC	0 - 10	0:47	IPO
B-76	Tymur YAROSHEVYCH	2	4	Lincoln MURFITT	10 - 0	0:28	WIP
B-79	Connor GALLANT	1	3	Mathis SCHAFER	10 - 0	0:12	IPO
B-80	Tymur YAROSHEVYCH	2	5	Jakub KLINEC	10 - 0	1:05	IPO

Results/Résultats

Pos	Name/Nom
1	Connor GALLANT, Lethbridge
2	Tymur YAROSHEVYCH, Red Deer
3	Jakub KLINEC, Barracuda
4	Mathis SCHAFER, Medicine Hat

U16M -66 kg

Competitors/Compétiteurs

#	Name/Nom	Grade	Club	1	2	3	W/G	Pts	Pos
1	Davud ASGARZADEH	Green	Kodokwai	XX			0	0	3
2	John COLNEY	Blue	Kodokwai	10	XX		1	10	2
3	Silas COUGHLAN	Brown	Hiro's	10	10	XX	2	20	1

Matches/Matches

Match	White/Blanc			Blue/Bleu	Res/Rés	Tim/Tmp	Code
C-70	Davud ASGARZADEH	1	2	John COLNEY	0 - 10	4:59	HAN
C-76	Davud ASGARZADEH	1	3	Silas COUGHLAN	0 - 10	0:44	WIP
C-82	John COLNEY	2	3	Silas COUGHLAN	0 - 10	0:50	WIP

Results/Résultats

Pos	Name/Nom
1	Silas COUGHLAN, Hiro's
2	John COLNEY, Kodokwai

U16M -73 kg

Competitors/Compétiteurs

#	Name/Nom	Grade	Club	1	2	3	W/G	Pts	Pos
1	Drake GREGORY	Blue	Lethbridge	XX	10	10	2	20	1
2	Rowen STERBA	Blue	Lethbridge		XX	10	1	10	2
3	Rhys MCCHESENEY	Green	Tolide			XX	0	0	3

Matches/Matches

Match	White/Blanc			Blue/Bleu	Res/Rés	Tim/Tmp	Code
C-65	Drake GREGORY	1	2	Rowen STERBA	10 - 0	0:49	WIP
C-71	Drake GREGORY	1	3	Rhys MCCHESENEY	10 - 0	0:18	IPO
C-77	Rowen STERBA	2	3	Rhys MCCHESENEY	10 - 0	0:10	IPO

Results/Résultats

Pos	Name/Nom
1	Drake GREGORY, Lethbridge
2	Rowen STERBA, Lethbridge

U16M +73 kg

Competitors/Compétiteurs

#	Name/Nom	Grade	Club	1	2	3	W/G	Pts	Pos
1	Mikihiro CROOK	Blue	Hiro's	XX	10		1	10	2
2	Marcus HRYNIW	Green	Tolide		XX		0	0	3
3	Munkhu BATBAYAR	Brown	Lethbridge	10	10	XX	2	20	1

Matches/Matches

Match	White/Blanc			Blue/Bleu	Res/Rés	Tim/Tmp	Code
B-69	Mikihiro CROOK	1	2	Marcus HRYNIW	10 - 0	1:58	WIP
B-73	Mikihiro CROOK	1	3	Munkhu BATBAYAR	0 - 10	2:03	IPO
B-77	Marcus HRYNIW	2	3	Munkhu BATBAYAR	0 - 10	0:17	IPO

Results/Résultats

Pos	Name/Nom
1	Munkhu BATBAYAR, Lethbridge
2	Mikihiro CROOK, Hiro's

U18F -52 kg

Competitors/Compétiteurs A

#	Name/Nom	Grade	Club	1	2	3	W/G	Pts	Pos
1	Tace VEALE	Brown	Lethbridge	XX		10	1	10	2
2	Isla DIESMOS	Brown	Hiro's	10	XX	10	2	20	1
3	Braelyn THOMPSON	Blue	Kodokwai			XX	0	0	3

Pool A

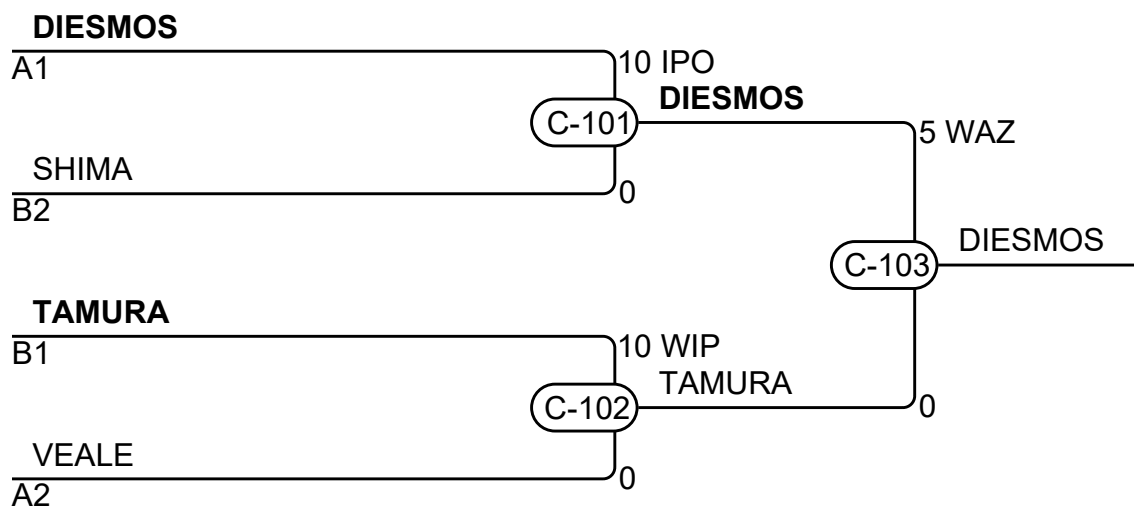
Match	White/Blanc	Blue/Bleu	Res/Rés	Tim/Tmp	Code
C-87	Tace VEALE 1 2	Isla DIESMOS	0 - 10	0:33	IPO
C-93	Tace VEALE 1 3	Braelyn THOMPSON	10 - 0	0:43	WIP
C-99	Isla DIESMOS 2 3	Braelyn THOMPSON	10 - 0	0:45	WIP

Competitors/Compétiteurs B

#	Name/Nom	Grade	Club	4	5	6	W/G	Pts	Pos
4	Aida Miko SHIMA	Brown	Kodokwai	XX	10		1	10	2
5	Elizabeth SANIKIDZE	Blue	Kodokwai		XX		0	0	3
6	Addyson TAMURA	Brown	Lethbridge	10	10	XX	2	20	1

Pool B

Match	White/Blanc	Blue/Bleu	Res/Rés	Tim/Tmp	Code
C-88	Aida Miko SHIMA 4 5	Elizabeth SANIKIDZE	10 - 0	0:47	WIP
C-94	Aida Miko SHIMA 4 6	Addyson TAMURA	0 - 10	0:20	IPO
C-100	Elizabeth SANIKIDZE 5 6	Addyson TAMURA	0 - 10	2:28	WIP



Results/Résultats

Pos	Name/Nom
1	Isla DIESMOS, Hiro's
2	Addyson TAMURA, Lethbridge
3	Aida Miko SHIMA, Kodokwai
3	Tace VEALE, Lethbridge

U18F -57 kg

Competitors/Compétiteurs

#	Name/Nom	Grade	Club	1	2	1	2	1	2	W/G	Pts	Pos
1	Emereese KURPJUWEIT	Blue	Medicine Hat	XX		XX		XX		0	0	2
2	Annaka DEEG	Blue	Tokugawa	10	XX	10	XX		XX	2	20	1

Matches/Matches

Match	White/Blanc			Blue/Bleu	Res/Rés	Tim/Tmp	Code
B-85	Emereese KURPJUWEIT	1	2	Annaka DEEG	0 - 10	0:18	WIP
B-92	Annaka DEEG	2	1	Emereese KURPJUWEIT	10 - 0	0:06	IPO
B-99	Emereese KURPJUWEIT	1	2	Annaka DEEG			

Results/Résultats

Pos	Name/Nom
1	Annaka DEEG, Tokugawa

U18F -63 kg

Competitors/Compétiteurs

#	Name/Nom	Grade	Club	1	2	3	W/G	Pts	Pos
1	Kayla JOHNSON	Brown	Tokugawa	XX		10	1	10	2
2	Brecklyn VEALE	Brown	Lethbridge	5	XX	10	2	15	1
3	Angeline RATCLIFFE	Brown	Kodokwai			XX	0	0	3

Matches/Matches

Match	White/Blanc			Blue/Bleu	Res/Rés	Tim/Tmp	Code
C-84	Kayla JOHNSON	1	2	Brecklyn VEALE	0 - 5	4:00	WAZ
C-90	Kayla JOHNSON	1	3	Angeline RATCLIFFE	10 - 0	2:49	IPO
C-96	Brecklyn VEALE	2	3	Angeline RATCLIFFE	10 - 0	2:27	WIP

Results/Résultats

Pos	Name/Nom
1	Brecklyn VEALE, Lethbridge
2	Kayla JOHNSON, Tokugawa

U18F -70 kg

Competitors/Compétiteurs

#	Name/Nom	Grade	Club	1	2	3	W/G	Pts	Pos
1	Emiliya ALIYEVA	Blue	Hiro's	XX			0	0	3
2	Elizabeth COSSITT	Brown	Kodokwai	10	XX		1	10	2
3	Maralgoo BATBAYAR	Brown	Lethbridge	10	10	XX	2	20	1

Matches/Matches

Match	White/Blanc			Blue/Bleu	Res/Rés	Tim/Tmp	Code
A-88	Emiliya ALIYEVA	1	2	Elizabeth COSSITT	0 - 10	0:42	IPO
A-94	Emiliya ALIYEVA	1	3	Maralgoo BATBAYAR	0 - 10	0:09	IPO
A-100	Elizabeth COSSITT	2	3	Maralgoo BATBAYAR	0 - 10	0:51	IPO

Results/Résultats

Pos	Name/Nom
1	Maralgoo BATBAYAR, Lethbridge
2	Elizabeth COSSITT, Kodokwai

U18F +70 kg

Competitors/Compétiteurs

#	Name/Nom	Grade	Club	1	2	1	2	1	2	W/G	Pts	Pos
1	Madison GALLANT	Brown	Lethbridge	XX	10	XX	10	XX		2	20	1
2	Jasmyne HRYNIW	Green	Tolide		XX		XX		XX	0	0	2

Matches/Matches

Match	White/Blanc			Blue/Bleu	Res/Rés	Tim/Tmp	Code
C-83	Madison GALLANT	1	2	Jasmyne HRYNIW	10 - 0	2:05	IPO
C-89	Jasmyne HRYNIW	2	1	Madison GALLANT	0 - 10	1:33	HAN
C-95	Madison GALLANT	1	2	Jasmyne HRYNIW			

Results/Résultats

Pos	Name/Nom
1	Madison GALLANT, Lethbridge

U18M -50 kg

Competitors/Compétiteurs

#	Name/Nom	Grade	Club	1	2	1	2	1	2	W/G	Pts	Pos
1	Justin WEBBER	Brown	Hiro's	XX	10	XX	10	XX		2	20	1
2	Kohen JOHNSON	Blue	Tokugawa		XX		XX		XX	0	0	2

Matches/Matches

Match	White/Blanc			Blue/Bleu	Res/Rés	Tim/Tmp	Code
C-85	Justin WEBBER	1	2	Kohen JOHNSON	10 - 0	3:49	WIP
C-91	Kohen JOHNSON	2	1	Justin WEBBER	0 - 10	2:22	WIP
C-97	Justin WEBBER	1	2	Kohen JOHNSON			

Results/Résultats

Pos	Name/Nom
1	Justin WEBBER, Hiro's

U18M -55 kg

Competitors/Compétiteurs

#	Name/Nom	Grade	Club	1	2	3	4	W/G	Pts	Pos
1	Maxwell MULINGTAPANG	Brown	Lethbridge	XX	10	10	10	3	30	1
2	Connor HAZELL	Brown	Lethbridge		XX	10	10	2	20	2
3	Jack MCALPINE	Brown	Medicine Hat			XX	5	1	5	3
4	Seth GOULD	Blue	Lethbridge				XX	0	0	4

Matches/Matches

Match	White/Blanc			Blue/Bleu	Res/Rés	Tim/Tmp	Code
B-88	Maxwell MULINGTAPANG	1	2	Connor HAZELL	10 - 0	2:42	WIP
B-89	Jack MCALPINE	3	4	Seth GOULD	5 - 0	6:58	GSW
B-95	Maxwell MULINGTAPANG	1	3	Jack MCALPINE	10 - 0	1:00	IPO
B-96	Connor HAZELL	2	4	Seth GOULD	10 - 0	3:02	WIP
B-102	Maxwell MULINGTAPANG	1	4	Seth GOULD	10 - 0	3:58	IPO
B-103	Connor HAZELL	2	3	Jack MCALPINE	10 - 0	0:51	IPO

Results/Résultats

Pos	Name/Nom
1	Maxwell MULINGTAPANG, Lethbridge
2	Connor HAZELL, Lethbridge
3	Jack MCALPINE, Medicine Hat

U18M -60 kg

Competitors/Compétiteurs

#	Name/Nom	Grade	Club	1	2	3	W/G	Pts	Pos
1	Connor GALLANT	Brown	Lethbridge	XX			0	0	3
2	Aden KIM	Brown	Lethbridge	10	XX		1	10	2
3	Stefan TESANOVIC	Brown	Ishi Yama	10	5	XX	2	15	1

Matches/Matches

Match	White/Blanc			Blue/Bleu	Res/Rés	Tim/Tmp	Code
A-87	Connor GALLANT	1	2	Aden KIM	0 - 10	4:19	GSI
A-93	Connor GALLANT	1	3	Stefan TESANOVIC	0 - 10	4:35	GSI
A-99	Aden KIM	2	3	Stefan TESANOVIC	0 - 5	4:33	GSW

Results/Résultats

Pos	Name/Nom
1	Stefan TESANOVIC, Ishi Yama
2	Aden KIM, Lethbridge

U18M -66 kg

Competitors/Compétiteurs A

#	Name/Nom	Grade	Club	1	2	3	W/G	Pts	Pos
1	Xavion JOHNSON	1D	Lethbridge	XX	10	10	2	20	1
2	Zubail DZHABRAILOV	Brown	Tolide		XX	5	1	5	2
3	Silas COUGHLAN	Brown	Hiro's			XX	0	0	3

Pool A

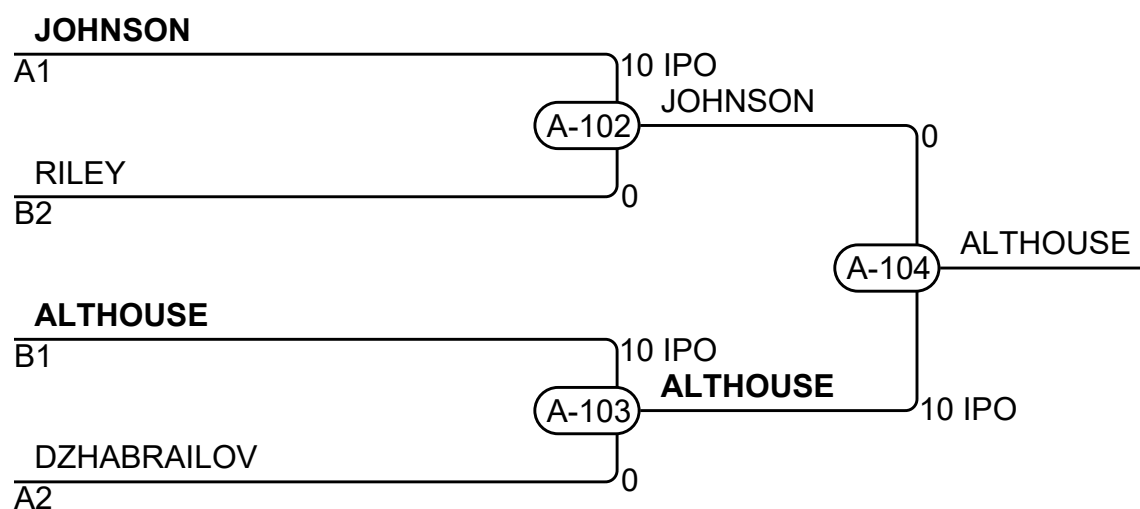
Match	White/Blanc	Blue/Bleu	Res/Rés	Tim/Tmp	Code
A-84	Xavion JOHNSON 1 2	Zubail DZHABRAILOV	10 - 0	0:57	IPO
A-90	Xavion JOHNSON 1 3	Silas COUGHLAN	10 - 0	0:41	WIP
A-96	Zubail DZHABRAILOV 2 3	Silas COUGHLAN	5 - 0	4:00	WAZ

Competitors/Compétiteurs B

#	Name/Nom	Grade	Club	4	5	6	W/G	Pts	Pos
4	Sawyer ALTHOUSE	Brown	Lethbridge	XX	10	10	2	20	1
5	Dax JEFFERY	Orange	Drayton Valley		XX		0	0	3
6	Shamus RILEY	Blue	Kodokwai		10	XX	1	10	2

Pool B

Match	White/Blanc	Blue/Bleu	Res/Rés	Tim/Tmp	Code
A-85	Sawyer ALTHOUSE 4 5	Dax JEFFERY	10 - 0	0:42	IPO
A-91	Sawyer ALTHOUSE 4 6	Shamus RILEY	10 - 0	1:32	WIP
A-97	Dax JEFFERY 5 6	Shamus RILEY	0 - 10	0:21	IPO



Results/Résultats

Pos	Name/Nom
1	Sawyer ALTHOUSE, Lethbridge
2	Xavion JOHNSON, Lethbridge
3	Shamus RILEY, Kodokwai
3	Zubail DZHABRAILOV, Tolide

U18M -73 kg

Competitors/Compétiteurs

#	Name/Nom	Grade	Club	1	2	3	4	5	W/G	Pts	Pos
1	Garrett PARKER	Brown	Barracuda	XX	10		10		2	20	3
2	Drake GREGORY	Blue	Lethbridge		XX		10		1	10	4
3	Malakai KURPJUWEIT	Brown	Medicine Hat	10	10	XX	10		3	30	2
4	Amir SAID MOHAMMAD	Blue	Kodokwai				XX		0	0	5
5	Owen HOOVER	Brown	Kodokwai	10	5	10	10	XX	4	35	1

Matches/Matches

Match	White/Blanc			Blue/Bleu	Res/Rés	Tim/Tmp	Code
B-81	Amir SAID MOHAMMAD	4	5	Owen HOOVER	0 - 10	0:26	IPO
B-82	Garrett PARKER	1	2	Drake GREGORY	10 - 0	1:28	WIP
B-83	Malakai KURPJUWEIT	3	4	Amir SAID MOHAMMAD	10 - 0	1:13	IPO
B-84	Garrett PARKER	1	5	Owen HOOVER	0 - 10	1:15	IPO
B-86	Drake GREGORY	2	3	Malakai KURPJUWEIT	0 - 10	2:04	IPO
B-87	Garrett PARKER	1	4	Amir SAID MOHAMMAD	10 - 0	0:56	IPO
B-93	Malakai KURPJUWEIT	3	5	Owen HOOVER	0 - 10	0:49	IPO
B-94	Drake GREGORY	2	4	Amir SAID MOHAMMAD	10 - 0	2:26	IPO
B-100	Garrett PARKER	1	3	Malakai KURPJUWEIT	0 - 10	0:23	IPO
B-101	Drake GREGORY	2	5	Owen HOOVER	0 - 5	4:00	WAZ

Results/Résultats

Pos	Name/Nom
1	Owen HOOVER, Kodokwai
2	Malakai KURPJUWEIT, Medicine Hat
3	Garrett PARKER, Barracuda
4	Drake GREGORY, Lethbridge

U18M -81 kg

Competitors/Compétiteurs

#	Name/Nom	Grade	Club	1	2	1	2	1	2	W/G	Pts	Pos
1	Habib SAID MOHAMMAD	Brown	Kodokwai	XX	10	XX	10	XX		2	20	1
2	Yaroslav KRASNOV	Orange	Red Deer		XX		XX		XX	0	0	2

Matches/Matches

Match	White/Blanc			Blue/Bleu	Res/Rés	Tim/Tmp	Code
C-86	Habib SAID MOHAMMAD	1	2	Yaroslav KRASNOV	10 - 0	1:41	IPO
C-92	Yaroslav KRASNOV	2	1	Habib SAID MOHAMMAD	0 - 10	0:30	IPO
C-98	Habib SAID MOHAMMAD	1	2	Yaroslav KRASNOV			

Results/Résultats

Pos	Name/Nom
1	Habib SAID MOHAMMAD, Kodokwai

U18M -90 kg

Competitors/Compétiteurs

#	Name/Nom	Grade	Club	1	2	1	2	1	2	W/G	Pts	Pos
1	Roman KHORTIV	Blue	Tokugawa	XX	10	XX	10	XX		2	20	1
2	Garrett VAN SEGGELEN	Green	Red Deer		XX		XX		XX	0	0	2

Matches/Matches

Match	White/Blanc			Blue/Bleu	Res/Rés	Tim/Tmp	Code
A-86	Roman KHORTIV	1	2	Garrett VAN SEGGELEN	10 - 0	0:15	IPO
A-92	Garrett VAN SEGGELEN	2	1	Roman KHORTIV	0 - 10	0:10	IPO
A-98	Roman KHORTIV	1	2	Garrett VAN SEGGELEN			

Results/Résultats

Pos	Name/Nom
1	Roman KHORTIV, Tokugawa

U21F -70 kg

Competitors/Compétiteurs

#	Name/Nom	Grade	Club	1	2	3	W/G	Pts	Pos
1	Callie RENDER	1D	Lethbridge	XX		10	1	10	2
2	Meadow MACDONALD	1D	Lethbridge	10	XX	10	2	20	1
3	Mackenzie QUERIN	Blue	Hoku Sei Kan			XX	0	0	3

Matches/Matches

Match	White/Blanc			Blue/Bleu	Res/Rés	Tim/Tmp	Code
A-89	Callie RENDER	1	2	Meadow MACDONALD	0 - 10	2:45	IPO
A-95	Callie RENDER	1	3	Mackenzie QUERIN	10 - 0	0:27	WIP
A-101	Meadow MACDONALD	2	3	Mackenzie QUERIN	10 - 0	0:17	IPO

Results/Résultats

Pos	Name/Nom
1	Meadow MACDONALD, Lethbridge
2	Callie RENDER, Lethbridge

U21M -66 kg

Competitors/Compétiteurs

#	Name/Nom	Grade	Club	1	W/G	Pts	Pos
1	Sawyer ALTHOUSE	Brown	Lethbridge	XX	0	0	1

Matches/Matches

Match	White/Blanc	Blue/Bleu	Res/Rés	Tim/Tmp	Code
-------	-------------	-----------	---------	---------	------

Results/Résultats

Pos	Name/Nom

U21M -81 kg

Competitors/Compétiteurs

#	Name/Nom	Grade	Club	1	2	3	4	W/G	Pts	Pos
1	Ethan DEEG	Brown	Tokugawa	XX	10	10	10	3	30	1
2	Tyson THORNTON	1D	Tokugawa		XX	10		1	10	3
3	Eoin IVORY	Green	Airdrie			XX		0	0	4
4	Phillip UDMA	Blue	Kodokwai		10	10	XX	2	20	2

Matches/Matches

Match	White/Blanc			Blue/Bleu	Res/Rés	Tim/Tmp	Code
B-90	Ethan DEEG	1	2	Tyson THORNTON	10 - 0	2:53	IPO
B-91	Eoin IVORY	3	4	Phillip UDMA	0 - 10	1:45	IPO
B-97	Ethan DEEG	1	3	Eoin IVORY	10 - 0	2:08	WIP
B-98	Tyson THORNTON	2	4	Phillip UDMA	0 - 10	1:32	IPO
B-104	Ethan DEEG	1	4	Phillip UDMA	10 - 0	0:49	IPO
B-105	Tyson THORNTON	2	3	Eoin IVORY	10 - 0	1:16	IPO

Results/Résultats

Pos	Name/Nom
1	Ethan DEEG, Tokugawa
2	Phillip UDMA, Kodokwai
3	Tyson THORNTON, Tokugawa

VetMBB Heavy

Competitors/Compétiteurs

#	Name/Nom	Grade	Club	1	2	3	4	W/G	Pts	Pos
1	Hesham ELHEGAZY	1D	Kodokwai	XX			10	1	10	3
2	Simon TREMBLAY	1D	Kodokwai	10	XX	10	10	3	30	1
3	Robin KURPJUWEIT	1D	Medicine Hat	10		XX	10	2	20	2
4	Craig COUGHLAN	Brown	Hiro's				XX	0	0	4

Matches/Matches

Match	White/Blanc			Blue/Bleu	Res/Rés	Tim/Tmp	Code
A-129	Hesham ELHEGAZY	1	2	Simon TREMBLAY	0 - 10	3:37	HAN
A-130	Robin KURPJUWEIT	3	4	Craig COUGHLAN	10 - 0	0:41	IPO
A-132	Hesham ELHEGAZY	1	3	Robin KURPJUWEIT	0 - 10	0:23	WIP
A-133	Simon TREMBLAY	2	4	Craig COUGHLAN	10 - 0	1:29	IPO
A-135	Hesham ELHEGAZY	1	4	Craig COUGHLAN	10 - 0	3:35	GSW
A-136	Simon TREMBLAY	2	3	Robin KURPJUWEIT	10 - 0	0:43	IPO

Results/Résultats

Pos	Name/Nom
1	Simon TREMBLAY, Kodokwai
2	Robin KURPJUWEIT, Medicine Hat
3	Hesham ELHEGAZY, Kodokwai

VetMBB Light

Competitors/Compétiteurs

#	Name/Nom	Grade	Club	1	2	3	W/G	Pts	Pos
1	Taoufik MAACH	3D	Kodokwai	XX	10		1	10	2
2	Mikhail URITSKY	3D	Kodokwai		XX		0	0	3
3	Ivan ZALESKIKH	1D	St. Albert	10	10	XX	2	20	1

Matches/Matches

Match	White/Blanc			Blue/Bleu	Res/Rés	Tim/Tmp	Code
A-131	Taoufik MAACH	1	2	Mikhail URITSKY	10 - 0	2:45	WIP
A-134	Taoufik MAACH	1	3	Ivan ZALESKIKH	0 - 10	0:27	IPO
A-137	Mikhail URITSKY	2	3	Ivan ZALESKIKH	0 - 10	0:40	IPO

Results/Résultats

Pos	Name/Nom
1	Ivan ZALESKIKH, St. Albert
2	Taoufik MAACH, Kodokwai

VetMBB Middle

Competitors/Compétiteurs

#	Name/Nom	Grade	Club	1	2	3	4	W/G	Pts	Pos
1	Marc SAINT-MARTIN	1D	St. Albert	XX	10	10	10	3	30	1
2	Kyle CROWELL	1D	St. Albert		XX			0	0	4
3	Justin WHITE	Brown	Airdrie		10	XX		1	10	3
4	Shane DAUPHINEE	Brown	Tolide		10	10	XX	2	20	2

Matches/Matches

Match	White/Blanc			Blue/Bleu	Res/Rés	Tim/Tmp	Code
B-127	Marc SAINT-MARTIN	1	2	Kyle CROWELL	10 - 0	0:00	FUS
B-128	Justin WHITE	3	4	Shane DAUPHINEE	0 - 10	0:37	WIP
B-130	Marc SAINT-MARTIN	1	3	Justin WHITE	10 - 0	1:30	IPO
B-131	Kyle CROWELL	2	4	Shane DAUPHINEE	0 - 10	0:00	FUS
B-133	Marc SAINT-MARTIN	1	4	Shane DAUPHINEE	10 - 0	2:34	IPO
B-134	Kyle CROWELL	2	3	Justin WHITE	0 - 10	0:00	FUS

Results/Résultats

Pos	Name/Nom
1	Marc SAINT-MARTIN, St. Albert
2	Shane DAUPHINEE, Tolide
3	Justin WHITE, Airdrie

VetMYB Heavy

Competitors/Compétiteurs

#	Name/Nom	Grade	Club	1	2	1	2	1	2	W/G	Pts	Pos
1	Drake MORELAND	Yellow	St. Albert	XX		XX		XX		0	0	2
2	Richard TURNER	Blue	Ishi Yama	10	XX	10	XX		XX	2	20	1

Matches/Matches

Match	White/Blanc			Blue/Bleu	Res/Rés	Tim/Tmp	Code
C-128	Drake MORELAND	1	2	Richard TURNER	0 - 10	0:33	WIP
C-130	Richard TURNER	2	1	Drake MORELAND	10 - 0	1:01	IPO
C-132	Drake MORELAND	1	2	Richard TURNER			

Results/Résultats

Pos	Name/Nom
1	Richard TURNER, Ishi Yama

VetMYB Light

Competitors/Compétiteurs

#	Name/Nom	Grade	Club	1	2	3	W/G	Pts	Pos
1	Matthew KWOK	Orange	Ishi Yama	XX			0	0	3
2	Billy-Joe BALDONADO	Green	Ishi Yama	10	XX	10	2	20	1
3	Terrance KOBES	Orange	Ryu Senshi	10		XX	1	10	2

Matches/Matches

Match	White/Blanc			Blue/Bleu	Res/Rés	Tim/Tmp	Code
B-129	Matthew KWOK	1	2	Billy-Joe BALDONADO	0 - 10	0:31	WIP
B-132	Matthew KWOK	1	3	Terrance KOBES	0 - 10	0:41	IPO
B-135	Billy-Joe BALDONADO	2	3	Terrance KOBES	10 - 0	1:01	IPO

Results/Résultats

Pos	Name/Nom
1	Billy-Joe BALDONADO, Ishi Yama
2	Terrance KOBES, Ryu Senshi

VetMYB Middle

Competitors/Compétiteurs

#	Name/Nom	Grade	Club	1	2	3	W/G	Pts	Pos
1	Shaun REIGER	Orange	Kodokwai	XX			0	0	3
2	Ayman ETBAIL	Blue	Kodokwai	10	XX		1	10	2
3	Danny RUPERT	Green	Tolide	10	10	XX	2	20	1

Matches/Matches

Match	White/Blanc			Blue/Bleu	Res/Rés	Tim/Tmp	Code
C-131	Shaun REIGER	1	2	Ayman ETBAIL	0 - 10	0:14	IPO
C-129	Shaun REIGER	1	3	Danny RUPERT	0 - 10	1:00	IPO
C-133	Ayman ETBAIL	2	3	Danny RUPERT	0 - 10	2:33	IPO

Results/Résultats

Pos	Name/Nom
1	Danny RUPERT, Tolide
2	Ayman ETBAIL, Kodokwai