

U14F -32 kg

Competitors

#	Name	Grade	Club	1	2	1	2	1	2	Wins	Pts	Pos
1	BRYNN IWAASA	Green	Lethbridge Kyodokan	XX		XX		XX		0	0	2
2	Olivia GOSSELIN	Orange	Kodokwai	5	XX	5	XX		XX	2	10	1

Matches

Match	White		Blue	Result	Time	Code	
B-46	BRYNN IWAASA	1	2	Olivia GOSSELIN	0 - 5	3:00	YUK
B-52	BRYNN IWAASA	1	2	Olivia GOSSELIN	0 - 5	3:00	YUK
B-58	BRYNN IWAASA	1	2	Olivia GOSSELIN			

Results

Pos	Name
1	Olivia GOSSELIN, Kodokwai
2	BRYNN IWAASA, Lethbridge Kyodokan

U14F -36 kg

Competitors

#	Name	Grade	Club	1	2	3	4	5	Wins	Pts	Pos
1	Mackenzie QUERIN	Green	Hoku Sei Kan	XX					0	0	5
2	Sienna MCEACHERN	Orange	Hayabusa Training Centre	10	XX	10			2	20	3
3	Chiara GOSSELIN	Orange	Kodokwai	10		XX			1	10	4
4	EVELYN BEATON	Green	Lethbridge Kyodokan	10	10	7	XX	5	4	32	1
5	ALIYA KOLIASKA	Green	Lethbridge Kyodokan	10	10	10		XX	3	30	2

Matches

Match	White			Blue	Result	Time	Code
B-38	EVELYN BEATON	4	5	ALIYA KOLIASKA	5 - 0	3:00	YUK
B-39	Mackenzie QUERIN	1	2	Sienna MCEACHERN	0 - 10	0:52	WIP
B-40	Chiara GOSSELIN	3	4	EVELYN BEATON	0 - 7	3:00	WAZ
B-41	Mackenzie QUERIN	1	5	ALIYA KOLIASKA	0 - 10	0:10	IPO
B-42	Sienna MCEACHERN	2	3	Chiara GOSSELIN	10 - 0	3:00	IPO
B-43	Mackenzie QUERIN	1	4	EVELYN BEATON	0 - 10	0:18	IPO
B-48	Chiara GOSSELIN	3	5	ALIYA KOLIASKA	0 - 10	2:02	WIP
B-49	Sienna MCEACHERN	2	4	EVELYN BEATON	0 - 10	1:14	WIP
B-54	Mackenzie QUERIN	1	3	Chiara GOSSELIN	0 - 10	0:21	WIP
B-55	Sienna MCEACHERN	2	5	ALIYA KOLIASKA	0 - 10	0:38	WIP

Results

Pos	Name
1	EVELYN BEATON, Lethbridge Kyodokan
2	ALIYA KOLIASKA, Lethbridge Kyodokan
3	Sienna MCEACHERN, Hayabusa Training Centre
4	Chiara GOSSELIN, Kodokwai
5	Mackenzie QUERIN, Hoku Sei Kan

U14F -40 kg

Competitors

#	Name	Grade	Club	1	2	3	4	Wins	Pts	Pos
1	RYLIE CALDWELL	Green	Lethbridge Kyodokan	XX			10	1	10	3
2	Natalie FRIESEN	Orange	Kodokwai	7	XX		10	2	17	2
3	Charlize MEDILO	Green	Ishi Yama	10	10	XX	10	3	30	1
4	Jordan SHELLEY	Orange	Hayabusa Training Centre				XX	0	0	4

Matches

Match	White			Blue	Result	Time	Code
C-40	RYLIE CALDWELL	1	2	Natalie FRIESEN	0 - 7	2:00	WAZ
C-41	Charlize MEDILO	3	4	Jordan SHELLEY	10 - 0	0:09	IPO
C-45	RYLIE CALDWELL	1	3	Charlize MEDILO	0 - 10	0:26	IPO
C-46	Natalie FRIESEN	2	4	Jordan SHELLEY	10 - 0	0:41	WIP
C-50	RYLIE CALDWELL	1	4	Jordan SHELLEY	10 - 0	0:10	IPO
C-51	Natalie FRIESEN	2	3	Charlize MEDILO	0 - 10	0:57	IPO

Results

Pos	Name
1	Charlize MEDILO, Ishi Yama
2	Natalie FRIESEN, Kodokwai
3	RYLIE CALDWELL, Lethbridge Kyodokan
4	Jordan SHELLEY, Hayabusa Training Centre

U14F -48 kg

Competitors

#	Name	Grade	Club	1	2	1	2	1	2	Wins	Pts	Pos
1	Anamaria VOICA	Orange	Hiro's	XX	10	XX	10	XX		2	20	1
2	Lily ELLIS	Yellow	Tokugawa		XX		XX		XX	0	0	2

Matches

Match	White			Blue	Result	Time	Code
A-52	Anamaria VOICA	1	2	Lily ELLIS	10 - 0	0:16	IPO
A-58	Anamaria VOICA	1	2	Lily ELLIS	10 - 0	0:51	WIP
A-64	Anamaria VOICA	1	2	Lily ELLIS			

Results

Pos	Name
1	Anamaria VOICA, Hiro's
2	Lily ELLIS, Tokugawa

U14F -57 kg

Competitors

#	Name	Grade	Club	1	2	1	2	1	2	Wins	Pts	Pos
1	GRETA GOASDOU□-WALLACE	Blue	Hiro's	XX	10	XX	10	XX		2	20	1
2	Mia PARKER	O/G	Barracuda		XX		XX		XX	0	0	2

Matches

Match	White			Blue	Result	Time	Code
C-42	GRETA GOASDOU□-WALLACE	1	2	Mia PARKER	10 - 0	1:07	IPO
C-47	GRETA GOASDOU□-WALLACE	1	2	Mia PARKER	10 - 0	1:50	IPO
C-52	GRETA GOASDOU□-WALLACE	1	2	Mia PARKER			

Results

Pos	Name
1	GRETA GOASDOU□-WALLACE, Hiro's
2	Mia PARKER, Barracuda

U14M -34 kg

Competitors

#	Name	Grade	Club	1	2	3	Wins	Pts	Pos
1	Tayven TREMBLAY	Green	St. Albert Tokai	XX	10	10	2	20	1
2	Hugo BROWN	Green	Hiro's		XX	1	1	1	2
3	Liam PARRELL	Green	Tokugawa			XX	0	0	3

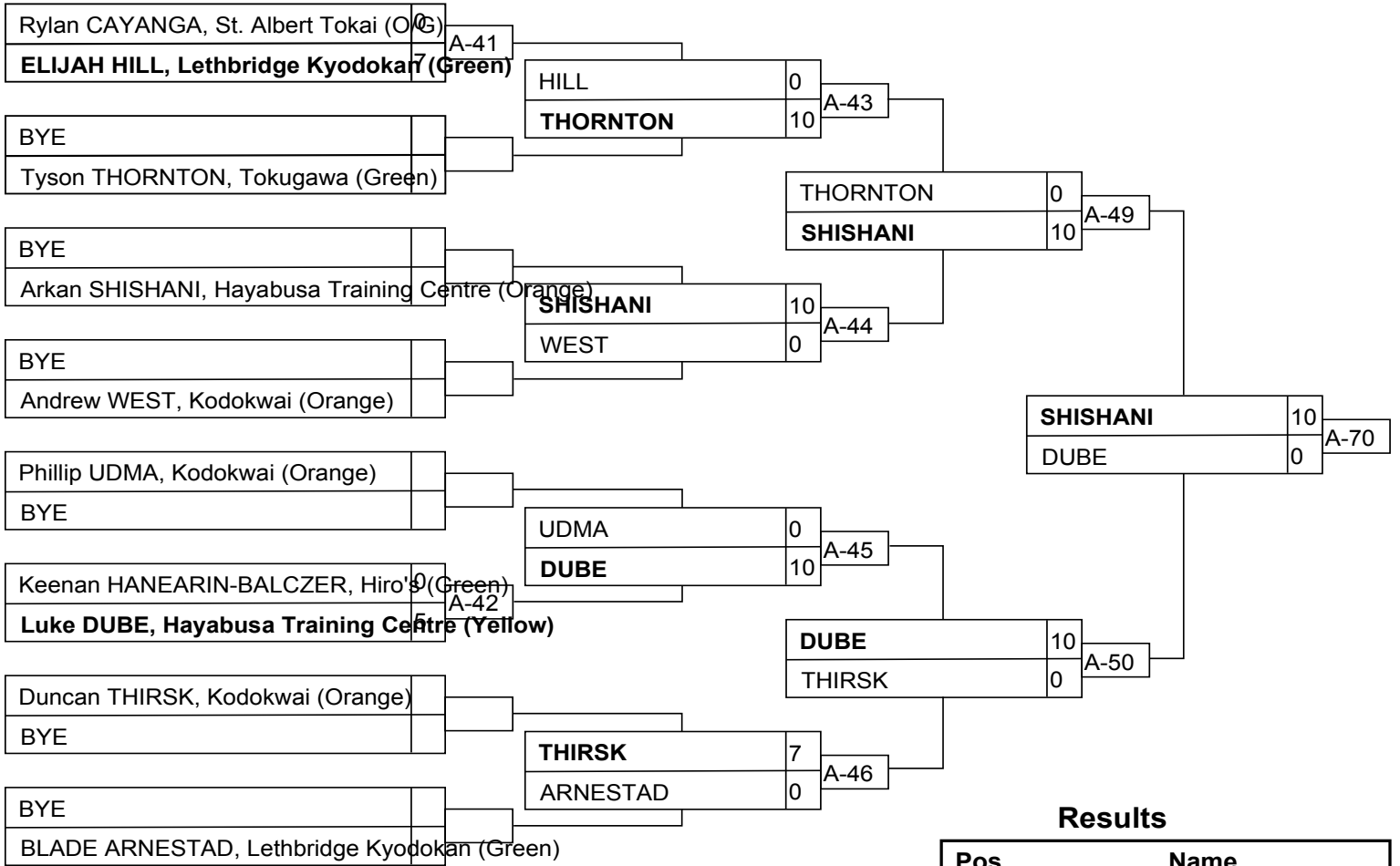
Matches

Match	White			Blue	Result	Time	Code
C-39	Tayven TREMBLAY	1	2	Hugo BROWN	10 - 0	1:05	IPO
C-44	Tayven TREMBLAY	1	3	Liam PARRELL	10 - 0	0:10	IPO
C-49	Hugo BROWN	2	3	Liam PARRELL	1 - 0	2:00	YUS

Results

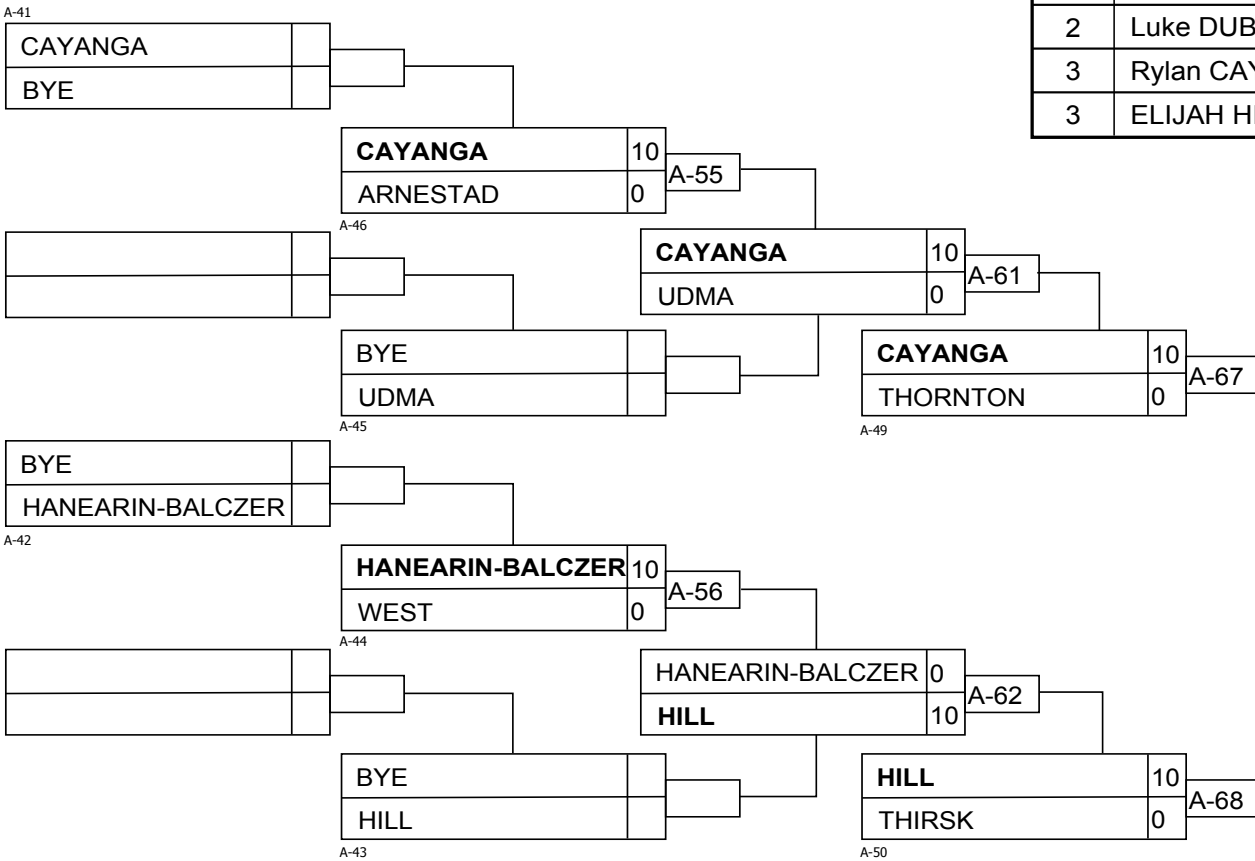
Pos	Name
1	Tayven TREMBLAY, St. Albert Tokai
2	Hugo BROWN, Hiro's
3	Liam PARRELL, Tokugawa

U14M -38 kg



Results

Pos	Name
1	Arkan SHISHANI, Hayabusa Training Centre (Orange)
2	Luke DUBE, Hayabusa Training Centre (Yellow)
3	Rylan CAYANGA, St. Albert Tokai (Orange)
3	ELIJAH HILL, Lethbridge Kyodokan (Green)



U14M -42 kg

Competitors

#	Name	Grade	Club	1	2	3	4	Wins	Pts	Pos
1	Dima ZOTOV	Orange	St. Albert Tokai	XX	10	1	10	3	21	1
2	Aidan HARDING	O/G	Ryu Senshi		XX			0	0	4
3	Nathan ROLFE	Green	Ishi Yama		10	XX		1	10	3
4	TROY GALLANT	Green	Lethbridge Kyodokan		1	7	XX	2	8	2

Matches

Match	White		Blue	Result	Time	Code	
B-44	Dima ZOTOV	1	2	Aidan HARDING	10 - 0	1:23	KIK
B-45	Nathan ROLFE	3	4	TROY GALLANT	0 - 7	3:00	WAZ
B-50	Dima ZOTOV	1	3	Nathan ROLFE	1 - 0	3:00	YUS
B-51	Aidan HARDING	2	4	TROY GALLANT	0 - 1	0:00	YUS
B-56	Dima ZOTOV	1	4	TROY GALLANT	10 - 0	0:37	IPO
B-57	Aidan HARDING	2	3	Nathan ROLFE	0 - 10	0:00	IPO

Results

Pos	Name
1	Dima ZOTOV, St. Albert Tokai
2	TROY GALLANT, Lethbridge Kyodokan
3	Nathan ROLFE, Ishi Yama
4	Aidan HARDING, Ryu Senshi

U14M -46 kg

Competitors

#	Name	Grade	Club	1	2	3	Wins	Pts	Pos
1	Kaleb FRITSEN	Green	Kodokwai	XX	10		1	10	2
2	Elmar ALIYEV	Orange	Kodokwai		XX		0	0	3
3	Anthony GORODETSKY	Green	Ishi Yama	10	10	XX	2	20	1

Matches

Match	White			Blue	Result	Time	Code
C-38	Kaleb FRITSEN	1	2	Elmar ALIYEV	10 - 0	0:50	WIP
C-43	Kaleb FRITSEN	1	3	Anthony GORODETSKY	0 - 10	0:20	IPO
C-48	Elmar ALIYEV	2	3	Anthony GORODETSKY	0 - 10	0:07	IPO

Results

Pos	Name
1	Anthony GORODETSKY, Ishi Yama
2	Kaleb FRITSEN, Kodokwai
3	Elmar ALIYEV, Kodokwai

U14M -50 kg

Competitors A

#	Name	Grade	Club	1	2	3	Wins	Pts	Pos
1	Katsuji LEUNG	Blue	Hiro's	XX	7		1	7	3
2	Matthew CURY	Blue	Tolide		XX	10	1	10	1
3	Victor CRAEVOI	Green	St. Albert Tokai	10		XX	1	10	2

Matches A

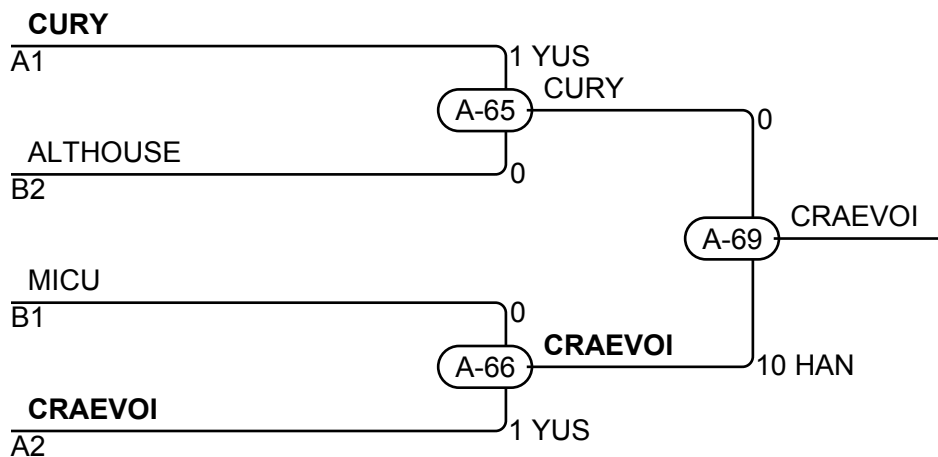
Match	White	Blue	Result	Time	Code
A-47	Katsuji LEUNG	1 2 Matthew CURY	7 - 0	3:00	WAZ
A-53	Katsuji LEUNG	1 3 Victor CRAEVOI	0 - 10	0:31	WIP
A-59	Matthew CURY	2 3 Victor CRAEVOI	10 - 0	0:24	IPO

Competitors B

#	Name	Grade	Club	4	5	6	Wins	Pts	Pos
4	CARTER ALTHOUSE	Green	Lethbridge Kyodokan	XX	1		1	1	2
5	James LABINE	Green	Tokugawa		XX		0	0	3
6	Andrew MICU	Blue	Hiro's	10	10	XX	2	20	1

Matches B

Match	White	Blue	Result	Time	Code
A-48	CARTER ALTHOUSE	4 5 James LABINE	1 - 0	3:00	YUS
A-54	CARTER ALTHOUSE	4 6 Andrew MICU	0 - 10	2:12	IPO
A-60	James LABINE	5 6 Andrew MICU	0 - 10	0:30	IPO



Results

Pos	Name
1	Victor CRAEVOI, St. Albert Tokai
2	Matthew CURY, Tolide
3	CARTER ALTHOUSE, Lethbridge Kyodokan
3	Andrew MICU, Hiro's

U14M -55 kg

Competitors

#	Name	Grade	Club	1	2	1	2	1	2	Wins	Pts	Pos
1	Chris HONOPOULOS	Orange	Kodokwai	XX	10	XX	10	XX		2	20	1
2	Rylan LEAWOOD	Green	Hoku Sei Kan		XX		XX		XX	0	0	2

Matches

Match	White			Blue	Result	Time	Code
B-47	Chris HONOPOULOS	1	2	Rylan LEAWOOD	10 - 0	2:44	HAN
B-53	Chris HONOPOULOS	1	2	Rylan LEAWOOD	10 - 0	1:31	IPO
B-59	Chris HONOPOULOS	1	2	Rylan LEAWOOD			

Results

Pos	Name
1	Chris HONOPOULOS, Kodokwai
2	Rylan LEAWOOD, Hoku Sei Kan

U14M -66 kg

Competitors

#	Name	Grade	Club	1	Wins	Pts	Pos
				X	0	0	1

Matches

Match	White	Blue	Result	Time	Code
-------	-------	------	--------	------	------

Results

Pos	Name
1	

U14M +66 kg

Competitors

#	Name	Grade	Club	1	2	1	2	1	2	Wins	Pts	Pos
1	Pierce BISHOP	Orange	St. Albert Tokai	XX		XX		XX		0	0	2
2	Nour ELFISHAWI	Orange	Kodokwai	10	XX	10	XX		XX	2	20	1

Matches

Match	White			Blue	Result	Time	Code
A-51	Pierce BISHOP	1	2	Nour ELFISHAWI	0 - 10	2:36	WIP
A-57	Pierce BISHOP	1	2	Nour ELFISHAWI	0 - 10	2:31	IPO
A-63	Pierce BISHOP	1	2	Nour ELFISHAWI			

Results

Pos	Name
1	Nour ELFISHAWI, Kodokwai
2	Pierce BISHOP, St. Albert Tokai

U16F -36 kg

Competitors

#	Name	Grade	Club	1	2	3	Wins	Pts	Pos
1	Sienna MCEACHERN	Orange	Hayabusa Training Centre	XX	10		1	10	2
2	Jordan SHELLEY	Orange	Hayabusa Training Centre		XX		0	0	3
3	EVELYN BEATON	Green	Lethbridge Kyodokan	10	10	XX	2	20	1

Matches

Match	White			Blue	Result	Time	Code
C-53	Sienna MCEACHERN	1	2	Jordan SHELLEY	10 - 0	0:01	IPO
C-57	Sienna MCEACHERN	1	3	EVELYN BEATON	0 - 10	0:26	IPO
C-61	Jordan SHELLEY	2	3	EVELYN BEATON	0 - 10	2:26	IPO

Results

Pos	Name
1	EVELYN BEATON, Lethbridge Kyodokan
2	Sienna MCEACHERN, Hayabusa Training Centre
3	Jordan SHELLEY, Hayabusa Training Centre

U16F -44 kg

Competitors

#	Name	Grade	Club	1	2	1	2	1	2	Wins	Pts	Pos
1	Anna PRUS-CZARNECKA	Green	Tokugawa	XX		XX		XX		0	0	2
2	Ema TESANOVIC	Blue	Ishi Yama	10	XX	10	XX		XX	2	20	1

Matches

Match	White			Blue	Result	Time	Code
B-68	Anna PRUS-CZARNECKA	1	2	Ema TESANOVIC	0 - 10	0:47	IPO
B-77	Anna PRUS-CZARNECKA	1	2	Ema TESANOVIC	0 - 10	0:57	IPO
B-86	Anna PRUS-CZARNECKA	1	2	Ema TESANOVIC			

Results

Pos	Name
1	Ema TESANOVIC, Ishi Yama
2	Anna PRUS-CZARNECKA, Tokugawa

U16F -52 kg

Competitors

#	Name	Grade	Club	1	2	3	4	Wins	Pts	Pos
1	EMMA CALDWELL	Blue	Lethbridge Kyodokan	XX	5	10	1	3	16	1
2	CORALEA PIENKOWSKI	Green	Lethbridge Kyodokan		XX	10	10	2	20	2
3	Michelle GRISALES	Blue	Grande Prairie			XX	10	1	10	3
4	Kondelia KARAS	Green	Kodokwai				XX	0	0	4

Matches

Match	White			Blue	Result	Time	Code
B-61	EMMA CALDWELL	1	2	CORALEA PIENKOWSKI	5 - 0	3:00	YUK
B-62	Michelle GRISALES	3	4	Kondelia KARAS	10 - 0	3:00	WIP
B-70	EMMA CALDWELL	1	3	Michelle GRISALES	10 - 0	1:51	IPO
B-71	CORALEA PIENKOWSKI	2	4	Kondelia KARAS	10 - 0	1:28	WIP
B-79	EMMA CALDWELL	1	4	Kondelia KARAS	1 - 0	3:00	YUS
B-80	CORALEA PIENKOWSKI	2	3	Michelle GRISALES	10 - 0	0:40	IPO

Results

Pos	Name
1	EMMA CALDWELL, Lethbridge Kyodokan
2	CORALEA PIENKOWSKI, Lethbridge Kyodokan
3	Michelle GRISALES, Grande Prairie
4	Kondelia KARAS, Kodokwai

U16F -57 kg

Competitors

#	Name	Grade	Club	1	2	3	Wins	Pts	Pos
1	Kelley POLOWY	Green	Kodokwai	XX	10		1	10	2
2	Maja URWIMANZI	Orange	Tolide		XX		0	0	3
3	Isabella SHEPANSKY	Yellow	Hayabusa Training Centre	10	10	XX	2	20	1

Matches

Match	White			Blue	Result	Time	Code
A-79	Kelley POLOWY	1	2	Maja URWIMANZI	10 - 0	0:30	IPO
A-83	Kelley POLOWY	1	3	Isabella SHEPANSKY	0 - 10	1:10	WIP
A-88	Maja URWIMANZI	2	3	Isabella SHEPANSKY	0 - 10	0:58	WIP

Results

Pos	Name
1	Isabella SHEPANSKY, Hayabusa Training Centre
2	Kelley POLOWY, Kodokwai
3	Maja URWIMANZI, Tolide

U16F +70 kg

Competitors

#	Name	Grade	Club	1	Wins	Pts	Pos
				X	0	0	1

Matches

Match	White	Blue	Result	Time	Code
-------	-------	------	--------	------	------

Results

Pos	Name
1	

U16M -38 kg

Competitors A

#	Name	Grade	Club	1	2	3	Wins	Pts	Pos
1	Douglas O'BRIEN	Blue	Hiro's	XX	10	10	2	20	1
2	Luke DUBE	Yellow	Hayabusa Training Centre		XX		0	0	3
3	Victor VYSCOTSKI	Green	Kodokwai		1	XX	1	1	2

Matches A

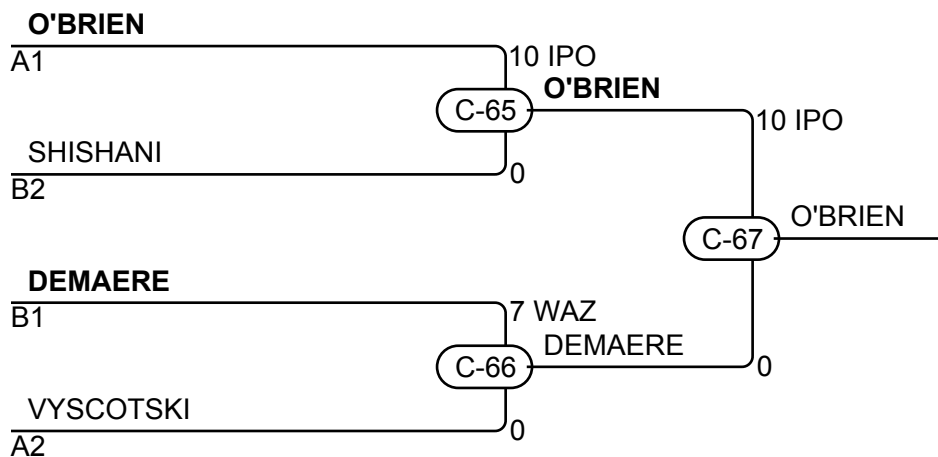
Match	White	Blue	Result	Time	Code
C-54	Douglas O'BRIEN	Luke DUBE	10 - 0	1:27	IPO
C-58	Douglas O'BRIEN	Victor VYSCOTSKI	10 - 0	2:25	IPO
C-62	Luke DUBE	Victor VYSCOTSKI	0 - 1	3:00	YUS

Competitors B

#	Name	Grade	Club	4	5	6	Wins	Pts	Pos
4	Arkan SHISHANI	Orange	Hayabusa Training Centre	XX		10	1	10	2
5	CALEB DEMAERE	Green	Lethbridge Kyodokan	10	XX	10	2	20	1
6	Scott BROWN	Green	Hiro's			XX	0	0	3

Matches B

Match	White	Blue	Result	Time	Code
C-55	Arkan SHISHANI	CALEB DEMAERE	0 - 10	0:27	IPO
C-59	Arkan SHISHANI	Scott BROWN	10 - 0	1:40	IPO
C-63	CALEB DEMAERE	Scott BROWN	10 - 0	0:12	IPO



Results

Pos	Name
1	Douglas O'BRIEN, Hiro's
2	CALEB DEMAERE, Lethbridge Kyodokan
3	Arkan SHISHANI, Hayabusa Training Centre
3	Victor VYSCOTSKI, Kodokwai

U16M -42 kg

Competitors

#	Name	Grade	Club	1	2	1	2	1	2	Wins	Pts	Pos
1	Tymour ANAN	Green	Hiro's	XX	10	XX	10	XX		2	20	1
2	Chris MOGDAN	Green	Hiro's		XX		XX		XX	0	0	2

Matches

Match	White			Blue	Result	Time	Code
B-60	Tymour ANAN	1	2	Chris MOGDAN	10 - 0	1:17	IPO
B-69	Tymour ANAN	1	2	Chris MOGDAN	10 - 0	2:21	IPO
B-78	Tymour ANAN	1	2	Chris MOGDAN			

Results

Pos	Name
1	Tymour ANAN, Hiro's
2	Chris MOGDAN, Hiro's

U16M -46 kg

Competitors A

#	Name	Grade	Club	1	2	3	Wins	Pts	Pos
1	Spencer MCDANIEL	Green	Kodokwai	XX	10	10	2	20	1
2	Chris WEST	Green	Kodokwai		XX	5	1	5	2
3	Jarrett HANEARIN-BALCZER	Blue	Hiro's			XX	0	0	3

Matches A

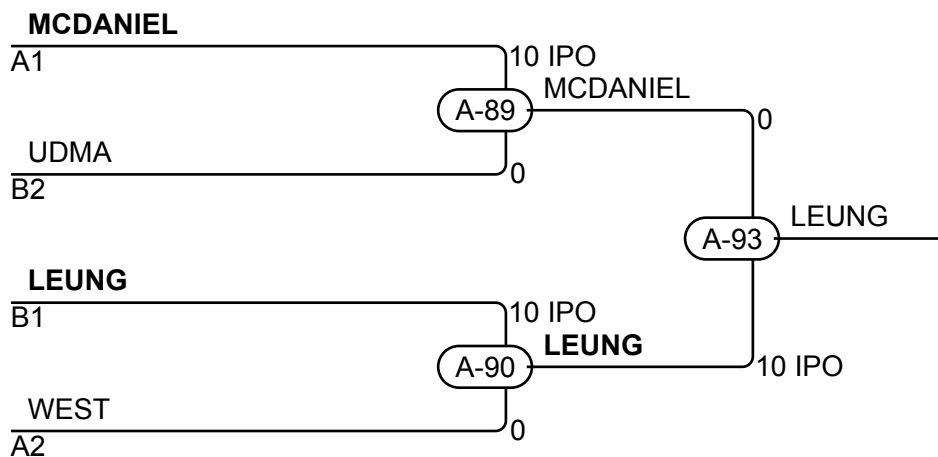
Match	White	Blue	Result	Time	Code
A-75	Spencer MCDANIEL 1 2	Chris WEST	10 - 0	1:08	IPO
A-81	Spencer MCDANIEL 1 3	Jarrett HANEARIN-BALCZER	10 - 0	2:15	WIP
A-85	Chris WEST 2 3	Jarrett HANEARIN-BALCZER	5 - 0	3:00	YUK

Competitors B

#	Name	Grade	Club	4	5	6	Wins	Pts	Pos
4	Samuel UDMA	Green	Kodokwai	XX		10	1	10	2
5	Katsuo LEUNG	Blue	Hiro's	10	XX	10	2	20	1
6	Reese BUTLIN	Yellow	St. Albert Tokai			XX	0	0	3

Matches B

Match	White	Blue	Result	Time	Code
A-76	Samuel UDMA 4 5	Katsuo LEUNG	0 - 10	1:04	IPO
A-82	Samuel UDMA 4 6	Reese BUTLIN	10 - 0	0:46	IPO
A-86	Katsuo LEUNG 5 6	Reese BUTLIN	10 - 0	1:40	WIP



Results

Pos	Name
1	Katsuo LEUNG, Hiro's
2	Spencer MCDANIEL, Kodokwai
3	Samuel UDMA, Kodokwai
3	Chris WEST, Kodokwai

U16M -50 kg

Competitors A

#	Name	Grade	Club	1	2	3	Wins	Pts	Pos
1	Skylar TRINIER	Green	Tokugawa	XX	10	10	2	20	1
2	Andrew MICU	Blue	Hiro's		XX		0	0	3
3	Alexander WILCZEK	Blue	Hiro's		10	XX	1	10	2

Matches A

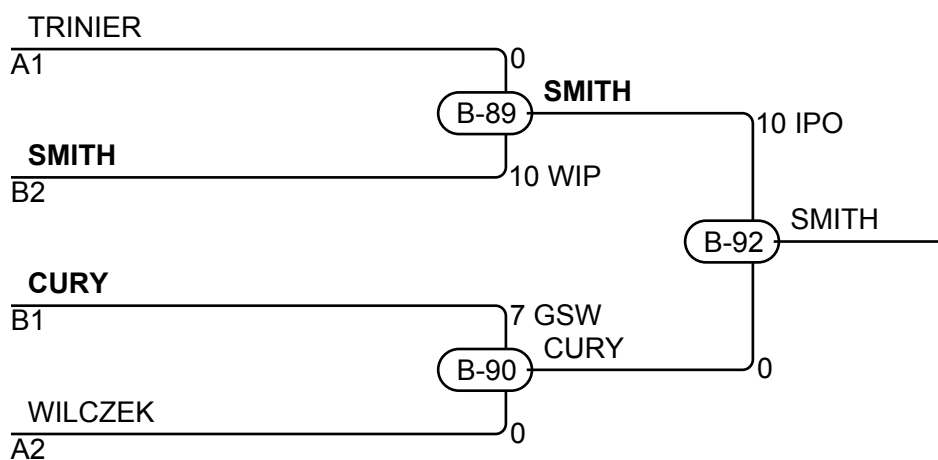
Match	White	Blue	Result	Time	Code
B-66	Skylar TRINIER 1 2	Andrew MICU	10 - 0	2:35	IPO
B-75	Skylar TRINIER 1 3	Alexander WILCZEK	10 - 0	0:13	IPO
B-84	Andrew MICU 2 3	Alexander WILCZEK	0 - 10	0:25	IPO

Competitors B

#	Name	Grade	Club	4	5	6	Wins	Pts	Pos
4	Boyd HUM	Green	Airdrie	XX			0	0	3
5	Matthew CURY	Blue	Tolide	10	XX	10	2	20	1
6	ALEX SMITH	Green	Lethbridge Kyodokan	10		XX	1	10	2

Matches B

Match	White	Blue	Result	Time	Code
B-67	Boyd HUM 4 5	Matthew CURY	0 - 10	0:28	IPO
B-76	Boyd HUM 4 6	ALEX SMITH	0 - 10	1:44	IPO
B-85	Matthew CURY 5 6	ALEX SMITH	10 - 0	1:44	IPO



Results

Pos	Name
1	ALEX SMITH, Lethbridge Kyodokan
2	Matthew CURY, Tolide
3	Skylar TRINIER, Tokugawa
3	Alexander WILCZEK, Hiro's

U16M -55 kg

Competitors A

#	Name	Grade	Club	1	2	3	4	Wins	Pts	Pos
1	BRADY DIXON	Brown	Lethbridge Kyodokan	XX	10	10	1	3	21	1
2	Ruslan FRANKIV	Green	Kodokwai		XX	10		1	10	3
3	PARKER GUENTHER	Orange	Red Deer			XX		0	0	4
4	Jakob GORODETSKY	Blue	Ishi Yama		10	10	XX	2	20	2

Matches A

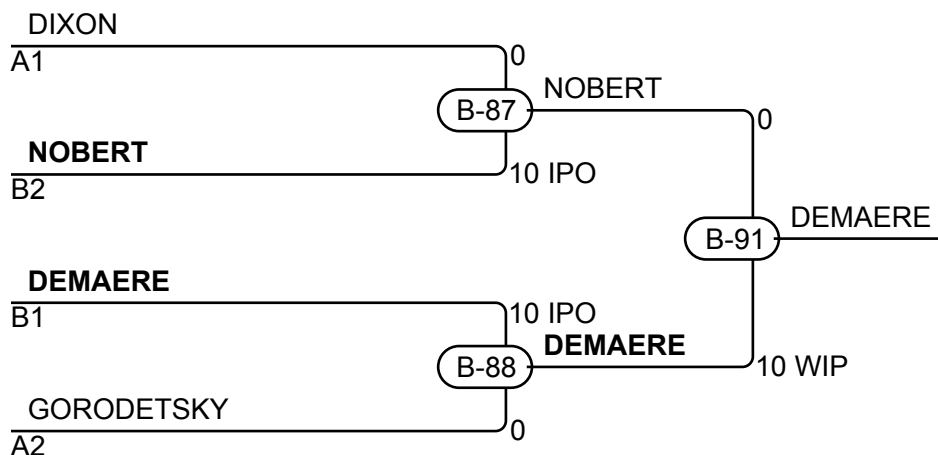
Match	White	Blue	Result	Time	Code
B-63	BRADY DIXON	1 2 Ruslan FRANKIV	10 - 0	0:26	WIP
B-64	PARKER GUENTHER	3 4 Jakob GORODETSKY	0 - 10	0:53	WIP
B-72	BRADY DIXON	1 3 PARKER GUENTHER	10 - 0	0:50	WIP
B-73	Ruslan FRANKIV	2 4 Jakob GORODETSKY	0 - 10	0:47	IPO
B-81	BRADY DIXON	1 4 Jakob GORODETSKY	1 - 0	4:10	GSD
B-82	Ruslan FRANKIV	2 3 PARKER GUENTHER	10 - 0	1:07	WIP

Competitors B

#	Name	Grade	Club	5	6	7	Wins	Pts	Pos
5	DEAN SMITH	Green	Lethbridge Kyodokan	XX			0	0	3
6	NATHAN DEMAERE	Blue	Lethbridge Kyodokan	10	XX	10	2	20	1
7	Seth NOBERT	Green	Hayabusa Training Centre	10		XX	1	10	2

Matches B

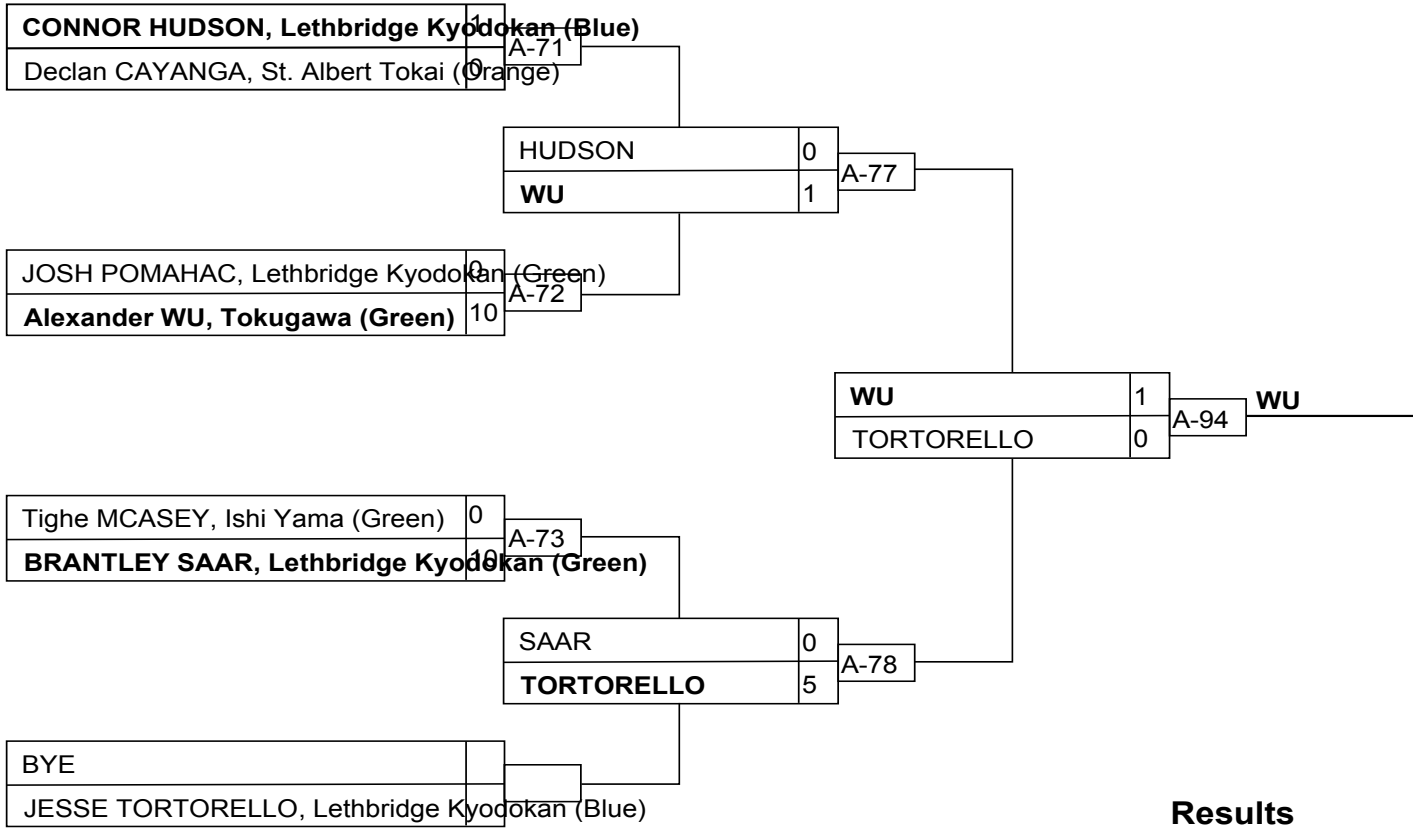
Match	White	Blue	Result	Time	Code
B-65	DEAN SMITH	5 6 NATHAN DEMAERE	0 - 10	1:15	IPO
B-74	DEAN SMITH	5 7 Seth NOBERT	0 - 10	0:21	IPO
B-83	NATHAN DEMAERE	6 7 Seth NOBERT	10 - 0	0:11	IPO



Results

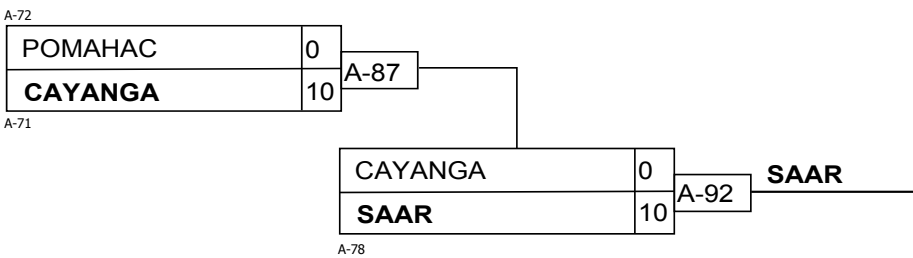
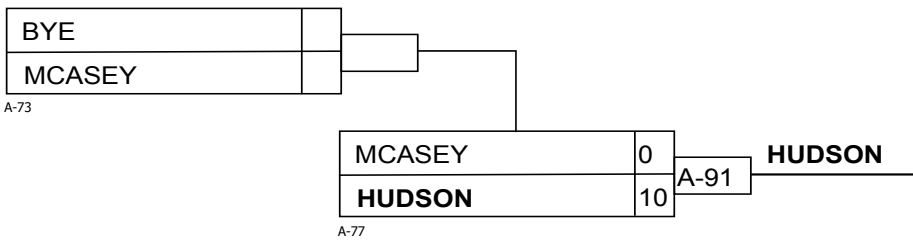
Pos	Name
1	NATHAN DEMAERE, Lethbridge Kyodokan
2	Seth NOBERT, Hayabusa Training Centre
3	BRADY DIXON, Lethbridge Kyodokan
3	Jakob GORODETSKY, Ishi Yama

U16M -60 kg



Results

Pos	Name
1	Alexander WU, Tokugawa (Green)
2	JESSE TORTORELLO, Lethbridge Kyodokan (Blue)
3	CONNOR HUDSON, Lethbridge Kyodokan (Blue)
3	BRANTLEY SAAR, Lethbridge Kyodokan (Green)



U16M -66 kg

Competitors

#	Name	Grade	Club	1	2	3	Wins	Pts	Pos
1	Brett DUDAR	Green	Hayabusa Training Centre	XX	10	10	2	20	1
2	Noah SEXSMITH	Yellow	Hayabusa Training Centre		XX		0	0	3
3	Chris POLOWY	Orange	Kodokwai		1	XX	1	1	2

Matches

Match	White			Blue	Result	Time	Code
C-56	Brett DUDAR	1	2	Noah SEXSMITH	10 - 0	0:17	IPO
C-60	Brett DUDAR	1	3	Chris POLOWY	10 - 0	2:02	IPO
C-64	Noah SEXSMITH	2	3	Chris POLOWY	0 - 1	3:00	YUS

Results

Pos	Name
1	Brett DUDAR, Hayabusa Training Centre
2	Chris POLOWY, Kodokwai
3	Noah SEXSMITH, Hayabusa Training Centre

U16M -73 kg

Competitors

#	Name	Grade	Club	1	2	1	2	1	2	Wins	Pts	Pos
1	TAYLOR ALTHOUSE	Blue	Lethbridge Kyodokan	XX	10	XX		XX		1	10	2
2	JOSH HILL	Blue	Lethbridge Kyodokan		XX	10	XX	7	XX	2	17	1

Matches

Match	White			Blue	Result	Time	Code
A-74	TAYLOR ALTHOUSE	1	2	JOSH HILL	10 - 0	1:35	IPO
A-80	TAYLOR ALTHOUSE	1	2	JOSH HILL	0 - 10	1:09	WIP
A-84	TAYLOR ALTHOUSE	1	2	JOSH HILL	0 - 7	3:00	WAZ

Results

Pos	Name
1	JOSH HILL, Lethbridge Kyodokan
2	TAYLOR ALTHOUSE, Lethbridge Kyodokan

U16M +73 kg

Competitors

#	Name	Grade	Club	1	Wins	Pts	Pos
1	Ahmed GHANEM	Orange	St. Albert Tokai	X	0	0	1

Matches

Match	White	Blue	Result	Time	Code
-------	-------	------	--------	------	------

Results

Pos	Name
1	Ahmed GHANEM, St. Albert Tokai

U18F -44 kg

Competitors

#	Name	Grade	Club	1	2	1	2	1	2	Wins	Pts	Pos
1	Ema TESANOVIC	Blue	Ishi Yama	XX	10	XX	10	XX		2	20	1
2	Delayne ROWLAND	Blue	Grande Prairie		XX		XX		XX	0	0	2

Matches

Match	White			Blue	Result	Time	Code
C-77	Ema TESANOVIC	1	2	Delayne ROWLAND	10 - 0	2:19	WIP
C-81	Ema TESANOVIC	1	2	Delayne ROWLAND	10 - 0	2:31	IPO
C-87	Ema TESANOVIC	1	2	Delayne ROWLAND			

Results

Pos	Name
1	Ema TESANOVIC, Ishi Yama
2	Delayne ROWLAND, Grande Prairie

U18F -52 kg

Competitors

#	Name	Grade	Club	1	2	3	4	Wins	Pts	Pos
1	KIERA WESTLAKE	Brown	Lethbridge Kyodokan	XX	10	10	10	3	30	1
2	EMMA CALDWELL	Blue	Lethbridge Kyodokan		XX	10	10	2	20	2
3	Despina CHRISTOU	Blue	Hiro's			XX	7	1	7	3
4	Michelle GRISALES	Blue	Grande Prairie				XX	0	0	4

Matches

Match	White			Blue	Result	Time	Code
A-96	KIERA WESTLAKE	1	2	EMMA CALDWELL	10 - 0	0:32	IPO
A-97	Despina CHRISTOU	3	4	Michelle GRISALES	7 - 0	4:00	WAZ
A-101	KIERA WESTLAKE	1	3	Despina CHRISTOU	10 - 0	1:53	IPO
A-102	EMMA CALDWELL	2	4	Michelle GRISALES	10 - 0	0:21	IPO
A-106	KIERA WESTLAKE	1	4	Michelle GRISALES	10 - 0	0:01	IPO
A-107	EMMA CALDWELL	2	3	Despina CHRISTOU	10 - 0	0:45	IPO

Results

Pos	Name
1	KIERA WESTLAKE, Lethbridge Kyodokan
2	EMMA CALDWELL, Lethbridge Kyodokan
3	Despina CHRISTOU, Hiro's
4	Michelle GRISALES, Grande Prairie

U18F -57 kg

Competitors

#	Name	Grade	Club	1	2	3	Wins	Pts	Pos
1	KIYOMI COFFMAN	Blue	Lethbridge Kyodokan	XX	10		1	10	2
2	MATTIE CALDWELL	Blue	Lethbridge Kyodokan		XX		0	0	3
3	Isabella SHEPANSKY	Yellow	Hayabusa Training Centre	7	10	XX	2	17	1

Matches

Match	White			Blue	Result	Time	Code
A-95	KIYOMI COFFMAN	1	2	MATTIE CALDWELL	10 - 0	1:17	IPO
A-100	KIYOMI COFFMAN	1	3	Isabella SHEPANSKY	0 - 7	1:39	WAZ
A-105	MATTIE CALDWELL	2	3	Isabella SHEPANSKY	0 - 10	1:05	WIP

Results

Pos	Name
1	Isabella SHEPANSKY, Hayabusa Training Centre
2	KIYOMI COFFMAN, Lethbridge Kyodokan
3	MATTIE CALDWELL, Lethbridge Kyodokan

U18F -70 kg

Competitors

#	Name	Grade	Club	1	Wins	Pts	Pos
				X	0	0	1

Matches

Match	White	Blue	Result	Time	Code
-------	-------	------	--------	------	------

Results

Pos	Name
1	

U18F +70 kg

Competitors

#	Name	Grade	Club	1	2	1	2	1	2	Wins	Pts	Pos
1	Zoe ELLIS	Yellow	Tokugawa	XX		XX		XX		0	0	2
2	ANNABELLE DARLOW	Blue	Lethbridge Kyodokan	10	XX	10	XX		XX	2	20	1

Matches

Match	White			Blue	Result	Time	Code
A-98	Zoe ELLIS	1	2	ANNABELLE DARLOW	0 - 10	0:16	IPO
A-103	Zoe ELLIS	1	2	ANNABELLE DARLOW	0 - 10	1:01	IPO
A-108	Zoe ELLIS	1	2	ANNABELLE DARLOW			

Results

Pos	Name
1	ANNABELLE DARLOW, Lethbridge Kyodokan
2	Zoe ELLIS, Tokugawa

U18M -46 kg

Competitors A

#	Name	Grade	Club	1	2	3	Wins	Pts	Pos
1	Spencer MCDANIEL	Green	Kodokwai	XX	10		1	10	2
2	Chris MOGDAN	Green	Hiro's		XX		0	0	3
3	Katsuo LEUNG	Blue	Hiro's	5	10	XX	2	15	1

Matches A

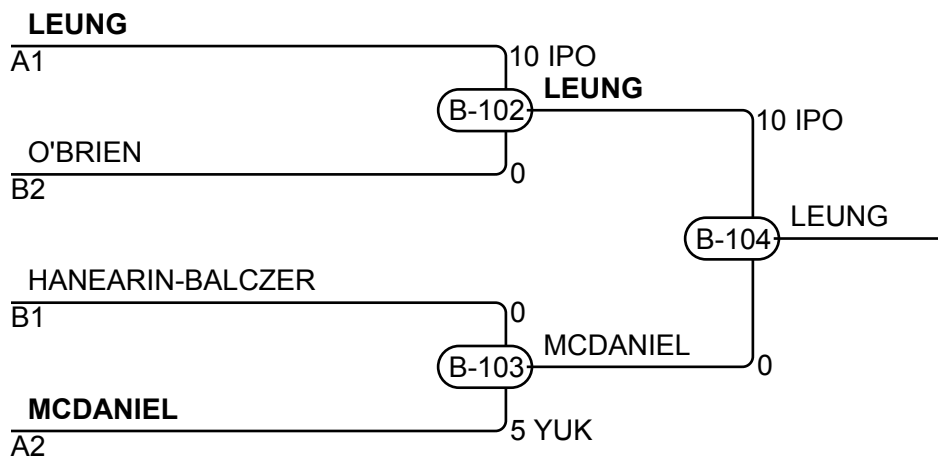
Match	White	Blue	Result	Time	Code
B-93	Spencer MCDANIEL 1 2	Chris MOGDAN	10 - 0	0:10	IPO
B-96	Spencer MCDANIEL 1 3	Katsuo LEUNG	0 - 5	4:00	YUK
B-99	Chris MOGDAN 2 3	Katsuo LEUNG	0 - 10	0:39	WIP

Competitors B

#	Name	Grade	Club	4	5	6	Wins	Pts	Pos
4	Jarrett HANEARIN-BALCZER	Blue	Hiro's	XX	10	10	2	20	1
5	Douglas O'BRIEN	Blue	Hiro's		XX	10	1	10	2
6	Tymour ANAN	Green	Hiro's			XX	0	0	3

Matches B

Match	White	Blue	Result	Time	Code
B-94	Jarrett HANEARIN-BALCZER 4 5	Douglas O'BRIEN	10 - 0	0:36	IPO
B-97	Jarrett HANEARIN-BALCZER 4 6	Tymour ANAN	10 - 0	0:48	IPO
B-100	Douglas O'BRIEN 5 6	Tymour ANAN	10 - 0	1:15	WIP



Results

Pos	Name
1	Katsuo LEUNG, Hiro's
2	Spencer MCDANIEL, Kodokwai
3	Douglas O'BRIEN, Hiro's
3	Jarrett HANEARIN-BALCZER, Hiro's

U18M -50 kg

Competitors

#	Name	Grade	Club	1	2	3	Wins	Pts	Pos
1	Declan HARDING	Brown	Ryu Senshi	XX	10	10	2	20	1
2	Vincent GOSSELIN	Green	Kodokwai		XX	10	1	10	2
3	Boyd HUM	Green	Airdrie			XX	0	0	3

Matches

Match	White			Blue	Result	Time	Code
A-99	Declan HARDING	1	2	Vincent GOSSELIN	10 - 0	0:08	IPO
A-104	Declan HARDING	1	3	Boyd HUM	10 - 0	0:58	IPO
A-109	Vincent GOSSELIN	2	3	Boyd HUM	10 - 0	0:19	IPO

Results

Pos	Name
1	Declan HARDING, Ryu Senshi
2	Vincent GOSSELIN, Kodokwai
3	Boyd HUM, Airdrie

U18M -55 kg

Competitors

#	Name	Grade	Club	1	2	3	Wins	Pts	Pos
1	BRADY DIXON	Brown	Lethbridge Kyodokan	XX	7	5	2	12	1
2	Max BROWN	Blue	Hiro's		XX		0	0	3
3	Seth NOBERT	Green	Hayabusa Training Centre		10	XX	1	10	2

Matches

Match	White			Blue	Result	Time	Code
B-95	BRADY DIXON	1	2	Max BROWN	7 - 0	4:00	WAZ
B-98	BRADY DIXON	1	3	Seth NOBERT	5 - 0	4:00	YUK
B-101	Max BROWN	2	3	Seth NOBERT	0 - 10	0:45	IPO

Results

Pos	Name
1	BRADY DIXON, Lethbridge Kyodokan
2	Seth NOBERT, Hayabusa Training Centre
3	Max BROWN, Hiro's

U18M -60 kg

Competitors

#	Name	Grade	Club	1	2	3	4	5	Wins	Pts	Pos
1	Nicholas GAGNON	Brown	Tolide	XX	10		7	10	3	27	2
2	JESSE TORTORELLO	Blue	Lethbridge Kyodokan		XX	10			1	10	5
3	JOEL DEMAERE	Brown	Lethbridge Kyodokan	10		XX	10	10	3	30	1
4	Alexander WU	Green	Tokugawa		10		XX	1	2	11	3
5	Jesse ILLIG	Brown	Tokugawa		10			XX	1	10	4

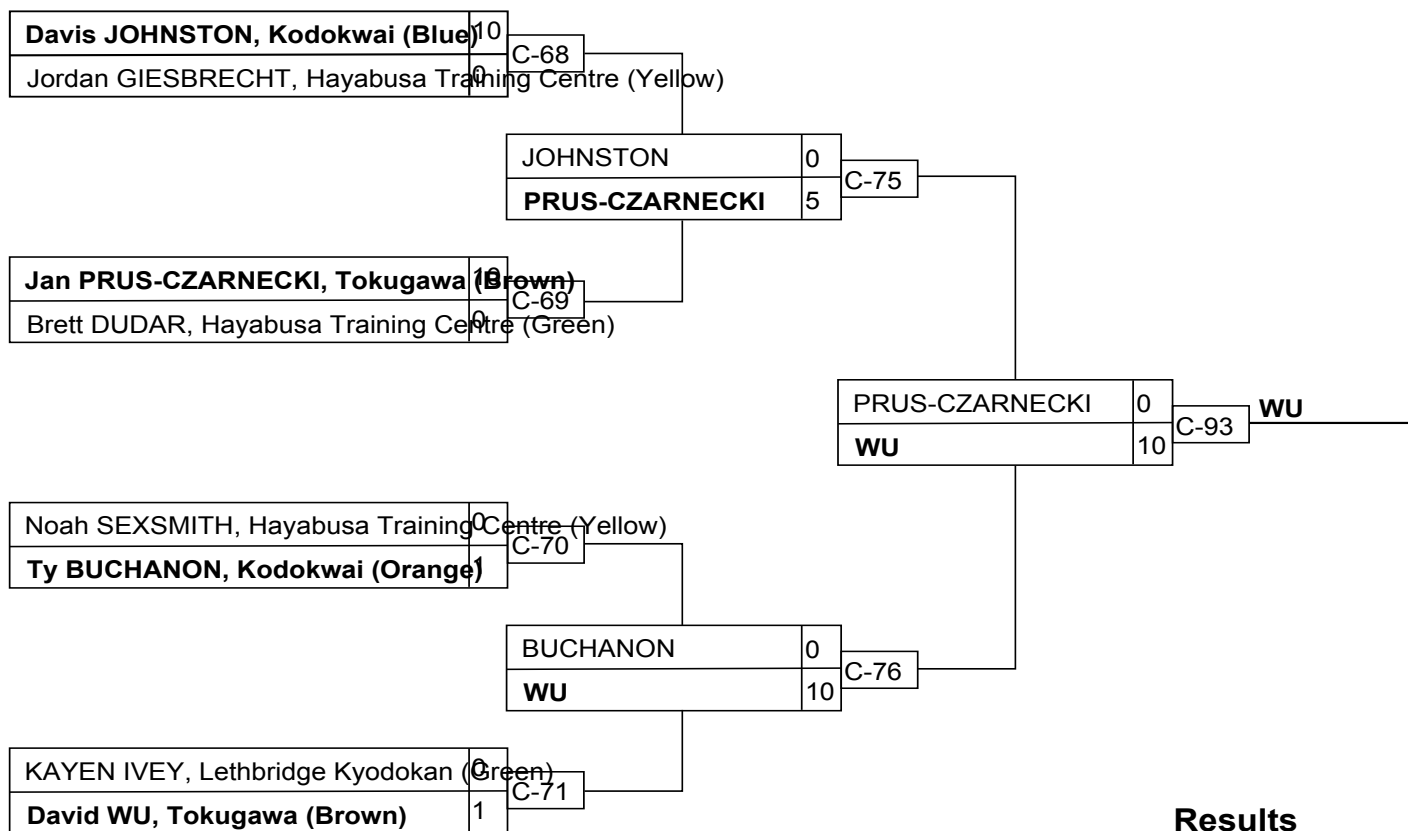
Matches

Match	White		Blue	Result	Time	Code	
B-92C	Alexander WU	4	5	Jesse ILLIG	1 - 0	4:00	YUS
B-92E	Nicholas GAGNON	1	2	JESSE TORTORELLO	10 - 0	2:42	IPO
B-94A	JOEL DEMAERE	3	4	Alexander WU	10 - 0	1:22	IPO
B-94B	Nicholas GAGNON	1	5	Jesse ILLIG	10 - 0	3:44	IPO
B-96A	JESSE TORTORELLO	2	3	JOEL DEMAERE	10 - 0	0:00	IPO
B-96B	Nicholas GAGNON	1	4	Alexander WU	7 - 0	5:39	GSW
B-98A	JOEL DEMAERE	3	5	Jesse ILLIG	10 - 0	0:55	IPO
B-98B	JESSE TORTORELLO	2	4	Alexander WU	0 - 10	0:01	KIK
B-100A	Nicholas GAGNON	1	3	JOEL DEMAERE	0 - 10	0:41	IPO
B-100B	JESSE TORTORELLO	2	5	Jesse ILLIG	0 - 10	0:01	KIK

Results

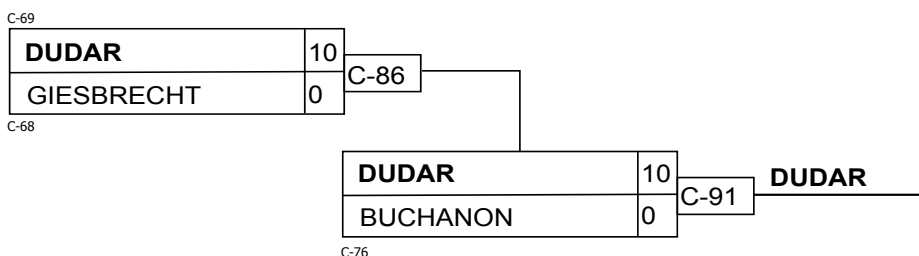
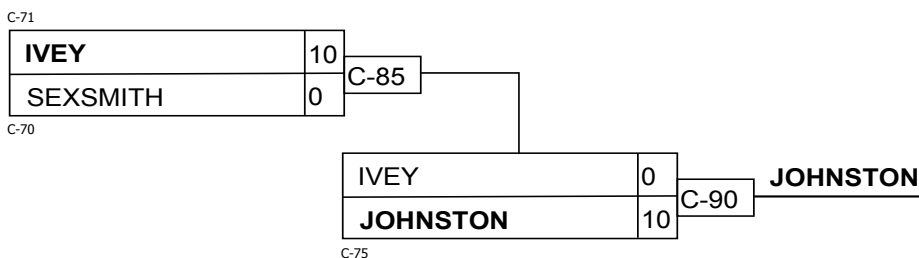
Pos	Name
1	JOEL DEMAERE, Lethbridge Kyodokan
2	Nicholas GAGNON, Tolide
3	Alexander WU, Tokugawa
4	Jesse ILLIG, Tokugawa
5	JESSE TORTORELLO, Lethbridge Kyodokan

U18M -66 kg



Results

Pos	Name
1	David WU, Tokugawa (Brown)
2	Jan PRUS-CZARNECKI, Tokugawa
3	Davis JOHNSTON, Kodokwai (Blue)
3	Brett DUDAR, Hayabusa Training Ce



U18M -73 kg

Competitors A

#	Name	Grade	Club	1	2	3	4	Wins	Pts	Pos
1	ETHAN COBBE-HOGGAN	Green	Lethbridge Kyodokan	XX				0	0	4
2	JOSH HILL	Blue	Lethbridge Kyodokan	5	XX			1	5	3
3	Josh FULCHER	Blue	Kodokwai	10	10	XX		2	20	2
4	Adam THOMSON	Brown	Hiro's	10	10	10	XX	3	30	1

Matches A

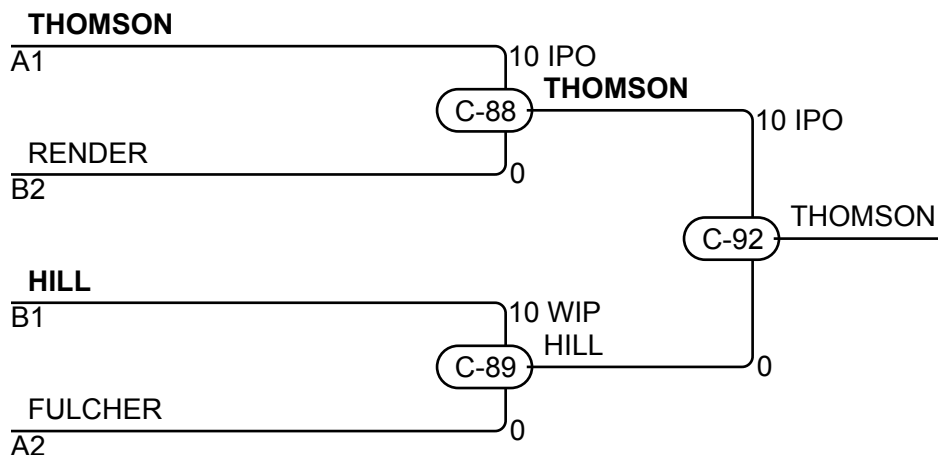
Match	White	Blue	Result	Time	Code
C-72	ETHAN COBBE-HOGGAN 1 2	JOSH HILL	0 - 5	4:00	YUK
C-73	Josh FULCHER 3 4	Adam THOMSON	0 - 10	0:42	WIP
C-78	ETHAN COBBE-HOGGAN 1 3	Josh FULCHER	0 - 10	0:41	IPO
C-79	JOSH HILL 2 4	Adam THOMSON	0 - 10	0:41	IPO
C-82	ETHAN COBBE-HOGGAN 1 4	Adam THOMSON	0 - 10	0:13	IPO
C-83	JOSH HILL 2 3	Josh FULCHER	0 - 10	0:59	IPO

Competitors B

#	Name	Grade	Club	5	6	7	Wins	Pts	Pos
5	CHRISTIAN HILL	Brown	Lethbridge Kyodokan	XX	10	7	2	17	1
6	TAYLOR ALTHOUSE	Blue	Lethbridge Kyodokan		XX		0	0	3
7	ZAC RENDER	Blue	Lethbridge Kyodokan		10	XX	1	10	2

Matches B

Match	White	Blue	Result	Time	Code
C-74	CHRISTIAN HILL 5 6	TAYLOR ALTHOUSE	10 - 0	2:16	WIP
C-80	CHRISTIAN HILL 5 7	ZAC RENDER	7 - 0	4:00	WAZ
C-84	TAYLOR ALTHOUSE 6 7	ZAC RENDER	0 - 10	2:29	IPO



Results

Pos	Name
1	Adam THOMSON, Hiro's
2	CHRISTIAN HILL, Lethbridge Kyodokan
3	ZAC RENDER, Lethbridge Kyodokan
3	Josh FULCHER, Kodokwai

U21F -63 kg

Competitors

#	Name	Grade	Club	1	2	1	2	1	2	Wins	Pts	Pos
1	Suzann CURY	Brown	Tolide	XX		XX		XX		0	0	2
2	Alexandra GAGNON	1D	Tolide	10	XX	10	XX		XX	2	20	1

Matches

Match	White			Blue	Result	Time	Code
C-94	Suzann CURY	1	2	Alexandra GAGNON	0 - 10	1:55	WIP
C-96	Suzann CURY	1	2	Alexandra GAGNON	0 - 10	1:03	WIP
C-98	Suzann CURY	1	2	Alexandra GAGNON			

Results

Pos	Name
1	Alexandra GAGNON, Tolide
2	Suzann CURY, Tolide

U21F -78 kg

Competitors

#	Name	Grade	Club	1	2	1	2	1	2	Wins	Pts	Pos
1	SHIANNE GRONEN	Blue	Lethbridge Kyodokan	XX	10	XX	10	XX		2	20	1
2	KEIRA TROTTER	1D	Lethbridge Kyodokan		XX		XX		XX	0	0	2

Matches

Match	White			Blue	Result	Time	Code
C-95	SHIANNE GRONEN	1	2	KEIRA TROTTER	10 - 0	2:25	WIP
C-97	SHIANNE GRONEN	1	2	KEIRA TROTTER	10 - 0	2:09	IPO
C-99	SHIANNE GRONEN	1	2	KEIRA TROTTER			

Results

Pos	Name
1	SHIANNE GRONEN, Lethbridge Kyodokan
2	KEIRA TROTTER, Lethbridge Kyodokan

U21M -55 kg

Competitors

#	Name	Grade	Club	1	2	1	2	1	2	Wins	Pts	Pos
1	Declan HARDING	Brown	Ryu Senshi	XX		XX		XX		0	0	2
2	Max BROWN	Blue	Hiro's	1	XX	10	XX		XX	2	11	1

Matches

Match	White			Blue	Result	Time	Code
A-110	Declan HARDING	1	2	Max BROWN	0 - 1	4:00	YUS
A-114	Declan HARDING	1	2	Max BROWN	0 - 10	3:40	IPO
A-118	Declan HARDING	1	2	Max BROWN			

Results

Pos	Name
1	Max BROWN, Hiro's
2	Declan HARDING, Ryu Senshi

U21M -66 kg

Competitors

#	Name	Grade	Club	1	2	3	4	Wins	Pts	Pos
1	Justin MCEACHERN	1D	Airdrie	XX	10	10	10	3	30	1
2	Jordan GIESBRECHT	Yellow	Hayabusa Training Centre		XX	10		1	10	3
3	Tanner THOMLINSON	Yellow	Tokugawa			XX		0	0	4
4	Vladislav DEGTIAREV	Blue	Hiro's		10	10	XX	2	20	2

Matches

Match	White			Blue	Result	Time	Code
A-111	Justin MCEACHERN	1	2	Jordan GIESBRECHT	10 - 0	2:50	WIP
A-112	Tanner THOMLINSON	3	4	Vladislav DEGTIAREV	0 - 10	1:18	WIP
A-115	Justin MCEACHERN	1	3	Tanner THOMLINSON	10 - 0	1:46	WIP
A-116	Jordan GIESBRECHT	2	4	Vladislav DEGTIAREV	0 - 10	1:52	WIP
A-119	Justin MCEACHERN	1	4	Vladislav DEGTIAREV	10 - 0	3:04	WIP
A-120	Jordan GIESBRECHT	2	3	Tanner THOMLINSON	10 - 0	2:16	IPO

Results

Pos	Name
1	Justin MCEACHERN, Airdrie
2	Vladislav DEGTIAREV, Hiro's
3	Jordan GIESBRECHT, Hayabusa Training Centre
4	Tanner THOMLINSON, Tokugawa

U21M -73 kg

Competitors

#	Name	Grade	Club	1	2	3	Wins	Pts	Pos
1	Roman FRANKIV	Green	Kodokwai	XX			0	0	3
2	MCKENZIE MORGAN	Brown	Lethbridge Kyodokan	10	XX		1	10	2
3	Isa DZHABRAILOV	Brown	Tolide	10	7	XX	2	17	1

Matches

Match	White			Blue	Result	Time	Code
A-113	Roman FRANKIV	1	2	MCKENZIE MORGAN	0 - 10	0:48	IPO
A-117	Roman FRANKIV	1	3	Isa DZHABRAILOV	0 - 10	0:34	IPO
A-121	MCKENZIE MORGAN	2	3	Isa DZHABRAILOV	0 - 7	4:00	WAZ

Results

Pos	Name
1	Isa DZHABRAILOV, Tolide
2	MCKENZIE MORGAN, Lethbridge Kyodokan
3	Roman FRANKIV, Kodokwai

VETM1 -73 kg

Competitors A

#	Name	Grade	Club	1	2	3	Wins	Pts	Pos
1	TIM TAKAHASHI	2D	Lethbridge Kyodokan	XX	10	10	2	20	1
2	Lloyd KRATKY	1D	St. Albert Tokai		XX	7	1	7	2
3	Mikal URITSKY	2D	Kodokwai			XX	0	0	3

Matches A

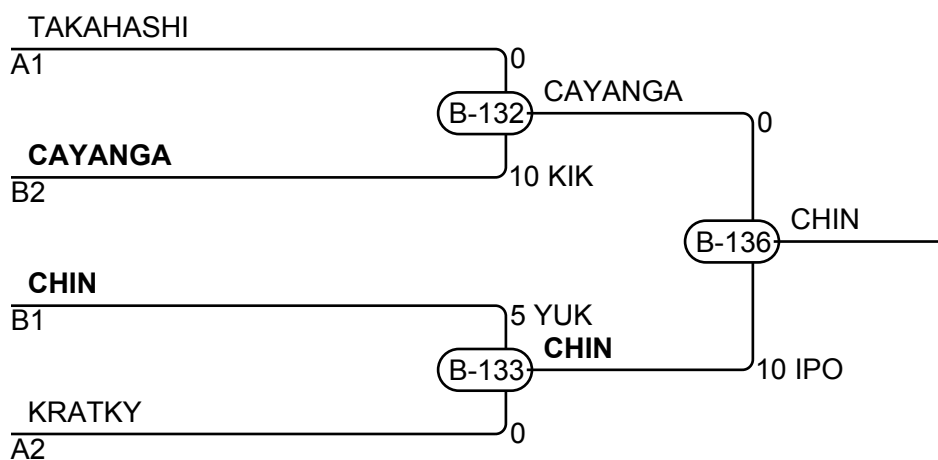
Match	White	Blue	Result	Time	Code
B-119	TIM TAKAHASHI	Lloyd KRATKY	10 - 0	1:23	IPO
B-123	TIM TAKAHASHI	Mikal URITSKY	10 - 0	1:15	IPO
B-125	Lloyd KRATKY	Mikal URITSKY	7 - 0	3:00	WAZ

Competitors B

#	Name	Grade	Club	4	5	6	Wins	Pts	Pos
4	Rashad CHIN	3D	Kodokwai	XX	10	1	2	11	1
5	Vincent CAYANGA	Brown	St. Albert Tokai		XX	10	1	10	2
6	Jason WOO	Brown	U of A			XX	0	0	3

Matches B

Match	White	Blue	Result	Time	Code
B-122	Rashad CHIN	Vincent CAYANGA	10 - 0	0:43	WIP
B-124	Rashad CHIN	Jason WOO	1 - 0	3:00	YUS
B-125	Vincent CAYANGA	Jason WOO	10 - 0	2:38	IPO



Results

Pos	Name
1	Rashad CHIN, Kodokwai
2	Vincent CAYANGA, St. Albert Tokai
3	TIM TAKAHASHI, Lethbridge Kyodokan
3	Lloyd KRATKY, St. Albert Tokai

VETM1 -90 kg

Competitors A

#	Name	Grade	Club	1	2	3	4	Wins	Pts	Pos
1	Rob KINGSTON	1D	U of A	XX			5	1	5	3
2	Jason JOHNSTON	1D	Kodokwai	10	XX		10	2	20	2
3	Shawn VEENENDAAL	Brown	Hayabusa Training Centre	10	10	XX	10	3	30	1
4	Joseph PARRELL	1D	Tokugawa				XX	0	0	4

Matches A

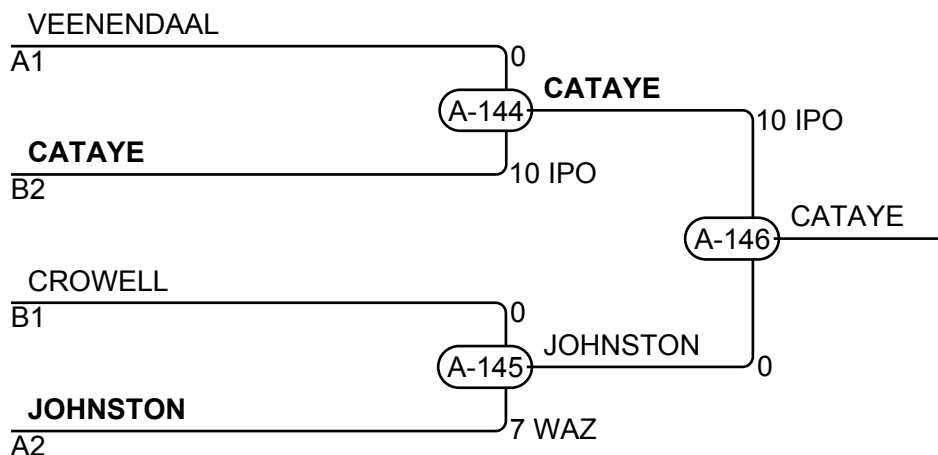
Match	White	Blue	Result	Time	Code
A-131	Rob KINGSTON	1 2 Jason JOHNSTON	0 - 10	0:46	IPO
A-132	Shawn VEENENDAAL	3 4 Joseph PARRELL	10 - 0	1:54	IPO
A-136	Rob KINGSTON	1 3 Shawn VEENENDAAL	0 - 10	0:49	IPO
A-137	Jason JOHNSTON	2 4 Joseph PARRELL	10 - 0	0:55	IPO
A-141	Rob KINGSTON	1 4 Joseph PARRELL	5 - 0	3:00	YUK
A-142	Jason JOHNSTON	2 3 Shawn VEENENDAAL	0 - 10	2:41	WIP

Competitors B

#	Name	Grade	Club	5	6	7	Wins	Pts	Pos
5	Laurent CATAYE	1D	Ishi Yama	XX		10	1	10	2
6	Kyle CROWELL	1D	St. Albert Tokai	10	XX	10	2	20	1
7	Eric MBURUGU	Blue	Red Deer			XX	0	0	3

Matches B

Match	White	Blue	Result	Time	Code
A-133	Laurent CATAYE	5 6 Kyle CROWELL	0 - 10	0:43	IPO
A-138	Laurent CATAYE	5 7 Eric MBURUGU	10 - 0	1:11	IPO
A-143	Kyle CROWELL	6 7 Eric MBURUGU	10 - 0	1:12	IPO



Results

Pos	Name
1	Laurent CATAYE, Ishi Yama
2	Jason JOHNSTON, Kodokwai
3	Shawn VEENENDAAL, Hayabusa Training Centre
3	Kyle CROWELL, St. Albert Tokai

VETM1 +90 kg

Competitors

#	Name	Grade	Club	1	2	3	4	5	Wins	Pts	Pos
1	Carlos GRISALES	1D	Grande Prairie	XX					0	0	5
2	COLIN KUNZLI	1D	Lethbridge Kyodokan	10	XX		10		2	20	3
3	Vasfi ALIYEV	2D	Kodokwai	10	1	XX	10	10	4	31	1
4	BEN GUENTHER	Brown	Red Deer	10			XX	10	2	20	4
5	ADAM SANTA	Blue	Red Deer	10	10			XX	2	20	2

Matches

Match	White			Blue	Result	Time	Code
A-125	BEN GUENTHER	4	5	ADAM SANTA	10 - 0	0:37	WIP
A-126	Carlos GRISALES	1	2	COLIN KUNZLI	0 - 10	0:00	IPO
A-127	Vasfi ALIYEV	3	4	BEN GUENTHER	10 - 0	1:48	IPO
A-128	Carlos GRISALES	1	5	ADAM SANTA	0 - 10	0:00	IPO
A-129	COLIN KUNZLI	2	3	Vasfi ALIYEV	0 - 1	3:00	YUS
A-130	Carlos GRISALES	1	4	BEN GUENTHER	0 - 10	0:00	KIK
A-134	Vasfi ALIYEV	3	5	ADAM SANTA	10 - 0	0:46	IPO
A-135	COLIN KUNZLI	2	4	BEN GUENTHER	10 - 0	0:57	IPO
A-139	Carlos GRISALES	1	3	Vasfi ALIYEV	0 - 10	0:00	KIK
A-140	COLIN KUNZLI	2	5	ADAM SANTA	0 - 10	2:06	IPO

Results

Pos	Name
1	Vasfi ALIYEV, Kodokwai
2	ADAM SANTA, Red Deer
3	COLIN KUNZLI, Lethbridge Kyodokan
4	BEN GUENTHER, Red Deer
5	Carlos GRISALES, Grande Prairie

SW -52 kg

Competitors

#	Name	Grade	Club	1	2	3	4	Wins	Pts	Pos
1	KIERA WESTLAKE	Brown	Lethbridge Kyodokan	XX		10		1	10	3
2	VIRGINIA NEMETH	1D	Lethbridge Kyodokan	10	XX	10		2	20	2
3	Despina CHRISTOU	Blue	Hiro's			XX		0	0	4
4	Taeya KOLIASKA	1D	Lethbridge Kyodokan	10	5	10	XX	3	25	1

Matches

Match	White		Blue	Result	Time	Code	
C-108	KIERA WESTLAKE	1	2	VIRGINIA NEMETH	0 - 10	1:41	IPO
C-109	Despina CHRISTOU	3	4	Taeya KOLIASKA	0 - 10	0:01	FUS
C-118	KIERA WESTLAKE	1	3	Despina CHRISTOU	10 - 0	0:01	FUS
C-119	VIRGINIA NEMETH	2	4	Taeya KOLIASKA	0 - 5	5:24	GSY
C-128	KIERA WESTLAKE	1	4	Taeya KOLIASKA	0 - 10	1:48	IPO
C-129	VIRGINIA NEMETH	2	3	Despina CHRISTOU	10 - 0	0:01	FUS

Results

Pos	Name
1	Taeya KOLIASKA, Lethbridge Kyodokan
2	VIRGINIA NEMETH, Lethbridge Kyodokan
3	KIERA WESTLAKE, Lethbridge Kyodokan
4	Despina CHRISTOU, Hiro's

SW -57 kg

Competitors

#	Name	Grade	Club	1	2	3	Wins	Pts	Pos
1	JACQUELINE DEMAERE	Blue	Lethbridge Kyodokan	XX	10		1	10	2
2	DAWN LINDWALL	Green	Lethbridge Kyodokan		XX		0	0	3
3	ALICIA BRIGGS	2D	Lethbridge Kyodokan	10	10	XX	2	20	1

Matches

Match	White			Blue	Result	Time	Code
B-105	JACQUELINE DEMAERE	1	2	DAWN LINDWALL	10 - 0	1:05	IPO
B-110	JACQUELINE DEMAERE	1	3	ALICIA BRIGGS	0 - 10	2:10	WIP
B-115	DAWN LINDWALL	2	3	ALICIA BRIGGS	0 - 10	0:13	IPO

Results

Pos	Name
1	ALICIA BRIGGS, Lethbridge Kyodokan
2	JACQUELINE DEMAERE, Lethbridge Kyodokan
3	DAWN LINDWALL, Lethbridge Kyodokan

SW -63 kg

Competitors

#	Name	Grade	Club	1	2	3	Wins	Pts	Pos
1	Alexandra GAGNON	1D	Tolide	XX	10	10	2	20	1
2	Caitlin CURY	Brown	Tolide		XX	10	1	10	2
3	Brittney SOUTH	Orange	Hayabusa Training Centre			XX	0	0	3

Matches

Match	White			Blue	Result	Time	Code
B-114	Alexandra GAGNON	1	2	Caitlin CURY	10 - 0	1:24	IPO
B-109	Alexandra GAGNON	1	3	Brittney SOUTH	10 - 0	1:33	IPO
B-119	Caitlin CURY	2	3	Brittney SOUTH	10 - 0	0:33	IPO

Results

Pos	Name
1	Alexandra GAGNON, Tolide
2	Caitlin CURY, Tolide
3	Brittney SOUTH, Hayabusa Training Centre

SW -78 kg

Competitors

#	Name	Grade	Club	1	Wins	Pts	Pos
1	SHIANNE GRONEN	Blue	Lethbridge Kyodokan	X	0	0	1

Matches

Match	White	Blue	Result	Time	Code
-------	-------	------	--------	------	------

Results

Pos	Name
1	SHIANNE GRONEN, Lethbridge Kyodokan

SW +78 kg

Competitors

#	Name	Grade	Club	1	2	1	2	1	2	Wins	Pts	Pos
1	Sarah PERKS	Brown	Lethbridge Kyodokan	XX	7	XX	7	XX		2	14	1
2	ANNABELLE DARLOW	Blue	Lethbridge Kyodokan		XX		XX		XX	0	0	2

Matches

Match	White			Blue	Result	Time	Code
B-107	Sarah PERKS	1	2	ANNABELLE DARLOW	7 - 0	4:00	WAZ
B-112	Sarah PERKS	1	2	ANNABELLE DARLOW	7 - 0	4:00	WAZ
B-117	Sarah PERKS	1	2	ANNABELLE DARLOW			

Results

Pos	Name
1	Sarah PERKS, Lethbridge Kyodokan
2	ANNABELLE DARLOW, Lethbridge Kyodokan

SMBB -60 kg

Competitors

#	Name	Grade	Club	1	2	1	2	1	2	Wins	Pts	Pos
1	Nicholas GAGNON	Brown	Tolide	XX		XX		XX		0	0	2
2	Rashad CHIN	3D	Kodokwai	10	XX	10	XX		XX	2	20	1

Matches

Match	White			Blue	Result	Time	Code
B-106	Nicholas GAGNON	1	2	Rashad CHIN	0 - 10	0:33	IPO
B-111	Nicholas GAGNON	1	2	Rashad CHIN	0 - 10	1:10	WIP
B-116	Nicholas GAGNON	1	2	Rashad CHIN			

Results

Pos	Name
1	Rashad CHIN, Kodokwai
2	Nicholas GAGNON, Tolide

SMBB -66 kg

Competitors

#	Name	Grade	Club	1	2	3	4	5	Wins	Pts	Pos
1	Amin MOAZENI	1D	U of A	XX					0	0	5
2	Lloyd KRATKY	1D	St. Albert Tokai	10	XX		10		2	20	3
3	David WU	Brown	Tokugawa	10	10	XX	10		3	30	2
4	Brandon LIEU	1D	Kodokwai	10			XX		1	10	4
5	Stefane TRUONG	2D	Kodokwai	10	10	10	10	XX	4	40	1

Matches

Match	White	Blue	Result	Time	Code
B-119A	Brandon LIEU 4 5	Stefane TRUONG	0 - 10	1:44	IPO
B-122A	Amin MOAZENI 1 2	Lloyd KRATKY	0 - 10	4:23	HAN
B-123A	David WU 3 4	Brandon LIEU	10 - 0	1:32	IPO
B-124A	Amin MOAZENI 1 5	Stefane TRUONG	0 - 10	1:02	WIP
B-125A	Lloyd KRATKY 2 3	David WU	0 - 10	1:46	IPO
B-128D	Amin MOAZENI 1 4	Brandon LIEU	0 - 10	3:12	HAN
B-132A	David WU 3 5	Stefane TRUONG	0 - 10	1:22	IPO
B-137	Lloyd KRATKY 2 4	Brandon LIEU	10 - 0	0:33	IPO
B-132B	Amin MOAZENI 1 3	David WU	0 - 10	0:40	IPO
B-133A	Lloyd KRATKY 2 5	Stefane TRUONG	0 - 10	0:37	WIP

Results

Pos	Name
1	Stefane TRUONG, Kodokwai
2	David WU, Tokugawa
3	Lloyd KRATKY, St. Albert Tokai
4	Brandon LIEU, Kodokwai
5	Amin MOAZENI, U of A

SMYB -66 kg

Competitors

#	Name	Grade	Club	1	2	3	Wins	Pts	Pos
1	Vladislav DEGTIAREV	Blue	Hiro's	XX	10		1	10	2
2	Garrett BROWN	Blue	U of A		XX		0	0	3
3	Davis JOHNSTON	Blue	Kodokwai	10	10	XX	2	20	1

Matches

Match	White			Blue	Result	Time	Code
C-107	Vladislav DEGTIAREV	1	2	Garrett BROWN	10 - 0	2:33	IPO
C-117	Vladislav DEGTIAREV	1	3	Davis JOHNSTON	0 - 10	1:27	WIP
C-127	Garrett BROWN	2	3	Davis JOHNSTON	0 - 10	1:14	IPO

Results

Pos	Name
1	Davis JOHNSTON, Kodokwai
2	Vladislav DEGTIAREV, Hiro's
3	Garrett BROWN, U of A

SMBB -73 kg

Competitors

#	Name	Grade	Club	1	2	3	4	5	Wins	Pts	Pos
1	CHRISTIAN HILL	Brown	Lethbridge Kyodokan	XX					0	0	5
2	Isa DZHABRAILOV	Brown	Tolide	10	XX	10			2	20	3
3	Jason WOO	Brown	U of A	10		XX			1	10	4
4	Ty NAKANO	1D	Hiro's	10	10	10	XX	7	4	37	1
5	Adam THOMSON	Brown	Hiro's	10	10	10		XX	3	30	2

Matches

Match	White			Blue	Result	Time	Code
C-100	Ty NAKANO	4	5	Adam THOMSON	7 - 0	5:00	WAZ
C-101	CHRISTIAN HILL	1	2	Isa DZHABRAILOV	0 - 10	0:00	KIK
C-102	Jason WOO	3	4	Ty NAKANO	0 - 10	1:31	IPO
C-103	CHRISTIAN HILL	1	5	Adam THOMSON	0 - 10	0:00	KIK
C-110	Isa DZHABRAILOV	2	3	Jason WOO	10 - 0	2:25	IPO
C-111	CHRISTIAN HILL	1	4	Ty NAKANO	0 - 10	0:00	KIK
C-120	Jason WOO	3	5	Adam THOMSON	0 - 10	2:29	WIP
C-121	Isa DZHABRAILOV	2	4	Ty NAKANO	0 - 10	1:52	IPO
C-130	CHRISTIAN HILL	1	3	Jason WOO	0 - 10	0:00	KIK
C-131	Isa DZHABRAILOV	2	5	Adam THOMSON	0 - 10	3:38	WIP

Results

Pos	Name
1	Ty NAKANO, Hiro's
2	Adam THOMSON, Hiro's
3	Isa DZHABRAILOV, Tolide
4	Jason WOO, U of A
5	CHRISTIAN HILL, Lethbridge Kyodokan

SMYB -73 kg

Competitors

#	Name	Grade	Club	1	2	1	2	1	2	Wins	Pts	Pos
1	Jordan ELIAS	Orange	Hayabusa Training Centre	XX	10	XX		XX	5	2	15	1
2	Josh FULCHER	Blue	Kodokwai		XX	10	XX		XX	1	10	2

Matches

Match	White		Blue	Result	Time	Code	
B-108	Jordan ELIAS	1	2	Josh FULCHER	10 - 0	0:19	IPO
B-113	Jordan ELIAS	1	2	Josh FULCHER	0 - 10	2:21	IPO
B-118	Jordan ELIAS	1	2	Josh FULCHER	5 - 0	5:00	YUK

Results

Pos	Name
1	Jordan ELIAS, Hayabusa Training Centre
2	Josh FULCHER, Kodokwai

SMBB -81 kg

Competitors A

#	Name	Grade	Club	1	2	3	4	Wins	Pts	Pos
1	Kyle CROWELL	1D	St. Albert Tokai	XX	10	10		2	20	2
2	Joseph PARRELL	1D	Tokugawa		XX	10		1	10	3
3	Jonghyun PARK	1D	Kodokwai			XX		0	0	4
4	CHRIS BAILEY	2D	Lethbridge Kyodokan	10	10	10	XX	3	30	1

Matches A

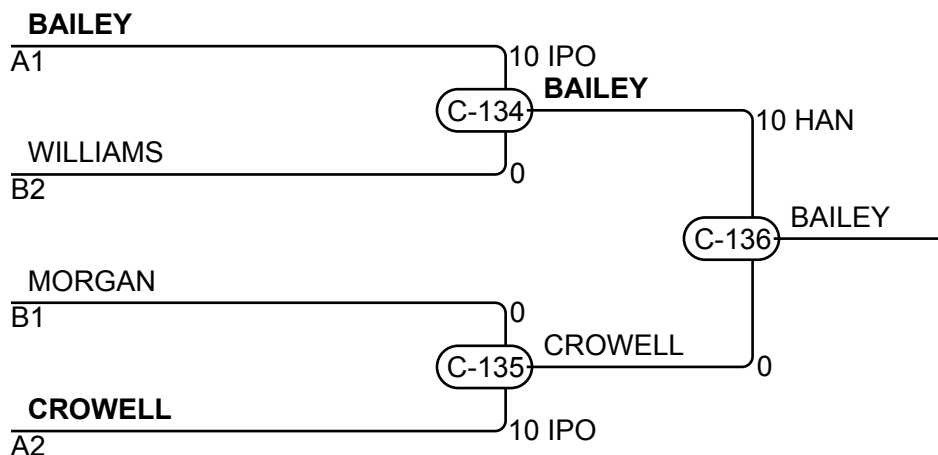
Match	White	Blue	Result	Time	Code
C-104	Kyle CROWELL	1 2 Joseph PARRELL	10 - 0	0:14	IPO
C-105	Jonghyun PARK	3 4 CHRIS BAILEY	0 - 10	0:36	IPO
C-114	Kyle CROWELL	1 3 Jonghyun PARK	10 - 0	0:32	IPO
C-115	Joseph PARRELL	2 4 CHRIS BAILEY	0 - 10	0:27	WIP
C-124	Kyle CROWELL	1 4 CHRIS BAILEY	0 - 10	2:57	IPO
C-125	Joseph PARRELL	2 3 Jonghyun PARK	10 - 0	2:53	IPO

Competitors B

#	Name	Grade	Club	5	6	7	Wins	Pts	Pos
5	MCKENZIE MORGAN	Brown	Lethbridge Kyodokan	XX	10	10	2	20	1
6	Stevie WILLIAMS	Brown	Hiro's		XX	10	1	10	2
7	Chris DUBE	Brown	St. Albert Tokai			XX	0	0	3

Matches B

Match	White	Blue	Result	Time	Code
C-106	MCKENZIE MORGAN	5 6 Stevie WILLIAMS	10 - 0	4:06	WIP
C-116	MCKENZIE MORGAN	5 7 Chris DUBE	10 - 0	1:11	IPO
C-126	Stevie WILLIAMS	6 7 Chris DUBE	10 - 0	3:36	IPO



Results

Pos	Name
1	CHRIS BAILEY, Lethbridge Kyodokan
2	Kyle CROWELL, St. Albert Tokai
3	Stevie WILLIAMS, Hiro's
3	MCKENZIE MORGAN, Lethbridge Kyodokan

SMBB -90 kg

Competitors

#	Name	Grade	Club	1	Wins	Pts	Pos
				X	0	0	1

Matches

Match	White	Blue	Result	Time	Code
-------	-------	------	--------	------	------

Results

Pos	Name
1	

SMYB -90 kg

Competitors

#	Name	Grade	Club	1	2	3	Wins	Pts	Pos
1	Michael MURPHY	Blue	U of A	XX			0	0	3
2	Eric MBURUGU	Blue	Red Deer	10	XX	10	2	20	1
3	Tyler HARDER	Yellow	Tokugawa	10		XX	1	10	2

Matches

Match	White			Blue	Result	Time	Code
A-122	Michael MURPHY	1	2	Eric MBURUGU	0 - 10	1:08	WIP
A-123	Michael MURPHY	1	3	Tyler HARDER	0 - 10	0:48	IPO
A-124	Eric MBURUGU	2	3	Tyler HARDER	10 - 0	4:38	WIP

Results

Pos	Name
1	Eric MBURUGU, Red Deer
2	Tyler HARDER, Tokugawa
3	Michael MURPHY, U of A

SMBB -100 kg

Competitors

#	Name	Grade	Club	1	2	3	Wins	Pts	Pos
1	Rob KINGSTON	1D	U of A	XX			0	0	3
2	Luke HARRIS	1D	Hayabusa Training Centre	10	XX	10	2	20	1
3	Carlos GRISALES	1D	Grande Prairie	5		XX	1	5	2

Matches

Match	White			Blue	Result	Time	Code
C-112	Rob KINGSTON	1	2	Luke HARRIS	0 - 10	0:21	IPO
C-122	Rob KINGSTON	1	3	Carlos GRISALES	0 - 5	5:00	YUK
C-132	Luke HARRIS	2	3	Carlos GRISALES	10 - 0	0:00	KIK

Results

Pos	Name
1	Luke HARRIS, Hayabusa Training Centre
2	Carlos GRISALES, Grande Prairie
3	Rob KINGSTON, U of A

SMBB +100 kg

Competitors

#	Name	Grade	Club	1	2	1	2	1	2	Wins	Pts	Pos
1	Adham ELMAYERGI	Brown	St. Albert Tokai	XX	10	XX	10	XX		2	20	1
2	COLIN KUNZLI	1D	Lethbridge Kyodokan		XX		XX		XX	0	0	2

Matches

Match	White			Blue	Result	Time	Code
C-113	Adham ELMAYERGI	1	2	COLIN KUNZLI	10 - 0	1:02	IPO
C-123	Adham ELMAYERGI	1	2	COLIN KUNZLI	10 - 0	2:23	WIP
C-133	Adham ELMAYERGI	1	2	COLIN KUNZLI			

Results

Pos	Name
1	Adham ELMAYERGI, St. Albert Tokai
2	COLIN KUNZLI, Lethbridge Kyodokan

SMYB +100 kg

Competitors

#	Name	Grade	Club	1	Wins	Pts	Pos
1	ADAM SANTA	Blue	Red Deer	X	0	0	1

Matches

Match	White	Blue	Result	Time	Code
-------	-------	------	--------	------	------

Results

Pos	Name
1	ADAM SANTA, Red Deer