

U10 Group 1

Competitors/Compétiteurs

#	Name/Nom	Grade	Club	1	2	3	4	W/G	Pts	Pos
1	LAYLA ROSS (25,30)	Orange	Lethbridge Kyodokan	XX	10	10	10	3	30	1
2	CONNOR HAZELL (23,50)	Y/O	Lethbridge Kyodokan		XX	10	10	2	20	2
3	Chambers ZAYDEN (25,50)	Yellow	Lloydminster			XX	10	1	10	3
4	Justin WEBBER (23,30)	Y/O	Hiro's				XX	0	0	4

Matches/Matches

Match	White/Blanc			Blue/Bleu	Res/Rés	Tim/Tmp	Code
C-1	LAYLA ROSS	1	2	CONNOR HAZELL	10 - 0	2:00	IPO
C-2	Chambers ZAYDEN	3	4	Justin WEBBER	10 - 0	2:00	IPO
C-7	LAYLA ROSS	1	3	Chambers ZAYDEN	10 - 0	2:00	IPO
C-8	CONNOR HAZELL	2	4	Justin WEBBER	10 - 0	2:00	IPO
C-13	LAYLA ROSS	1	4	Justin WEBBER	10 - 0	2:00	IPO
C-14	CONNOR HAZELL	2	3	Chambers ZAYDEN	10 - 0	2:00	IPO

Results/Résultats

Pos	Name/Nom
1	LAYLA ROSS, Lethbridge Kyodokan
2	CONNOR HAZELL, Lethbridge Kyodokan
3	Chambers ZAYDEN, Lloydminster
4	Justin WEBBER, Hiro's

U10 Group 2

Competitors/Compétiteurs

#	Name/Nom	Grade	Club	1	2	3	4	W/G	Pts	Pos
1	Faith ARAGON-GODIN (26,80)	Yellow	Hayabusa Training Centre	XX				0	0	4
2	Joshua PIVOVAR (26,70)	Yellow	Tokugawa	10	XX			1	10	3
3	ZEINEDINE ALI (25,80)	O/G	St. Albert Tokai	10	10	XX	10	3	30	1
4	Stone DOMIN (25,90)	Yellow	Yaruki	10	10		XX	2	20	2

Matches/Matches

Match	White/Blanc			Blue/Bleu	Res/Rés	Tim/Tmp	Code
C-3	Faith ARAGON-GODIN	1	2	Joshua PIVOVAR	0 - 10	0:00	IPO
C-4	ZEINEDINE ALI	3	4	Stone DOMIN	10 - 0	2:00	IPO
C-9	Faith ARAGON-GODIN	1	3	ZEINEDINE ALI	0 - 10	0:00	IPO
C-10	Joshua PIVOVAR	2	4	Stone DOMIN	0 - 10	2:00	IPO
C-15	Faith ARAGON-GODIN	1	4	Stone DOMIN	0 - 10	0:00	IPO
C-16	Joshua PIVOVAR	2	3	ZEINEDINE ALI	0 - 10	2:00	IPO

Results/Résultats

Pos	Name/Nom
1	ZEINEDINE ALI, St. Albert Tokai
2	Stone DOMIN, Yaruki
3	Joshua PIVOVAR, Tokugawa
4	Faith ARAGON-GODIN, Hayabusa Training Centre

U10 Group 3

Competitors/Compétiteurs

#	Name/Nom	Grade	Club	1	2	3	4	W/G	Pts	Pos
1	Rhys MCCHESENEY (27,00)	Y/O	Tolide	XX	10	10	10	3	30	1
2	Ian LANGWALD (27,10)	Yellow	Tolide		XX	10	10	2	20	2
3	Chambers ZANDER (28,00)	Yellow	Lloydminster			XX	10	1	10	3
4	Jack KOZICKI (28,00)	Yellow	Kodokwai				XX	0	0	4

Matches/Matches

Match	White/Blanc			Blue/Bleu	Res/Rés	Tim/Tmp	Code
C-5	Rhys MCCHESENEY	1	2	Ian LANGWALD	10 - 0	2:00	IPO
C-6	Chambers ZANDER	3	4	Jack KOZICKI	10 - 0	2:00	IPO
C-11	Rhys MCCHESENEY	1	3	Chambers ZANDER	10 - 0	2:00	IPO
C-12	Ian LANGWALD	2	4	Jack KOZICKI	10 - 0	2:00	IPO
C-17	Rhys MCCHESENEY	1	4	Jack KOZICKI	10 - 0	2:00	IPO
C-18	Ian LANGWALD	2	3	Chambers ZANDER	10 - 0	2:00	IPO

Results/Résultats

Pos	Name/Nom
1	Rhys MCCHESENEY, Tolide
2	Ian LANGWALD, Tolide
3	Chambers ZANDER, Lloydminster
4	Jack KOZICKI, Kodokwai

U10 Group 4

Competitors/Compétiteurs

#	Name/Nom	Grade	Club	1	2	3	4	W/G	Pts	Pos
1	Jaxon MCNEIL (29,30)	Yellow	Hayabusa Training Centre	XX	10	10	10	3	30	1
2	Tomisha SHISHANI (30,00)	Yellow	Hayabusa Training Centre		XX	10	10	2	20	2
3	ADDYSON TAMURA (28,40)	Orange	Lethbridge Kyodokan			XX	10	1	10	3
4	PHOENIX SANTA (29,00)	Yellow	Red Deer				XX	0	0	4

Matches/Matches

Match	White/Blanc			Blue/Bleu	Res/Rés	Tim/Tmp	Code
D-1	Jaxon MCNEIL	1	2	Tomisha SHISHANI	10 - 0	2:00	IPO
D-2	ADDYSON TAMURA	3	4	PHOENIX SANTA	10 - 0	0:00	IPO
D-5	Jaxon MCNEIL	1	3	ADDYSON TAMURA	10 - 0	2:00	IPO
D-6	Tomisha SHISHANI	2	4	PHOENIX SANTA	10 - 0	2:00	IPO
D-9	Jaxon MCNEIL	1	4	PHOENIX SANTA	10 - 0	2:00	IPO
D-10	Tomisha SHISHANI	2	3	ADDYSON TAMURA	10 - 0	2:00	IPO

Results/Résultats

Pos	Name/Nom
1	Jaxon MCNEIL, Hayabusa Training Centre
2	Tomisha SHISHANI, Hayabusa Training Centre
3	ADDYSON TAMURA, Lethbridge Kyodokan
4	PHOENIX SANTA, Red Deer

U10 Group 5

Competitors/Compétiteurs

#	Name/Nom	Grade	Club	1	2	3	4	W/G	Pts	Pos
1	NATHAN HUSKA (33,40)	Yellow	Red Deer	XX	10	10	10	3	30	1
2	Hayden MCKAIG SHEWCHUK (32,00)	Yellow	Tolide		XX	10	10	2	20	2
3	Cruz LINDSKOG (31,00)	Yellow	Lloydminster			XX	10	1	10	3
4	CONNOR GALLANT (33,00)	Orange	Lethbridge Kyodokan				XX	0	0	4

Matches/Matches

Match	White/Blanc			Blue/Bleu	Res/Rés	Tim/Tmp	Code
D-3	NATHAN HUSKA	1	2	Hayden MCKAIG SHEWCHUK	10 - 0	2:00	IPO
D-4	Cruz LINDSKOG	3	4	CONNOR GALLANT	10 - 0	2:00	IPO
D-7	NATHAN HUSKA	1	3	Cruz LINDSKOG	10 - 0	2:00	IPO
D-8	Hayden MCKAIG SHEWCHUK	2	4	CONNOR GALLANT	10 - 0	2:00	IPO
D-11	NATHAN HUSKA	1	4	CONNOR GALLANT	10 - 0	2:00	IPO
D-12	Hayden MCKAIG SHEWCHUK	2	3	Cruz LINDSKOG	10 - 0	0:01	IPO

Results/Résultats

Pos	Name/Nom
1	NATHAN HUSKA, Red Deer
2	Hayden MCKAIG SHEWCHUK, Tolide
3	Cruz LINDSKOG, Lloydminster
4	CONNOR GALLANT, Lethbridge Kyodokan

U12 Group 1

Competitors/Compétiteurs

#	Name/Nom	Grade	Club	1	2	3	4	W/G	Pts	Pos
1	Daniel MOGDAN (27,00)	Y/O	Hiro's	XX	10	10	10	3	30	1
2	Rokiya ANAN (23,20)	Y/O	Hiro's		XX	10	10	2	20	2
3	Elizabeth COSSITT (26,00)	Yellow	Kodokwai			XX	10	1	10	3
4	Mahmoud ELFISHAWI (28,00)	Yellow	Kodokwai				XX	0	0	4

Matches/Matches

Match	White/Blanc			Blue/Bleu	Res/Rés	Tim/Tmp	Code
D-19	Daniel MOGDAN	1	2	Rokiya ANAN	10 - 0	2:00	IPO
D-20	Elizabeth COSSITT	3	4	Mahmoud ELFISHAWI	10 - 0	2:00	IPO
D-28	Daniel MOGDAN	1	3	Elizabeth COSSITT	10 - 0	2:00	IPO
D-29	Rokiya ANAN	2	4	Mahmoud ELFISHAWI	10 - 0	2:00	IPO
D-37	Daniel MOGDAN	1	4	Mahmoud ELFISHAWI	10 - 0	2:00	IPO
D-38	Rokiya ANAN	2	3	Elizabeth COSSITT	10 - 0	2:00	IPO

Results/Résultats

Pos	Name/Nom
1	Daniel MOGDAN, Hiro's
2	Rokiya ANAN, Hiro's
3	Elizabeth COSSITT, Kodokwai
4	Mahmoud ELFISHAWI, Kodokwai

U12 Group 2

Competitors/Compétiteurs

#	Name/Nom	Grade	Club	1	2	3	4	W/G	Pts	Pos
1	ETHAN MACMILLAN (28,80)	Yellow	Red Deer	XX	10	10	10	3	30	1
2	EDSON MBURUGU (29,20)	Y/O	Red Deer		XX	10	10	2	20	2
3	Zubail DZHABROILOV (30,00)	Yellow	Tolide			XX	10	1	10	3
4	Aida SHIMA (29,50)	Y/O	Hayabusa Training Centre				XX	0	0	4

Matches/Matches

Match	White/Blanc			Blue/Bleu	Res/Rés	Tim/Tmp	Code
D-22	ETHAN MACMILLAN	1	2	EDSON MBURUGU	10 - 0	2:00	IPO
D-23	Zubail DZHABROILOV	3	4	Aida SHIMA	10 - 0	2:00	IPO
D-31	ETHAN MACMILLAN	1	3	Zubail DZHABROILOV	10 - 0	2:00	IPO
D-32	EDSON MBURUGU	2	4	Aida SHIMA	10 - 0	2:00	IPO
D-40	ETHAN MACMILLAN	1	4	Aida SHIMA	10 - 0	2:00	IPO
D-41	EDSON MBURUGU	2	3	Zubail DZHABROILOV	10 - 0	2:00	IPO

Results/Résultats

Pos	Name/Nom
1	ETHAN MACMILLAN, Red Deer
2	EDSON MBURUGU, Red Deer
3	Zubail DZHABROILOV, Tolide
4	Aida SHIMA, Hayabusa Training Centre

U12 Group 3

Competitors/Compétiteurs

#	Name/Nom	Grade	Club	1	2	3	4	W/G	Pts	Pos
1	KIARA JENKINS (30,60)	Orange	St. Albert Tokai	XX	10	10	10	3	30	1
2	MALEK ALI (31,20)	O/G	St. Albert Tokai		XX	10	10	2	20	2
3	TEGAN WESTLAKE (31,00)	Orange	Lethbridge Kyodokan			XX	10	1	10	3
4	XAVIER ALLEN (30,40)	O/G	St. Albert Tokai				XX	0	0	4

Matches/Matches

Match	White/Blanc			Blue/Bleu	Res/Rés	Tim/Tmp	Code
D-17	KIARA JENKINS	1	2	MALEK ALI	10 - 0	2:00	IPO
D-18	TEGAN WESTLAKE	3	4	XAVIER ALLEN	10 - 0	0:00	IPO
D-26	KIARA JENKINS	1	3	TEGAN WESTLAKE	10 - 0	2:00	IPO
D-27	MALEK ALI	2	4	XAVIER ALLEN	10 - 0	0:00	IPO
D-35	KIARA JENKINS	1	4	XAVIER ALLEN	10 - 0	0:00	IPO
D-36	MALEK ALI	2	3	TEGAN WESTLAKE	10 - 0	2:00	IPO

Results/Résultats

Pos	Name/Nom
1	KIARA JENKINS, St. Albert Tokai
2	MALEK ALI, St. Albert Tokai
3	TEGAN WESTLAKE, Lethbridge Kyodokan
4	XAVIER ALLEN, St. Albert Tokai

U12 Group 4

Competitors/Compétiteurs

#	Name/Nom	Grade	Club	1	2	3	4	W/G	Pts	Pos
1	Rylan BARTSCH (31,80)	Y/O	Hoku Sei Kan	XX		10	10	2	20	2
2	AYLISH LAZENBY (32,00)	Green	Lethbridge Kyodokan	10	XX	10	10	3	30	1
3	Amir MOHOMMAD (32,00)	Yellow	Kodokwai			XX	10	1	10	3
4	JORDANE ALLEN (32,40)	O/G	St. Albert Tokai				XX	0	0	4

Matches/Matches

Match	White/Blanc			Blue/Bleu	Res/Rés	Tim/Tmp	Code
C-23	Rylan BARTSCH	1	2	AYLISH LAZENBY	0 - 10	2:00	IPO
C-24	Amir MOHOMMAD	3	4	JORDANE ALLEN	10 - 0	0:00	IPO
C-30	Rylan BARTSCH	1	3	Amir MOHOMMAD	10 - 0	2:00	IPO
C-31	AYLISH LAZENBY	2	4	JORDANE ALLEN	10 - 0	0:00	IPO
C-37	Rylan BARTSCH	1	4	JORDANE ALLEN	10 - 0	0:00	IPO
C-38	AYLISH LAZENBY	2	3	Amir MOHOMMAD	10 - 0	2:00	IPO

Results/Résultats

Pos	Name/Nom
1	AYLISH LAZENBY, Lethbridge Kyodokan
2	Rylan BARTSCH, Hoku Sei Kan
3	Amir MOHOMMAD, Kodokwai
4	JORDANE ALLEN, St. Albert Tokai

U12 Group 5

Competitors/Compétiteurs

#	Name/Nom	Grade	Club	1	2	3	4	W/G	Pts	Pos
1	RORY ROSS (32,60)	Orange	Lethbridge Kyodokan	XX	10	10	10	3	30	1
2	SAWYER ALTHOUSE (33,60)	Orange	Lethbridge Kyodokan		XX	10	10	2	20	2
3	STEFAN TESANOVIC (34,00)	Orange	Ishi Yama			XX	10	1	10	3
4	Archie PEARSE (33,60)	Yellow	Yaruki				XX	0	0	4

Matches/Matches

Match	White/Blanc			Blue/Bleu	Res/Rés	Tim/Tmp	Code
C-25	RORY ROSS	1	2	SAWYER ALTHOUSE	10 - 0	2:00	IPO
C-26	STEFAN TESANOVIC	3	4	Archie PEARSE	10 - 0	2:00	IPO
C-32	RORY ROSS	1	3	STEFAN TESANOVIC	10 - 0	2:00	IPO
C-33	SAWYER ALTHOUSE	2	4	Archie PEARSE	10 - 0	2:00	IPO
C-39	RORY ROSS	1	4	Archie PEARSE	10 - 0	2:00	IPO
C-40	SAWYER ALTHOUSE	2	3	STEFAN TESANOVIC	10 - 0	2:00	IPO

Results/Résultats

Pos	Name/Nom
1	RORY ROSS, Lethbridge Kyodokan
2	SAWYER ALTHOUSE, Lethbridge Kyodokan
3	STEFAN TESANOVIC, Ishi Yama
4	Archie PEARSE, Yaruki

U12 Group 6

Competitors/Compétiteurs

#	Name/Nom	Grade	Club	1	2	3	W/G	Pts	Pos
1	KEATON HUSKY (38,00)	Orange	St. Albert Tokai	XX	10	10	2	20	1
2	SAMUEL CLEMENT (38,00)	Orange	Ishi Yama		XX	10	1	10	2
3	Nikita TSYRUK (36,00)	Yellow	Grand Prairie			XX	0	0	3

Matches/Matches

Match	White/Blanc			Blue/Bleu	Res/Rés	Tim/Tmp	Code
D-21	KEATON HUSKY	1	2	SAMUEL CLEMENT	10 - 0	2:00	IPO
D-30	KEATON HUSKY	1	3	Nikita TSYRUK	10 - 0	2:00	IPO
D-39	SAMUEL CLEMENT	2	3	Nikita TSYRUK	10 - 0	2:00	IPO

Results/Résultats

Pos	Name/Nom
1	KEATON HUSKY, St. Albert Tokai
2	SAMUEL CLEMENT, Ishi Yama
3	Nikita TSYRUK, Grand Prairie

U12 Group 7

Competitors/Compétiteurs

#	Name/Nom	Grade	Club	1	2	3	W/G	Pts	Pos
1	Seth TRINIER (39,50)	O/G	Tokugawa	XX			0	0	3
2	Kennedy THORNTON (39,00)	Orange	Tokugawa	10	XX		1	10	2
3	NATHAN BREHAUT (38,80)	Orange	Red Deer	10	10	XX	2	20	1

Matches/Matches

Match	White/Blanc			Blue/Bleu	Res/Rés	Tim/Tmp	Code
C-27	Seth TRINIER	1	2	Kennedy THORNTON	0 - 10	2:00	IPO
C-34	Seth TRINIER	1	3	NATHAN BREHAUT	0 - 10	2:00	IPO
C-41	Kennedy THORNTON	2	3	NATHAN BREHAUT	0 - 10	2:00	IPO

Results/Résultats

Pos	Name/Nom
1	NATHAN BREHAUT, Red Deer
2	Kennedy THORNTON, Tokugawa
3	Seth TRINIER, Tokugawa

U12 Group 8

Competitors/Compétiteurs

#	Name/Nom	Grade	Club	1	2	3	4	5	W/G	Pts	Pos
1	TESS FLANAGAN (41,00)	Orange	Red Deer	XX	10	10	10	10	4	40	1
2	KAREEM ELMAYERGI (42,60)	O/G	St. Albert Tokai		XX	10	10	10	3	30	2
3	Pahtayken IAN (40,10)	Yellow	Lloydminster			XX	10	10	2	20	3
4	Isabelle SUEN (44,00)	Orange	Kodokwai				XX	10	1	10	4
5	Kendall GAUTHIER (42,30)	Orange	Hoku Sei Kan					XX	0	0	5

Matches/Matches

Match	White/Blanc			Blue/Bleu	Res/Rés	Tim/Tmp	Code
D-13	Isabelle SUEN	4	5	Kendall GAUTHIER	10 - 0	2:00	IPO
D-14	TESS FLANAGAN	1	2	KAREEM ELMAYERGI	10 - 0	0:00	IPO
D-15	Pahtayken IAN	3	4	Isabelle SUEN	10 - 0	2:00	IPO
D-16	TESS FLANAGAN	1	5	Kendall GAUTHIER	10 - 0	2:00	IPO
D-24	KAREEM ELMAYERGI	2	3	Pahtayken IAN	10 - 0	2:00	IPO
D-25	TESS FLANAGAN	1	4	Isabelle SUEN	10 - 0	0:00	IPO
D-33	Pahtayken IAN	3	5	Kendall GAUTHIER	10 - 0	2:00	IPO
D-34	KAREEM ELMAYERGI	2	4	Isabelle SUEN	10 - 0	0:00	IPO
D-42	TESS FLANAGAN	1	3	Pahtayken IAN	10 - 0	2:00	IPO
D-43	KAREEM ELMAYERGI	2	5	Kendall GAUTHIER	10 - 0	0:00	IPO

Results/Résultats

Pos	Name/Nom
1	TESS FLANAGAN, Red Deer
2	KAREEM ELMAYERGI, St. Albert Tokai
3	Pahtayken IAN, Lloydminster
4	Isabelle SUEN, Kodokwai
5	Kendall GAUTHIER, Hoku Sei Kan

U12 Group 9

Competitors/Compétiteurs

#	Name/Nom	Grade	Club	1	2	3	4	5	W/G	Pts	Pos
1	Nikolai TCHESNOKOV (47,00)	Yellow	Kodokwai	XX	10	10	10	10	4	40	1
2	Jesslyn LEAWOOD (50,50)	O/G	Hoku Sei Kan		XX	10	10	10	3	30	2
3	Chambers LEXIA (51,20)	Y/O	Lloydminster			XX		10	1	10	4
4	Marianna KARAS (49,00)	Orange	Kodokwai			10	XX	10	2	20	3
5	Habibullah MOHOMMAD (48,00)	Orange	Kodokwai					XX	0	0	5

Matches/Matches

Match	White/Blanc			Blue/Bleu	Res/Rés	Tim/Tmp	Code
C-19	Marianna KARAS	4	5	Habibullah MOHOMMAD	10 - 0	2:00	IPO
C-20	Nikolai TCHESNOKOV	1	2	Jesslyn LEAWOOD	10 - 0	2:00	IPO
C-21	Chambers LEXIA	3	4	Marianna KARAS	0 - 10	2:00	IPO
C-22	Nikolai TCHESNOKOV	1	5	Habibullah MOHOMMAD	10 - 0	2:00	IPO
C-28	Jesslyn LEAWOOD	2	3	Chambers LEXIA	10 - 0	2:00	IPO
C-29	Nikolai TCHESNOKOV	1	4	Marianna KARAS	10 - 0	2:00	IPO
C-35	Chambers LEXIA	3	5	Habibullah MOHOMMAD	10 - 0	2:00	IPO
C-36	Jesslyn LEAWOOD	2	4	Marianna KARAS	10 - 0	2:00	IPO
C-42	Nikolai TCHESNOKOV	1	3	Chambers LEXIA	10 - 0	2:00	IPO
C-43	Jesslyn LEAWOOD	2	5	Habibullah MOHOMMAD	10 - 0	2:00	IPO

Results/Résultats

Pos	Name/Nom
1	Nikolai TCHESNOKOV, Kodokwai
2	Jesslyn LEAWOOD, Hoku Sei Kan
3	Marianna KARAS, Kodokwai
4	Chambers LEXIA, Lloydminster
5	Habibullah MOHOMMAD, Kodokwai

U14F -32 kg

Competitors/Compétiteurs

#	Name/Nom	Grade	Club	1	2	1	2	1	2	W/G	Pts	Pos
1	Olivia GOSSELIN (30,50)	Orange	Kodokwai	XX		XX		XX		0	0	2
2	EVELYN BEATON (32,50)	Green	Lethbridge Kyodokan	10	XX	10	XX		XX	2	20	1

Matches/Matches

Match	White/Blanc			Blue/Bleu	Res/Rés	Tim/Tmp	Code
A-2	Olivia GOSSELIN	1	2	EVELYN BEATON	0 - 10	1:01	IPO
A-9	Olivia GOSSELIN	1	2	EVELYN BEATON	0 - 10	0:34	IPO
A-16	Olivia GOSSELIN	1	2	EVELYN BEATON			

Results/Résultats

Pos	Name/Nom
1	EVELYN BEATON, Lethbridge Kyodokan
2	Olivia GOSSELIN, Kodokwai

U14F -36 kg

Competitors/Compétiteurs A

#	Name/Nom	Grade	Club	1	2	3	4	W/G	Pts	Pos
1	Jayna JOHNSTON (34,80)	Yellow	Kodokwai	XX	10		10	2	20	2
2	ALEXA HUSKA (34,60)	Yellow	Red Deer		XX			0	0	4
3	CHARLIZE ISABELLE MEDILO (35,60)	Green	Ishi Yama	10	10	XX	7	3	27	1
4	Mackenzie QUERIN (33,70)	Green	Hoku Sei Kan		10		XX	1	10	3

Matches/Matches A

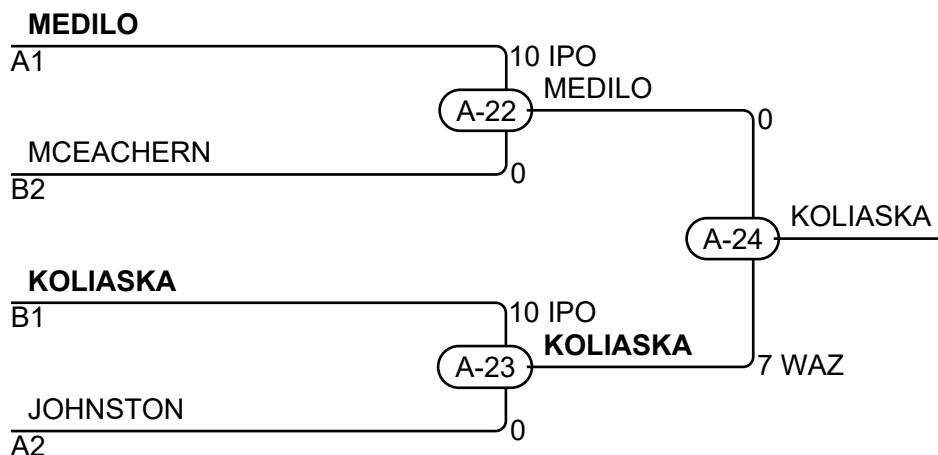
Match	White/Blanc			Blue/Bleu	Res/Rés	Tim/Tmp	Code
A-4	Jayna JOHNSTON	1	2	ALEXA HUSKA	10 - 0	1:04	IPO
A-5	CHARLIZE ISABELLE MEDILO	3	4	Mackenzie QUERIN	7 - 0	0:45	WAZ
A-11	Jayna JOHNSTON	1	3	CHARLIZE ISABELLE MEDILO	0 - 10	0:41	WIP
A-12	ALEXA HUSKA	2	4	Mackenzie QUERIN	0 - 10	0:19	IPO
A-18	Jayna JOHNSTON	1	4	Mackenzie QUERIN	10 - 0	0:53	WIP
A-19	ALEXA HUSKA	2	3	CHARLIZE ISABELLE MEDILO	0 - 10	1:02	WIP

Competitors/Compétiteurs B

#	Name/Nom	Grade	Club	5	6	7	W/G	Pts	Pos
5	Chiara GOSSELIN (34,70)	Orange	Kodokwai	XX			0	0	3
6	Sienna MCEACHERN (35,60)	Y/O	Hayabusa Training Centre	1	XX		1	1	2
7	ALIYA KOLIASKA (34,50)	Green	Lethbridge Kyodokan	10	10	XX	2	20	1

Matches/Matches B

Match	White/Blanc			Blue/Bleu	Res/Rés	Tim/Tmp	Code
A-6	Chiara GOSSELIN	5	6	Sienna MCEACHERN	0 - 1	2:00	YUS
A-13	Chiara GOSSELIN	5	7	ALIYA KOLIASKA	0 - 10	0:37	IPO
A-20	Sienna MCEACHERN	6	7	ALIYA KOLIASKA	0 - 10	1:05	WIP



Results/Résultats

Pos	Name/Nom
1	ALIYA KOLIASKA, Lethbridge Kyodokan
2	CHARLIZE ISABELLE MEDILO, Ishi Yama
3	Sienna MCEACHERN, Hayabusa Training Centre
3	Jayna JOHNSTON, Kodokwai

U14F -40 kg

Competitors/Compétiteurs

#	Name/Nom	Grade	Club	1	2	1	2	1	2	W/G	Pts	Pos
1	Jordan SHELLEY (39,00)	Orange	Hayabusa Training Centre	XX		XX		XX		0	0	2
2	RYLIE CALDWELL (37,30)	Orange	Lethbridge Kyodokan	10	XX	10	XX		XX	2	20	1

Matches/Matches

Match	White/Blanc			Blue/Bleu	Res/Rés	Tim/Tmp	Code
A-3	Jordan SHELLEY	1	2	RYLIE CALDWELL	0 - 10	1:26	WIP
A-10	Jordan SHELLEY	1	2	RYLIE CALDWELL	0 - 10	0:30	WIP
A-17	Jordan SHELLEY	1	2	RYLIE CALDWELL			

Results/Résultats

Pos	Name/Nom
1	RYLIE CALDWELL, Lethbridge Kyodokan
2	Jordan SHELLEY, Hayabusa Training Centre

U14F -44 kg

Competitors/Compétiteurs

#	Name/Nom	Grade	Club	1	2	1	2	1	2	W/G	Pts	Pos
1	MCKINNA MORRISON (44,00)	Green	Ishi Yama	XX		XX		XX		0	0	2
2	Alexis Dugas (43,00)	Y/O	Lloydminster	10	XX	10	XX		XX	2	20	1

Matches/Matches

Match	White/Blanc			Blue/Bleu	Res/Rés	Tim/Tmp	Code
A-1	MCKINNA MORRISON	1	2	Alexis Dugas	0 - 10	0:00	FUS
A-8	MCKINNA MORRISON	1	2	Alexis Dugas	0 - 10	0:00	FUS
A-15	MCKINNA MORRISON	1	2	Alexis Dugas			

Results/Résultats

Pos	Name/Nom
1	Alexis Dugas, Lloydminster
2	MCKINNA MORRISON, Ishi Yama

U14F -48 kg

Competitors/Compétiteurs

#	Name/Nom	Grade	Club	1	2	1	2	1	2	W/G	Pts	Pos
1	JILL FRANZ (47,80)	Orange	Red Deer	XX		XX		XX		0	0	2
2	Sydney KINDERWATER (48,30)	Green	Grande Prairie	10	XX	10	XX		XX	2	20	1

Matches/Matches

Match	White/Blanc			Blue/Bleu	Res/Rés	Tim/Tmp	Code
A-7	JILL FRANZ	1	2	Sydney KINDERWATER	0 - 10	0:13	IPO
A-14	JILL FRANZ	1	2	Sydney KINDERWATER	0 - 10	0:44	IPO
A-21	JILL FRANZ	1	2	Sydney KINDERWATER			

Results/Résultats

Pos	Name/Nom
1	Sydney KINDERWATER, Grande Prairie
2	JILL FRANZ, Red Deer

U14M -34 kg

Competitors/Compétiteurs A

#	Name/Nom	Grade	Club	1	2	3	4	W/G	Pts	Pos
1	Keenan HANEARIN-BALCZER (32,40)	Green	Hiro's	XX	10			1	10	2
2	TAYVEN TREMBLAY (31,00)	Green	St. Albert Tokai		XX		10	1	10	3
3	CALEB DEMAERE (32,40)	Green	Lethbridge Kyodokan	10	10	XX	10	3	30	1
4	Duncan THIRSK (33,70)	Orange	Kodokwai	1			XX	1	1	4

Matches/Matchs A

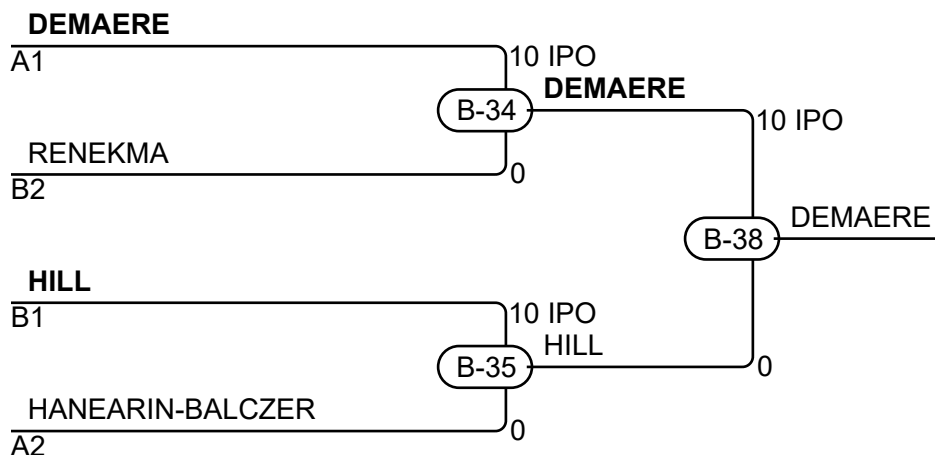
Match	White/Blanc	Blue/Bleu	Res/Rés	Tim/Tmp	Code
B-15	Keenan HANEARIN-BALCZER	TAYVEN TREMBLAY	10 - 0	1:09	WIP
B-16	CALEB DEMAERE	Duncan THIRSK	10 - 0	0:19	IPO
B-22	Keenan HANEARIN-BALCZER	CALEB DEMAERE	0 - 10	1:22	WIP
B-23	TAYVEN TREMBLAY	Duncan THIRSK	10 - 0	1:15	IPO
B-29	Keenan HANEARIN-BALCZER	Duncan THIRSK	0 - 1	2:00	YUS
B-30	TAYVEN TREMBLAY	CALEB DEMAERE	0 - 10	1:07	WIP

Competitors/Compétiteurs B

#	Name/Nom	Grade	Club	5	6	7	W/G	Pts	Pos
5	Noah RENEKMA (32,90)	Yellow	Airdrie	XX	10		1	10	2
6	ADAM FARHAT (30,50)	Orange	Ishi Yama		XX		0	0	3
7	ELIJAH HILL (33,40)	Green	Lethbridge Kyodokan	10	1	XX	2	11	1

Matches/Matchs B

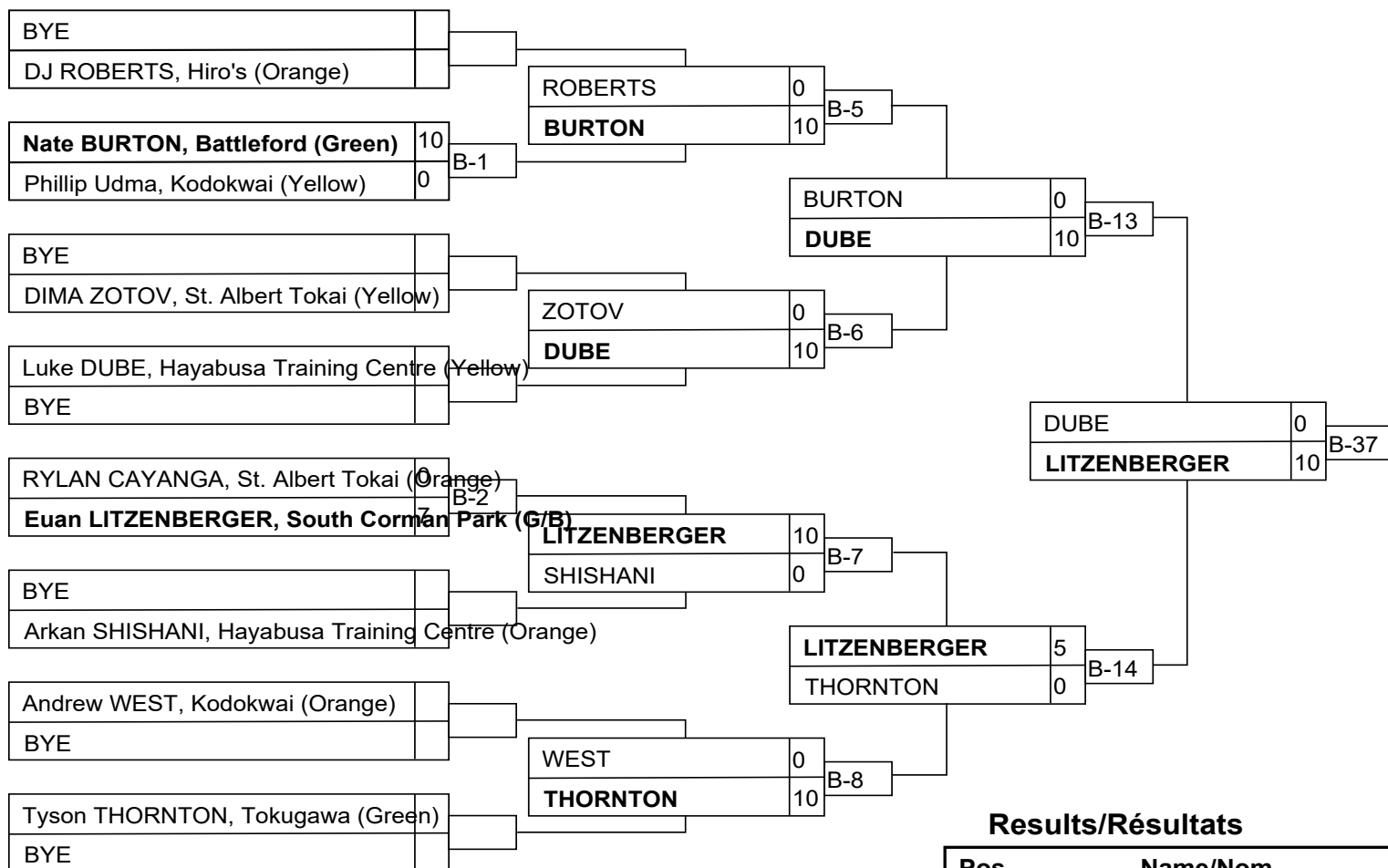
Match	White/Blanc	Blue/Bleu	Res/Rés	Tim/Tmp	Code
B-17	Noah RENEKMA	ADAM FARHAT	10 - 0	0:25	IPO
B-24	Noah RENEKMA	ELIJAH HILL	0 - 10	0:39	WIP
B-31	ADAM FARHAT	ELIJAH HILL	0 - 1	2:00	YUS



Results/Résultats

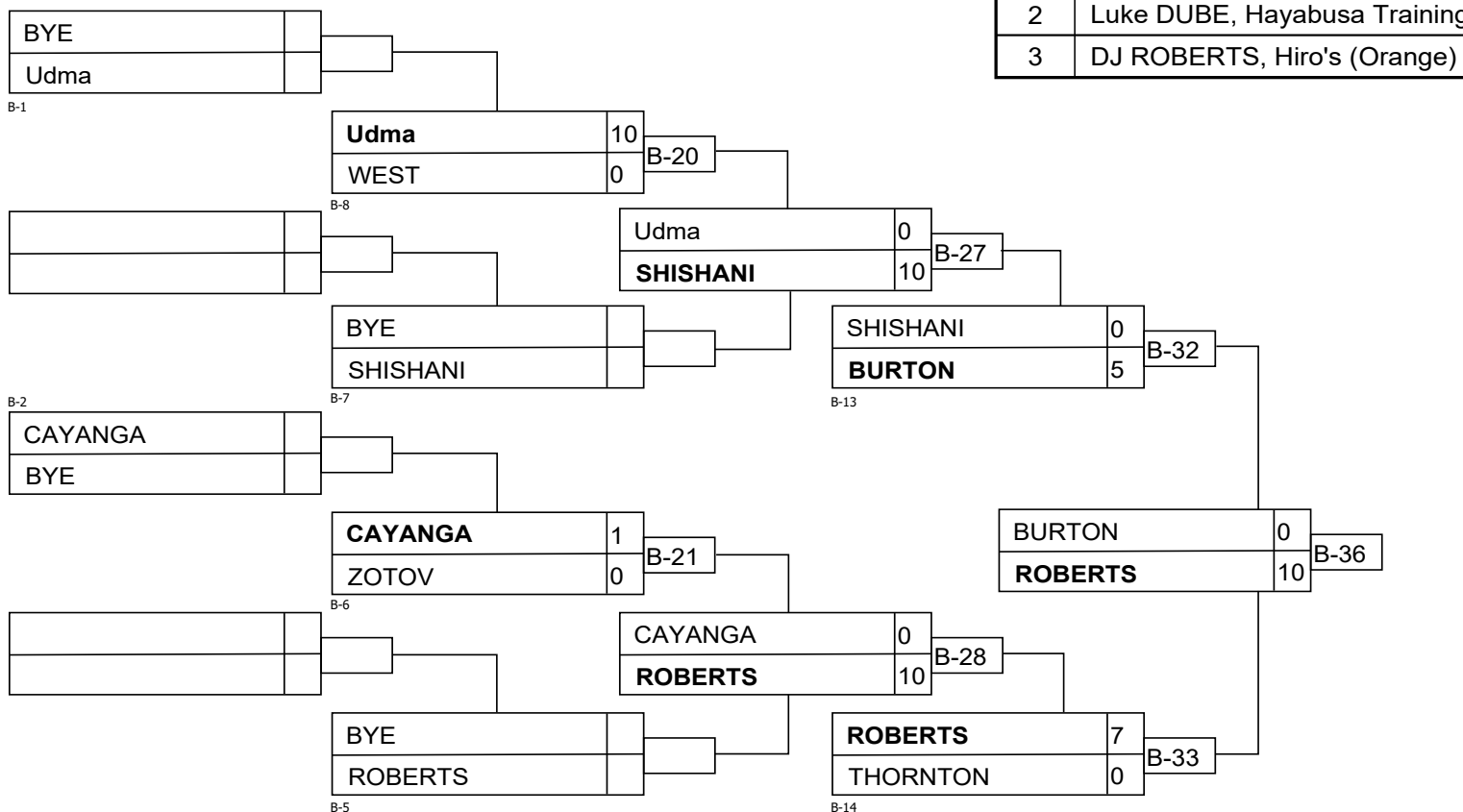
Pos	Name/Nom
1	CALEB DEMAERE, Lethbridge Kyodokan
2	ELIJAH HILL, Lethbridge Kyodokan
3	Noah RENEKMA, Airdrie
3	Keenan HANEARIN-BALCZER, Hiro's

U14M -38 kg



Results/Résultats

Pos	Name/Nom
1	Euan LITZENBERGER, South Corman Park (G/B)
2	Luke DUBE, Hayabusa Training Centre (Yellow)
3	DJ ROBERTS, Hiro's (Orange)



U14M -42 kg

Competitors/Compétiteurs

#	Name/Nom	Grade	Club	1	2	3	4	W/G	Pts	Pos
1	Kaleb FRITSEN (42,00)	Green	Kodokwai	XX	10	1	10	3	21	1
2	NATHAN ROLFE (39,70)	Green	Ishi Yama		XX			0	0	4
3	Aidan HARDING (40,40)	O/G	Ryu Senshi		7	XX		1	7	3
4	TROY GALLANT (40,40)	Green	Lethbridge Kyodokan		1	1	XX	2	2	2

Matches/Matches

Match	White/Blanc			Blue/Bleu	Res/Rés	Tim/Tmp	Code
A-27	Kaleb FRITSEN	1	2	NATHAN ROLFE	10 - 0	0:36	WIP
A-28	Aidan HARDING	3	4	TROY GALLANT	0 - 1	2:00	YUS
A-31	Kaleb FRITSEN	1	3	Aidan HARDING	1 - 0	2:00	YUS
A-32	NATHAN ROLFE	2	4	TROY GALLANT	0 - 1	2:00	YUS
A-35	Kaleb FRITSEN	1	4	TROY GALLANT	10 - 0	1:13	WIP
A-36	NATHAN ROLFE	2	3	Aidan HARDING	0 - 7	2:00	WAZ

Results/Résultats

Pos	Name/Nom
1	Kaleb FRITSEN, Kodokwai
2	TROY GALLANT, Lethbridge Kyodokan
3	Aidan HARDING, Ryu Senshi
4	NATHAN ROLFE, Ishi Yama

U14M -46 kg

Competitors/Compétiteurs

#	Name/Nom	Grade	Club	1	2	3	W/G	Pts	Pos
1	ANTHONY GORODETSKY (43,69)	Green	Ishi Yama	XX	10	10	2	20	1
2	VICTOR CRAEVOI (46,00)	Green	St. Albert Tokai		XX	10	1	10	2
3	Pahtayken AIDEN (45,90)	Yellow	Lloydminster			XX	0	0	3

Matches/Matches

Match	White/Blanc			Blue/Bleu	Res/Rés	Tim/Tmp	Code
A-25	ANTHONY GORODETSKY	1	2	VICTOR CRAEVOI	10 - 0	1:07	IPO
A-29	ANTHONY GORODETSKY	1	3	Pahtayken AIDEN	10 - 0	0:08	IPO
A-33	VICTOR CRAEVOI	2	3	Pahtayken AIDEN	10 - 0	0:12	IPO

Results/Résultats

Pos	Name/Nom
1	ANTHONY GORODETSKY, Ishi Yama
2	VICTOR CRAEVOI, St. Albert Tokai
3	Pahtayken AIDEN, Lloydminster

U14M -50 kg

Competitors/Compétiteurs

#	Name/Nom	Grade	Club	1	2	3	4	5	W/G	Pts	Pos
1	RYLAN ADRIAN (46,10)	Green	Lethbridge Kyodokan	XX		10	10		2	20	3
2	Andrew MICU (49,30)	Blue	Hiro's	10	XX	10	10	10	4	40	1
3	Rylan LEAWOOD (48,10)	Green	Hoku Sei Kan			XX	1		1	1	4
4	MATTIAS FORSBERG (49,10)	Orange	Lethbridge Kyodokan				XX		0	0	5
5	CARTER ALTHOUSE (49,00)	Green	Lethbridge Kyodokan	1		10	10	XX	3	21	2

Matches/Matches

Match	White/Blanc			Blue/Bleu	Res/Rés	Tim/Tmp	Code
B-3	MATTIAS FORSBERG	4	5	CARTER ALTHOUSE	0 - 10	1:41	WIP
B-4	RYLAN ADRIAN	1	2	Andrew MICU	0 - 10	1:03	IPO
B-9	Rylan LEAWOOD	3	4	MATTIAS FORSBERG	1 - 0	2:00	YUS
B-10	RYLAN ADRIAN	1	5	CARTER ALTHOUSE	0 - 1	2:00	YUS
B-11	Andrew MICU	2	3	Rylan LEAWOOD	10 - 0	0:13	IPO
B-12	RYLAN ADRIAN	1	4	MATTIAS FORSBERG	10 - 0	0:45	IPO
B-18	Rylan LEAWOOD	3	5	CARTER ALTHOUSE	0 - 10	0:06	IPO
B-19	Andrew MICU	2	4	MATTIAS FORSBERG	10 - 0	0:11	IPO
B-25	RYLAN ADRIAN	1	3	Rylan LEAWOOD	10 - 0	0:50	IPO
B-26	Andrew MICU	2	5	CARTER ALTHOUSE	10 - 0	1:41	IPO

Results/Résultats

Pos	Name/Nom
1	Andrew MICU, Hiro's
2	CARTER ALTHOUSE, Lethbridge Kyodokan
3	RYLAN ADRIAN, Lethbridge Kyodokan
4	Rylan LEAWOOD, Hoku Sei Kan
5	MATTIAS FORSBERG, Lethbridge Kyodokan

U14M -55 kg

Competitors/Compétiteurs

#	Name/Nom	Grade	Club	1	2	1	2	1	2	W/G	Pts	Pos
1	Blake CALLAGHAN (53,00)	Green	Kenshukan	XX	10	XX	10	XX		2	20	1
2	Aidan GRESIK (51,40)	Yellow	Hayabusa Training Centre		XX		XX		XX	0	0	2

Matches/Matches

Match	White/Blanc			Blue/Bleu	Res/Rés	Tim/Tmp	Code
A-26	Blake CALLAGHAN	1	2	Aidan GRESIK	10 - 0	0:22	IPO
A-30	Blake CALLAGHAN	1	2	Aidan GRESIK	10 - 0	1:58	IPO
A-34	Blake CALLAGHAN	1	2	Aidan GRESIK			

Results/Résultats

Pos	Name/Nom
1	Blake CALLAGHAN, Kenshukan
2	Aidan GRESIK, Hayabusa Training Centre

U14M +66 kg

Competitors/Compétiteurs

#	Name/Nom	Grade	Club	1	W/G	Pts	Pos
1	Nour ELHSHAIRI (71,60)	Yellow	Kodokwai	X	0	0	1

Matches/Matches

Match	White/Blanc	Blue/Bleu	Res/Rés	Tim/Tmp	Code
-------	-------------	-----------	---------	---------	------

Results/Résultats

Pos	Name/Nom
1	Nour ELHSHAIRI, Kodokwai

U16F -44 kg

Competitors/Compétiteurs

#	Name/Nom	Grade	Club	1	2	3	W/G	Pts	Pos
1	Anna PRUS-CZARNECKA (41,00)	Green	Tokugawa	XX			0	0	3
2	EMA TESANOVIC (42,10)	Blue	Ishi Yama	10	XX	10	2	20	1
3	Natalie THIRSK (43,50)	Orange	Kodokwai	10		XX	1	10	2

Matches/Matches

Match	White/Blanc			Blue/Bleu	Res/Rés	Tim/Tmp	Code
A-49	Anna PRUS-CZARNECKA	1	2	EMA TESANOVIC	0 - 10	0:54	IPO
A-56	Anna PRUS-CZARNECKA	1	3	Natalie THIRSK	0 - 10	2:49	WIP
A-65	EMA TESANOVIC	2	3	Natalie THIRSK	10 - 0	0:20	IPO

Results/Résultats

Pos	Name/Nom
1	EMA TESANOVIC, Ishi Yama
2	Natalie THIRSK, Kodokwai
3	Anna PRUS-CZARNECKA, Tokugawa

U16F -48 kg

Competitors/Compétiteurs

#	Name/Nom	Grade	Club	1	2	1	2	1	2	W/G	Pts	Pos
1	Kondelia KARAS (47,70)	Orange	Kodokwai	XX		XX		XX		0	0	2
2	CECILIA MARIE MEDILO (47,80)	Green	Ishi Yama	10	XX	10	XX		XX	2	20	1

Matches/Matches

Match	White/Blanc			Blue/Bleu	Res/Rés	Tim/Tmp	Code
A-47	Kondelia KARAS	1	2	CECILIA MARIE MEDILO	0 - 10	1:05	WIP
A-54	Kondelia KARAS	1	2	CECILIA MARIE MEDILO	0 - 10	1:05	IPO
A-63	Kondelia KARAS	1	2	CECILIA MARIE MEDILO			

Results/Résultats

Pos	Name/Nom
1	CECILIA MARIE MEDILO, Ishi Yama
2	Kondelia KARAS, Kodokwai

U16F -52 kg

Competitors/Compétiteurs

#	Name/Nom	Grade	Club	1	2	3	4	W/G	Pts	Pos
1	CORALEA PIENKOWSKI (50,90)	Green	Lethbridge Kyodokan	XX		10		1	10	3
2	EMMA CALDWELL (50,50)	Green	Lethbridge Kyodokan	5	XX	10		2	15	2
3	Elysia KEHRIG (51,80)	Green	Pense			XX		0	0	4
4	KIERA WESTLAKE (51,60)	Blue	Lethbridge Kyodokan	10	10	10	XX	3	30	1

Matches/Matches

Match	White/Blanc			Blue/Bleu	Res/Rés	Tim/Tmp	Code
A-43	CORALEA PIENKOWSKI	1	2	EMMA CALDWELL	0 - 5	3:00	YUK
A-44	Elysia KEHRIG	3	4	KIERA WESTLAKE	0 - 10	1:07	IPO
A-52	CORALEA PIENKOWSKI	1	3	Elysia KEHRIG	10 - 0	2:26	WIP
A-53	EMMA CALDWELL	2	4	KIERA WESTLAKE	0 - 10	2:31	IPO
A-59	CORALEA PIENKOWSKI	1	4	KIERA WESTLAKE	0 - 10	2:07	WIP
A-60	EMMA CALDWELL	2	3	Elysia KEHRIG	10 - 0	0:34	IPO

Results/Résultats

Pos	Name/Nom
1	KIERA WESTLAKE, Lethbridge Kyodokan
2	EMMA CALDWELL, Lethbridge Kyodokan
3	CORALEA PIENKOWSKI, Lethbridge Kyodokan
4	Elysia KEHRIG, Pense

U16F -57 kg

Competitors/Compétiteurs

#	Name/Nom	Grade	Club	1	2	3	W/G	Pts	Pos
1	Isabella SHEPANSKY (57,60)	Yellow	Hayabusa Training Centre	XX	10	7	2	17	1
2	ARIANA SCHAFFEL (56,10)	Orange	Lethbridge Kyodokan		XX		0	0	3
3	Kelly POLOWY (54,90)	Green	Kodokwai		10	XX	1	10	2

Matches/Matches

Match	White/Blanc			Blue/Bleu	Res/Rés	Tim/Tmp	Code
A-48	Isabella SHEPANSKY	1	2	ARIANA SCHAFFEL	10 - 0	1:00	IPO
A-55	Isabella SHEPANSKY	1	3	Kelly POLOWY	7 - 0	3:00	WAZ
A-64	ARIANA SCHAFFEL	2	3	Kelly POLOWY	0 - 10	0:23	WIP

Results/Résultats

Pos	Name/Nom
1	Isabella SHEPANSKY, Hayabusa Training Centre
2	Kelly POLOWY, Kodokwai
3	ARIANA SCHAFFEL, Lethbridge Kyodokan

U16M -38 kg

Competitors/Compétiteurs

#	Name/Nom	Grade	Club	1	2	3	4	W/G	Pts	Pos
1	Victor VYSOTSKI (32,20)	Green	Kodokwai	XX		7		1	7	3
2	Douglas O'BRIEN (36,30)	Blue	Hiro's	10	XX	7		2	17	2
3	Arkan SHISHANI (36,20)	Orange	Hayabusa Training Centre			XX		0	0	4
4	AIDAN LAZENBY (34,20)	Green	Lethbridge Kyodokan	10	7	10	XX	3	27	1

Matches/Matches

Match	White/Blanc			Blue/Bleu	Res/Rés	Tim/Tmp	Code
B-47	Victor VYSOTSKI	1	2	Douglas O'BRIEN	0 - 10	0:21	IPO
B-48	Arkan SHISHANI	3	4	AIDAN LAZENBY	0 - 10	1:18	WIP
B-55	Victor VYSOTSKI	1	3	Arkan SHISHANI	7 - 0	7:29	GSW
B-56	Douglas O'BRIEN	2	4	AIDAN LAZENBY	0 - 7	3:00	WAZ
B-63	Victor VYSOTSKI	1	4	AIDAN LAZENBY	0 - 10	0:00	FUS
B-64	Douglas O'BRIEN	2	3	Arkan SHISHANI	7 - 0	3:00	WAZ

Results/Résultats

Pos	Name/Nom
1	AIDAN LAZENBY, Lethbridge Kyodokan
2	Douglas O'BRIEN, Hiro's
3	Victor VYSOTSKI, Kodokwai
4	Arkan SHISHANI, Hayabusa Training Centre

U16M -42 kg

Competitors/Compétiteurs

#	Name/Nom	Grade	Club	1	2	3	W/G	Pts	Pos
1	Chris MOGDAN (39,30)	Green	Hiro's	XX			0	0	3
2	Jarrett HANEARIN-BALCZER (42,00)	Green	Hiro's	10	XX	10	2	20	1
3	Tymour ANAN (40,40)	Green	Hiro's	10		XX	1	10	2

Matches/Matches

Match	White/Blanc			Blue/Bleu	Res/Rés	Tim/Tmp	Code
B-43	Chris MOGDAN	1	2	Jarrett HANEARIN-BALCZER	0 - 10	0:37	IPO
B-51	Chris MOGDAN	1	3	Tymour ANAN	0 - 10	1:55	WIP
B-59	Jarrett HANEARIN-BALCZER	2	3	Tymour ANAN	10 - 0	1:03	IPO

Results/Résultats

Pos	Name/Nom
1	Jarrett HANEARIN-BALCZER, Hiro's
2	Tymour ANAN, Hiro's
3	Chris MOGDAN, Hiro's

U16M -46 kg

Competitors/Compétiteurs A

#	Name/Nom	Grade	Club	1	2	3	W/G	Pts	Pos
1	Katsuo LEUNG (43,60)	Blue	Hiro's	XX			0	0	3
2	Spencer MCDANIEL (44,00)	Green	Kodokwai	7	XX		1	7	2
3	Maximus LITZENBERGER (45,20)	Br	South Corman Park	10	10	XX	2	20	1

Matches/Matches A

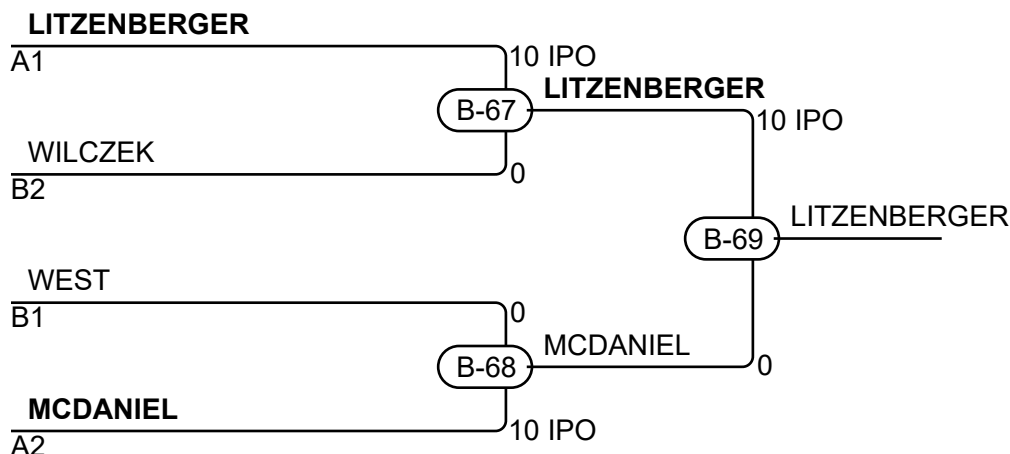
Match	White/Blanc			Blue/Bleu	Res/Rés	Tim/Tmp	Code
B-49	Katsuo LEUNG	1	2	Spencer MCDANIEL	0 - 7	3:00	WAZ
B-57	Katsuo LEUNG	1	3	Maximus LITZENBERGER	0 - 10	0:46	IPO
B-65	Spencer MCDANIEL	2	3	Maximus LITZENBERGER	0 - 10	1:20	IPO

Competitors/Compétiteurs B

#	Name/Nom	Grade	Club	4	5	6	W/G	Pts	Pos
4	Christopher WEST (44,20)	Orange	Kodokwai	XX	1	10	2	11	1
5	Alexander WILCZEK (44,90)	Blue	Hiro's		XX	10	1	10	2
6	Skylar TRINIER (45,50)	Green	Tokugawa			XX	0	0	3

Matches/Matches B

Match	White/Blanc			Blue/Bleu	Res/Rés	Tim/Tmp	Code
B-50	Christopher WEST	4	5	Alexander WILCZEK	1 - 0	3:00	YUS
B-58	Christopher WEST	4	6	Skylar TRINIER	10 - 0	0:32	WIP
B-66	Alexander WILCZEK	5	6	Skylar TRINIER	10 - 0	1:47	IPO



Results/Résultats

Pos	Name/Nom
1	Maximus LITZENBERGER, South Corman Park
2	Spencer MCDANIEL, Kodokwai
3	Alexander WILCZEK, Hiro's
3	Christopher WEST, Kodokwai

U16M -50 kg

Competitors/Compétiteurs

#	Name/Nom	Grade	Club	1	2	3	W/G	Pts	Pos
1	ALEX SMITH (48,30)	Green	Lethbridge Kyodokan	XX		10	1	10	2
2	Ruslan FRANKIV (49,60)	Green	Kodokwai	10	XX	10	2	20	1
3	Boyd HUM (49,90)	Green	Airdrie			XX	0	0	3

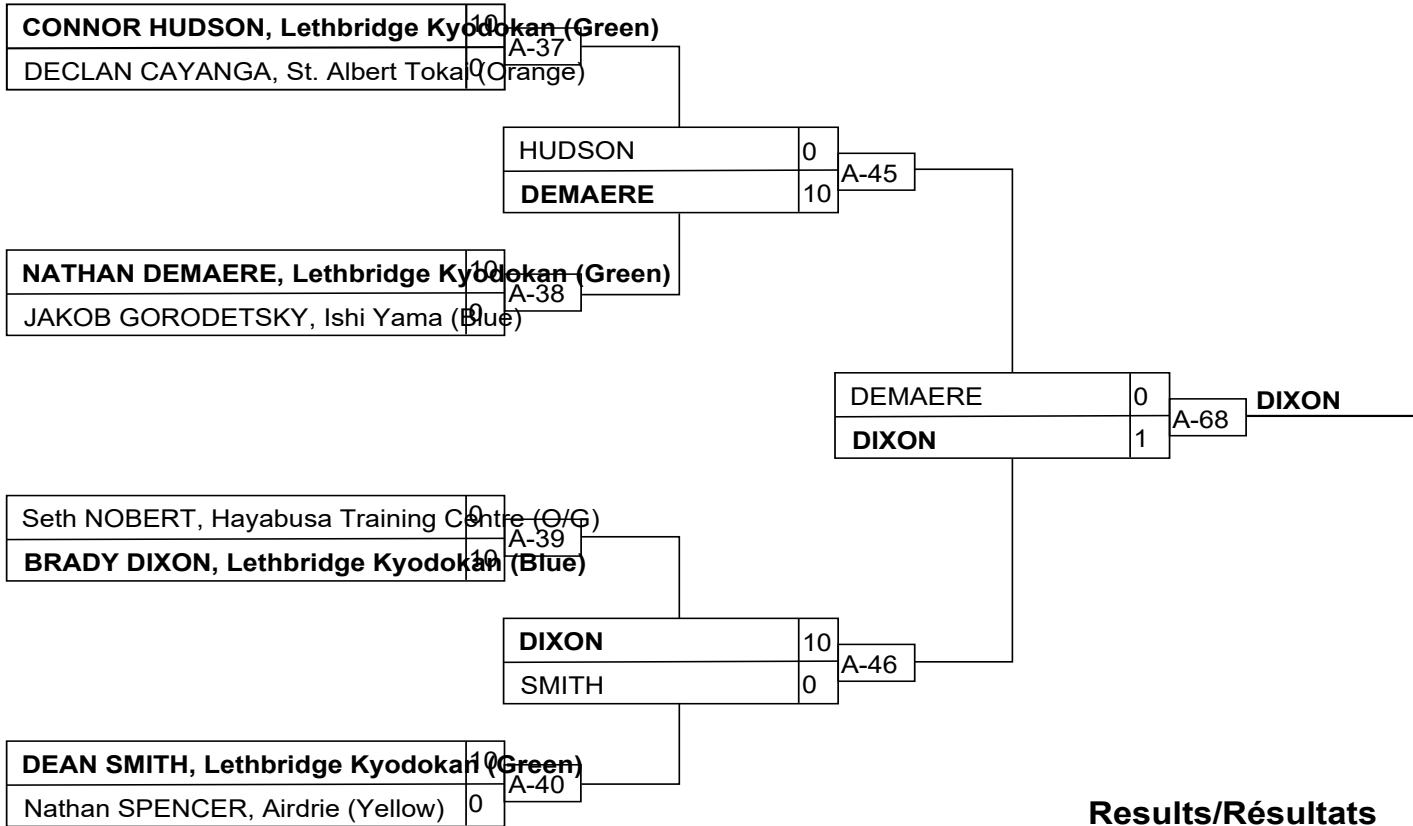
Matches/Matches

Match	White/Blanc			Blue/Bleu	Res/Rés	Tim/Tmp	Code
1	ALEX SMITH	1	2	Ruslan FRANKIV	0 - 10	0:00	IPO
2	ALEX SMITH	1	3	Boyd HUM	10 - 0	0:00	WIP
3	Ruslan FRANKIV	2	3	Boyd HUM	10 - 0	0:00	IPO

Results/Résultats

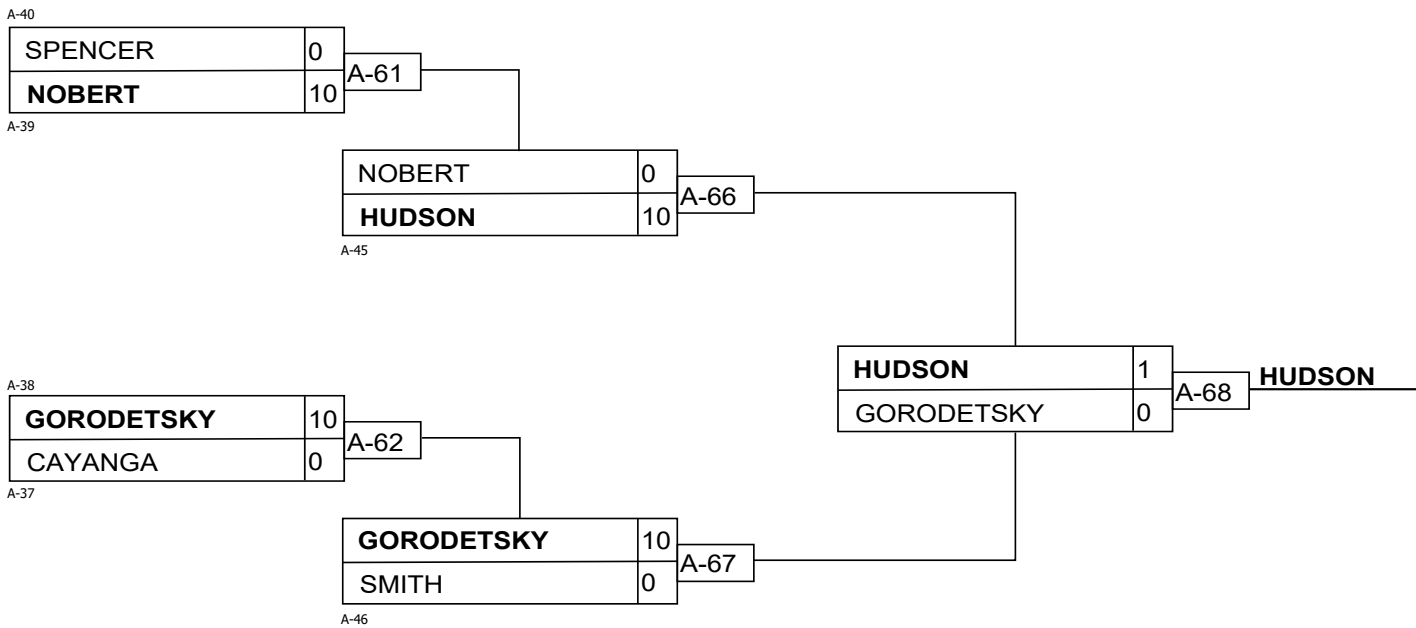
Pos	Name/Nom
1	Ruslan FRANKIV, Kodokwai
2	ALEX SMITH, Lethbridge Kyodokan
3	Boyd HUM, Airdrie

U16M -55 kg



Results/Résultats

Pos	Name/Nom
1	BRADY DIXON, Lethbridge Kyodokan
2	NATHAN DEMAERE, Lethbridge Kyodokan
3	CONNOR HUDSON, Lethbridge Kyodokan



U16M -60 kg

Competitors/Compétiteurs

#	Name/Nom	Grade	Club	1	2	3	4	5	W/G	Pts	Pos
1	TIGHE MCASEY (58,50)	Green	Ishi Yama	XX	10			5	2	15	3
2	Ben GAAL (58,70)	Orange	Kodokwai		XX				0	0	5
3	Alexander WU (58,50)	Green	Tokugawa	10	10	XX	5	10	4	35	1
4	BRANTLEY SAAR (57,80)	Green	Lethbridge Kyodokan	10	10		XX	10	3	30	2
5	JOSH POMAHAC (58,80)	Orange	Lethbridge Kyodokan		7			XX	1	7	4

Matches/Matches

Match	White/Blanc			Blue/Bleu	Res/Rés	Tim/Tmp	Code
B-39	BRANTLEY SAAR	4	5	JOSH POMAHAC	10 - 0	0:48	IPO
B-40	TIGHE MCASEY	1	2	Ben GAAL	10 - 0	2:38	IPO
B-41	Alexander WU	3	4	BRANTLEY SAAR	5 - 0	3:00	YUK
B-42	TIGHE MCASEY	1	5	JOSH POMAHAC	5 - 0	3:00	YUK
B-45	Ben GAAL	2	3	Alexander WU	0 - 10	0:26	WIP
B-46	TIGHE MCASEY	1	4	BRANTLEY SAAR	0 - 10	2:14	WIP
B-53	Alexander WU	3	5	JOSH POMAHAC	10 - 0	0:13	IPO
B-54	Ben GAAL	2	4	BRANTLEY SAAR	0 - 10	0:48	IPO
B-61	TIGHE MCASEY	1	3	Alexander WU	0 - 10	1:20	IPO
B-62	Ben GAAL	2	5	JOSH POMAHAC	0 - 7	3:00	WAZ

Results/Résultats

Pos	Name/Nom
1	Alexander WU, Tokugawa
2	BRANTLEY SAAR, Lethbridge Kyodokan
3	TIGHE MCASEY, Ishi Yama
4	JOSH POMAHAC, Lethbridge Kyodokan
5	Ben GAAL, Kodokwai

U16M -66 kg

Competitors/Compétiteurs

#	Name/Nom	Grade	Club	1	2	3	4	W/G	Pts	Pos
1	Noah SEXSMITH (61,30)	Yellow	Hayabusa Training Centre	XX				0	0	4
2	Brett DUDAR (62,10)	O/G	Hayabusa Training Centre	10	XX	10		2	20	2
3	Chris POLOWY (60,60)	Orange	kodokwai	7		XX		1	7	3
4	TAYLOR ALTHOUSE (64,70)	Green	Lethbridge Kyodokan	10	7	10	XX	3	27	1

Matches/Matches

Match	White/Blanc			Blue/Bleu	Res/Rés	Tim/Tmp	Code
A-41	Noah SEXSMITH	1	2	Brett DUDAR	0 - 10	0:50	IPO
A-42	Chris POLOWY	3	4	TAYLOR ALTHOUSE	0 - 10	0:51	WIP
A-50	Noah SEXSMITH	1	3	Chris POLOWY	0 - 7	3:00	WAZ
A-51	Brett DUDAR	2	4	TAYLOR ALTHOUSE	0 - 7	3:00	WAZ
A-57	Noah SEXSMITH	1	4	TAYLOR ALTHOUSE	0 - 10	0:14	IPO
A-58	Brett DUDAR	2	3	Chris POLOWY	10 - 0	0:36	WIP

Results/Résultats

Pos	Name/Nom
1	TAYLOR ALTHOUSE, Lethbridge Kyodokan
2	Brett DUDAR, Hayabusa Training Centre
3	Chris POLOWY, kodokwai
4	Noah SEXSMITH, Hayabusa Training Centre

U16M -73 kg

Competitors/Compétiteurs

#	Name/Nom	Grade	Club	1	W/G	Pts	Pos
1	JOSHUA HILL (71,00)	Green	Lethbridge Kyodokan	X	0	0	1

Matches/Matches

Match	White/Blanc	Blue/Bleu	Res/Rés	Tim/Tmp	Code
-------	-------------	-----------	---------	---------	------

Results/Résultats

Pos	Name/Nom
1	JOSHUA HILL, Lethbridge Kyodokan

U18F -48 kg

Competitors/Compétiteurs

#	Name/Nom	Grade	Club	1	2	1	2	1	2	W/G	Pts	Pos
1	Grace BURTON (48,00)	Blue	Battleford	XX		XX		XX		0	0	2
2	CECILIA MARIE MEDILO (47,80)	Green	Ishi Yama	10	XX	10	XX		XX	2	20	1

Matches/Matches

Match	White/Blanc			Blue/Bleu	Res/Rés	Tim/Tmp	Code
A-73	Grace BURTON	1	2	CECILIA MARIE MEDILO	0 - 10	0:40	IPO
A-82	Grace BURTON	1	2	CECILIA MARIE MEDILO	0 - 10	3:37	IPO
A-91	Grace BURTON	1	2	CECILIA MARIE MEDILO			

Results/Résultats

Pos	Name/Nom
1	CECILIA MARIE MEDILO, Ishi Yama
2	Grace BURTON, Battleford

U18F -52 kg

Competitors/Compétiteurs

#	Name/Nom	Grade	Club	1	2	1	2	1	2	W/G	Pts	Pos
1	Brenna BAGNELL (51,80)	G/B	Saskatoon YMCA	XX		XX		XX		0	0	2
2	KIERA WESTLAKE (51,60)	Blue	Lethbridge Kyodokan	10	XX	10	XX		XX	2	20	1

Matches/Matches

Match	White/Blanc			Blue/Bleu	Res/Rés	Tim/Tmp	Code
A-70	Brenna BAGNELL	1	2	KIERA WESTLAKE	0 - 10	0:12	IPO
A-79	Brenna BAGNELL	1	2	KIERA WESTLAKE	0 - 10	0:40	WIP
A-88	Brenna BAGNELL	1	2	KIERA WESTLAKE			

Results/Résultats

Pos	Name/Nom
1	KIERA WESTLAKE, Lethbridge Kyodokan
2	Brenna BAGNELL, Saskatoon YMCA

U18F -57 kg

Competitors/Compétiteurs

#	Name/Nom	Grade	Club	1	2	3	W/G	Pts	Pos
1	MATTIE CALDWELL (56,00)	Green	Lethbridge Kyodokan	XX			0	0	3
2	TIFFANY COOLICAN (56,10)	Brown	Lethbridge Kyodokan	10	XX		1	10	2
3	Miranda BELLISLE (56,80)	Blue	Saskatoon YMCA	10	10	XX	2	20	1

Matches/Matches

Match	White/Blanc			Blue/Bleu	Res/Rés	Tim/Tmp	Code
A-72	MATTIE CALDWELL	1	2	TIFFANY COOLICAN	0 - 10	0:51	IPO
A-81	MATTIE CALDWELL	1	3	Miranda BELLISLE	0 - 10	0:10	IPO
A-90	TIFFANY COOLICAN	2	3	Miranda BELLISLE	0 - 10	0:38	IPO

Results/Résultats

Pos	Name/Nom
1	Miranda BELLISLE, Saskatoon YMCA
2	TIFFANY COOLICAN, Lethbridge Kyodokan
3	MATTIE CALDWELL, Lethbridge Kyodokan

U18F -70 kg

Competitors/Compétiteurs

#	Name/Nom	Grade	Club	1	W/G	Pts	Pos
1	Losan SHISHANI (66,60)	O/G	Hayabusa Training Centre	X	0	0	1

Matches/Matches

Match	White/Blanc	Blue/Bleu	Res/Rés	Tim/Tmp	Code
-------	-------------	-----------	---------	---------	------

Results/Résultats

Pos	Name/Nom
1	Losan SHISHANI, Hayabusa Training Centre

U18F +70 kg

Competitors/Compétiteurs

#	Name/Nom	Grade	Club	1	W/G	Pts	Pos
1	ANNABELLE DARLOW (81,90)	Blue	Lethbridge Kyodokan	X	0	0	1

Matches/Matches

Match	White/Blanc	Blue/Bleu	Res/Rés	Tim/Tmp	Code
-------	-------------	-----------	---------	---------	------

Results/Résultats

Pos	Name/Nom
1	ANNABELLE DARLOW, Lethbridge Kyodokan

U18M -50 kg

Competitors/Compétiteurs

#	Name/Nom	Grade	Club	1	2	1	2	1	2	W/G	Pts	Pos
1	Declan HARDING (49,20)	Brown	Ryu Senshi	XX	10	XX	10	XX		2	20	1
2	Vincent GOSSELIN (49,30)	Green	Kodokwai		XX		XX		XX	0	0	2

Matches/Matches

Match	White/Blanc			Blue/Bleu	Res/Rés	Tim/Tmp	Code
B-83	Declan HARDING	1	2	Vincent GOSSELIN	10 - 0	1:25	WIP
B-93	Declan HARDING	1	2	Vincent GOSSELIN	10 - 0	0:47	IPO
B-103	Declan HARDING	1	2	Vincent GOSSELIN			

Results/Résultats

Pos	Name/Nom
1	Declan HARDING, Ryu Senshi
2	Vincent GOSSELIN, Kodokwai

U18M -55 kg

Competitors/Compétiteurs

#	Name/Nom	Grade	Club	1	2	3	W/G	Pts	Pos
1	Seth NOBERT (53,10)	O/G	Hayabusa Training Centre	XX	10		1	10	2
2	Curtis JEWER (53,20)	Yellow	Airdrie		XX		0	0	3
3	BRADY DIXON (53,90)	Blue	Lethbridge Kyodokan	10	10	XX	2	20	1

Matches/Matches

Match	White/Blanc			Blue/Bleu	Res/Rés	Tim/Tmp	Code
B-78	Seth NOBERT	1	2	Curtis JEWER	10 - 0	1:05	WIP
B-88	Seth NOBERT	1	3	BRADY DIXON	0 - 10	2:59	IPO
B-98	Curtis JEWER	2	3	BRADY DIXON	0 - 10	1:37	IPO

Results/Résultats

Pos	Name/Nom
1	BRADY DIXON, Lethbridge Kyodokan
2	Seth NOBERT, Hayabusa Training Centre
3	Curtis JEWER, Airdrie

U18M -60 kg

Competitors/Compétiteurs A

#	Name/Nom	Grade	Club	1	2	3	4	W/G	Pts	Pos
1	Alexander WU (58,50)	Green	Tokugawa	XX	10			1	10	3
2	Tristan RENEKMA (60,00)	Yellow	Airdrie		XX			0	0	4
3	Nicholas GAGNON (59,30)	Brown	Tolide	7	10	XX	7	3	24	1
4	Nicholas SKAF (59,80)	Brown	Avonhurst	10	10		XX	2	20	2

Matches/Matches A

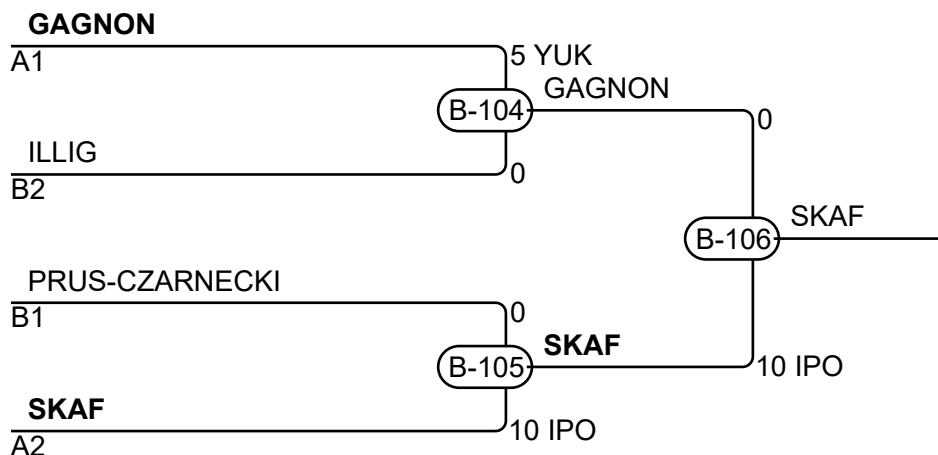
Match	White/Blanc	Blue/Bleu	Res/Rés	Tim/Tmp	Code
B-80	Alexander WU	1 2 Tristan RENEKMA	10 - 0	1:58	IPO
B-81	Nicholas GAGNON	3 4 Nicholas SKAF	7 - 0	4:00	WAZ
B-90	Alexander WU	1 3 Nicholas GAGNON	0 - 7	4:00	WAZ
B-91	Tristan RENEKMA	2 4 Nicholas SKAF	0 - 10	1:55	WIP
B-100	Alexander WU	1 4 Nicholas SKAF	0 - 10	0:59	IPO
B-101	Tristan RENEKMA	2 3 Nicholas GAGNON	0 - 10	2:38	WIP

Competitors/Compétiteurs B

#	Name/Nom	Grade	Club	5	6	7	W/G	Pts	Pos
5	Jesse ILLIG (59,30)	Blue	Tokugawa	XX	10		1	10	2
6	Kaeden RENDEK (59,60)	Brown	Creston		XX	1	1	1	3
7	Jan PRUS-CZARNECKI (60,00)	Blue	Tokugawa	10		XX	1	10	1

Matches/Matches B

Match	White/Blanc	Blue/Bleu	Res/Rés	Tim/Tmp	Code
B-82	Jesse ILLIG	5 6 Kaeden RENDEK	10 - 0	0:22	IPO
B-92	Jesse ILLIG	5 7 Jan PRUS-CZARNECKI	0 - 10	1:56	IPO
B-102	Kaeden RENDEK	6 7 Jan PRUS-CZARNECKI	1 - 0	4:00	YUS



Results/Résultats

Pos	Name/Nom
1	Nicholas SKAF, Avonhurst
2	Nicholas GAGNON, Tolide
3	Jesse ILLIG, Tokugawa
3	Jan PRUS-CZARNECKI, Tokugawa

U18M -66 kg

Competitors/Compétiteurs A

#	Name/Nom	Grade	Club	1	2	3	4	W/G	Pts	Pos
1	Davis JOHNSTON (61,00)	Blue	Kodokwai	XX	10	10	10	3	30	1
2	KAYEN IVEY (64,50)	Green	Lethbridge Kyodokan		XX	10	10	2	20	2
3	Jordan GIESBRECHT (63,10)	Yellow	Hayabusa Training Centre			XX		0	0	4
4	Tyler KOSTRON (65,00)	Brown	Avonhurst			10	XX	1	10	3

Matches/Matches A

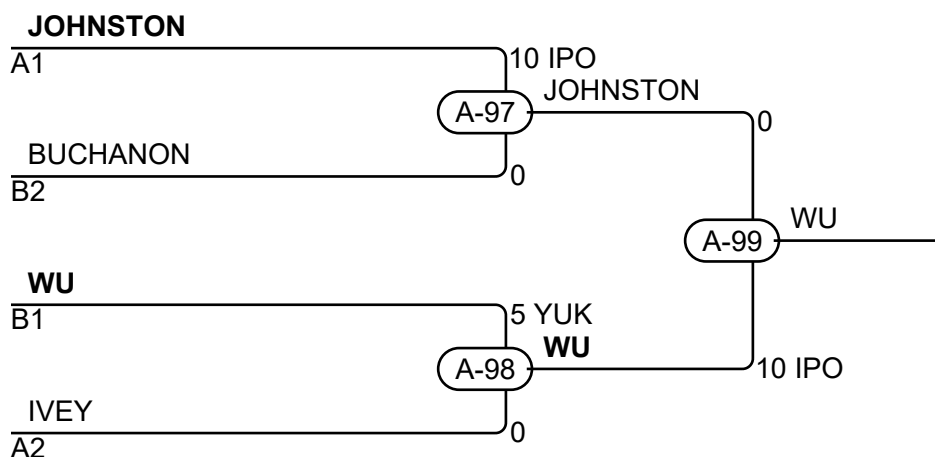
Match	White/Blanc	Blue/Bleu	Res/Rés	Tim/Tmp	Code
A-75	Davis JOHNSTON	1 2 KAYEN IVEY	10 - 0	0:21	IPO
A-76	Jordan GIESBRECHT	3 4 Tyler KOSTRON	0 - 10	1:03	IPO
A-84	Davis JOHNSTON	1 3 Jordan GIESBRECHT	10 - 0	0:49	IPO
A-85	KAYEN IVEY	2 4 Tyler KOSTRON	10 - 0	0:35	IPO
A-93	Davis JOHNSTON	1 4 Tyler KOSTRON	10 - 0	3:22	IPO
A-94	KAYEN IVEY	2 3 Jordan GIESBRECHT	10 - 0	0:11	IPO

Competitors/Compétiteurs B

#	Name/Nom	Grade	Club	5	6	7	W/G	Pts	Pos
5	Brett DUDAR (62,10)	O/G	Hayabusa Training Centre	XX			0	0	3
6	David WU (65,60)	Brown	Tokugawa	10	XX	10	2	20	1
7	Ty BUCHANON (66,00)	Orange	Kodokwai	10		XX	1	10	2

Matches/Matches B

Match	White/Blanc	Blue/Bleu	Res/Rés	Tim/Tmp	Code
A-77	Brett DUDAR	5 6 David WU	0 - 10	0:00	IPO
A-86	Brett DUDAR	5 7 Ty BUCHANON	0 - 10	0:00	IPO
A-95	David WU	6 7 Ty BUCHANON	10 - 0	0:57	WIP



Results/Résultats

Pos	Name/Nom
1	David WU, Tokugawa
2	Davis JOHNSTON, Kodokwai
3	Ty BUCHANON, Kodokwai
3	KAYEN IVEY, Lethbridge Kyodokan

U18M -73 kg

Competitors/Compétiteurs

#	Name/Nom	Grade	Club	1	2	3	4	W/G	Pts	Pos
1	Kace CALLAGHAN (72,90)	Blue	Kenshukan	XX	7			1	7	3
2	Daniel BAGNELL (67,80)	G/B	Saskatoon YMCA		XX			0	0	4
3	ZAC RENDER (69,80)	Blue	Lethbridge Kyodokan	5	10	XX		2	15	2
4	Adam THOMSON (71,60)	Brown	Hiro's	10	10	10	XX	3	30	1

Matches/Matches

Match	White/Blanc			Blue/Bleu	Res/Rés	Tim/Tmp	Code
B-74	Kace CALLAGHAN	1	2	Daniel BAGNELL	7 - 0	4:00	WAZ
B-75	ZAC RENDER	3	4	Adam THOMSON	0 - 10	2:19	WIP
B-84	Kace CALLAGHAN	1	3	ZAC RENDER	0 - 5	4:00	YUK
B-85	Daniel BAGNELL	2	4	Adam THOMSON	0 - 10	0:32	IPO
B-94	Kace CALLAGHAN	1	4	Adam THOMSON	0 - 10	0:37	WIP
B-95	Daniel BAGNELL	2	3	ZAC RENDER	0 - 10	0:25	IPO

Results/Résultats

Pos	Name/Nom
1	Adam THOMSON, Hiro's
2	ZAC RENDER, Lethbridge Kyodokan
3	Kace CALLAGHAN, Kenshukan
4	Daniel BAGNELL, Saskatoon YMCA

U18M -81 kg

Competitors/Compétiteurs

#	Name/Nom	Grade	Club	1	2	3	W/G	Pts	Pos
1	Danil MAMIASHEV (78,60)	Blue	Hiro's	XX	10	10	2	20	1
2	ETHAN COBBE-HOGGAN (78,80)	Green	Lethbridge Kyodokan		XX	7	1	7	2
3	Sasha TANASIUK (77,00)	Yellow	Hayabusa Training Centre			XX	0	0	3

Matches/Matches

Match	White/Blanc			Blue/Bleu	Res/Rés	Tim/Tmp	Code
A-74	Danil MAMIASHEV	1	2	ETHAN COBBE-HOGGAN	10 - 0	0:36	IPO
A-83	Danil MAMIASHEV	1	3	Sasha TANASIUK	10 - 0	0:13	IPO
A-92	ETHAN COBBE-HOGGAN	2	3	Sasha TANASIUK	7 - 0	4:00	WAZ

Results/Résultats

Pos	Name/Nom
1	Danil MAMIASHEV, Hiro's
2	ETHAN COBBE-HOGGAN, Lethbridge Kyodokan
3	Sasha TANASIUK, Hayabusa Training Centre

U21F -57 kg

Competitors/Compétiteurs

#	Name/Nom	Grade	Club	1	2	3	W/G	Pts	Pos
1	Alexandra GAGNON (56,50)	Shodan	Tolide	XX		5	1	5	2
2	Brette POLIAKIWSKI (56,20)	Brown	Lethbridge Kyodokan	1	XX	10	2	11	1
3	Miranda BELLISLE (56,80)	Blue	Saskatoon YMCA			XX	0	0	3

Matches/Matches

Match	White/Blanc			Blue/Bleu	Res/Rés	Tim/Tmp	Code
A-71	Alexandra GAGNON	1	2	Brette POLIAKIWSKI	0 - 1	4:00	YUS
A-80	Alexandra GAGNON	1	3	Miranda BELLISLE	5 - 0	4:00	YUK
A-89	Brette POLIAKIWSKI	2	3	Miranda BELLISLE	10 - 0	1:27	WIP

Results/Résultats

Pos	Name/Nom
1	Brette POLIAKIWSKI, Lethbridge Kyodokan
2	Alexandra GAGNON, Tolide
3	Miranda BELLISLE, Saskatoon YMCA

U21F -63 kg

Competitors/Compétiteurs

#	Name/Nom	Grade	Club	1	W/G	Pts	Pos
				X	0	0	1

Matches/Matches

Match	White/Blanc	Blue/Bleu	Res/Rés	Tim/Tmp	Code
-------	-------------	-----------	---------	---------	------

Results/Résultats

Pos	Name/Nom
1	

U21F -78 kg

Competitors/Compétiteurs

#	Name/Nom	Grade	Club	1	2	1	2	1	2	W/G	Pts	Pos
1	Megan NEUMAN (77,00)	Brown	Prince Albert Kenshukan	XX	10	XX	10	XX		2	20	1
2	SHIANNE GRONEN (77,20)	Blue	Lethbridge Kyodokan		XX		XX		XX	0	0	2

Matches/Matches

Match	White/Blanc			Blue/Bleu	Res/Rés	Tim/Tmp	Code
A-78	Megan NEUMAN	1	2	SHIANNE GRONEN	10 - 0	3:25	WIP
A-87	Megan NEUMAN	1	2	SHIANNE GRONEN	10 - 0	4:00	IPO
A-96	Megan NEUMAN	1	2	SHIANNE GRONEN			

Results/Résultats

Pos	Name/Nom
1	Megan NEUMAN, Prince Albert Kenshukan
2	SHIANNE GRONEN, Lethbridge Kyodokan

U21M -73 kg

Competitors/Compétiteurs

#	Name/Nom	Grade	Club	1	2	1	2	1	2	W/G	Pts	Pos
1	MAX TEEUWEN (71,80)	Brown	Lethbridge Kyodokan	XX	10	XX	10	XX		2	20	1
2	Roman FRANKIV (71,70)	Orange	Kodokwai		XX		XX		XX	0	0	2

Matches/Matches

Match	White/Blanc			Blue/Bleu	Res/Rés	Tim/Tmp	Code
B-79	MAX TEEUWEN	1	2	Roman FRANKIV	10 - 0	0:46	WIP
B-89	MAX TEEUWEN	1	2	Roman FRANKIV	10 - 0	1:20	IPO
B-99	MAX TEEUWEN	1	2	Roman FRANKIV			

Results/Résultats

Pos	Name/Nom
1	MAX TEEUWEN, Lethbridge Kyodokan
2	Roman FRANKIV, Kodokwai

U21M -81 kg

Competitors/Compétiteurs

#	Name/Nom	Grade	Club	1	W/G	Pts	Pos
1	Sasha TANASIUK (77,00)	Yellow	Hayabusa Training Centre	X	0	0	1

Matches/Matches

Match	White/Blanc	Blue/Bleu	Res/Rés	Tim/Tmp	Code
-------	-------------	-----------	---------	---------	------

Results/Résultats

Pos	Name/Nom
1	Sasha TANASIUK, Hayabusa Training Centre

SW -57 kg

Competitors/Compétiteurs

#	Name/Nom	Grade	Club	1	2	3	4	W/G	Pts	Pos
1	DAWN LINDWALL (56,40)	Orange	Lethbridge Kyodokan	XX				0	0	4
2	TIFFANY COOLICAN (56,10)	Brown	Lethbridge Kyodokan	10	XX			1	10	3
3	Alexandra GAGNON (56,50)	Shodan	Tolide	10	10	XX	7	3	27	1
4	Brette POLIAKIWSKI (56,20)	Brown	Lethbridge Kyodokan	10	5		XX	2	15	2

Matches/Matches

Match	White/Blanc			Blue/Bleu	Res/Rés	Tim/Tmp	Code
B-112	DAWN LINDWALL	1	2	TIFFANY COOLICAN	0 - 10	0:41	IPO
B-113	Alexandra GAGNON	3	4	Brette POLIAKIWSKI	7 - 0	4:00	WAZ
B-121	DAWN LINDWALL	1	3	Alexandra GAGNON	0 - 10	0:36	IPO
B-122	TIFFANY COOLICAN	2	4	Brette POLIAKIWSKI	0 - 5	4:00	YUK
B-130	DAWN LINDWALL	1	4	Brette POLIAKIWSKI	0 - 10	0:59	WIP
B-131	TIFFANY COOLICAN	2	3	Alexandra GAGNON	0 - 10	1:26	IPO

Results/Résultats

Pos	Name/Nom
1	Alexandra GAGNON, Tolide
2	Brette POLIAKIWSKI, Lethbridge Kyodokan
3	TIFFANY COOLICAN, Lethbridge Kyodokan
4	DAWN LINDWALL, Lethbridge Kyodokan

SW -63 kg

Competitors/Compétiteurs

#	Name/Nom	Grade	Club	1	2	3	W/G	Pts	Pos
1	Brittany SOUTH (61,80)	Orange	Hayabusa Training Centre	XX			0	0	3
2	HALEY HENRY (61,90)	Shodan	Lethbridge Kyodokan	10	XX	10	2	20	1
3	Taryn MONTGOMERY (61,20)	Brown	Saskatoon YMCA	7		XX	1	7	2

Matches/Matches

Match	White/Blanc			Blue/Bleu	Res/Rés	Tim/Tmp	Code
1	Brittany SOUTH	1	2	HALEY HENRY	0 - 10	0:00	IPO
2	Brittany SOUTH	1	3	Taryn MONTGOMERY	0 - 7	0:00	WAZ
3	HALEY HENRY	2	3	Taryn MONTGOMERY	10 - 0	0:00	IPO

Results/Résultats

Pos	Name/Nom
1	HALEY HENRY, Lethbridge Kyodokan
2	Taryn MONTGOMERY , Saskatoon YMCA
3	Brittany SOUTH, Hayabusa Training Centre

SW -70 kg

Competitors/Compétiteurs

#	Name/Nom	Grade	Club	1	2	3	W/G	Pts	Pos
1	Jenn AMARUALIK-YAREMKO (68,50) (68,50)g	O/G	Medicine Hat	XX			0	0	3
2	Losan SHISHANI (66,60)	O/G	Hayabusa Training Centre	10	XX		1	10	2
3	HANA VARSANYI (69,30)	Shodan	Lethbridge Kyodokan	10	10	XX	2	20	1

Matches/Matches

Match	White/Blanc			Blue/Bleu	Res/Rés	Tim/Tmp	Code
B-111	Jenn AMARUALIK-YAREMKO	1	2	Losan SHISHANI	0 - 10	0:45	IPO
B-120	Jenn AMARUALIK-YAREMKO	1	3	HANA VARSANYI	0 - 10	0:10	IPO
B-129	Losan SHISHANI	2	3	HANA VARSANYI	0 - 10	1:30	WIP

Results/Résultats

Pos	Name/Nom
1	HANA VARSANYI, Lethbridge Kyodokan
2	Losan SHISHANI, Hayabusa Training Centre
3	Jenn AMARUALIK-YAREMKO, Medicine Hat

SW -78 kg

Competitors/Compétiteurs

#	Name/Nom	Grade	Club	1	2	1	2	1	2	W/G	Pts	Pos
1	Jordan LANDRY (75,40)	Shodan	Kodokwai	XX		XX		XX		0	0	2
2	SHIANNE GRONEN (77,20)	Blue	Lethbridge Kyodokan	10	XX	10	XX		XX	2	20	1

Matches/Matches

Match	White/Blanc			Blue/Bleu	Res/Rés	Tim/Tmp	Code
B-116	Jordan LANDRY	1	2	SHIANNE GRONEN	0 - 10	1:50	IPO
B-125	Jordan LANDRY	1	2	SHIANNE GRONEN	0 - 10	1:37	IPO
B-134	Jordan LANDRY	1	2	SHIANNE GRONEN			

Results/Résultats

Pos	Name/Nom
1	SHIANNE GRONEN, Lethbridge Kyodokan
2	Jordan LANDRY, Kodokwai

SMBB +100

Competitors/Compétiteurs

#	Name/Nom	Grade	Club	1	2	1	2	1	2	W/G	Pts	Pos
1	COLIN KUNZLI (132,50)	Shodan	Lethbridge Kyodokan	XX		XX		XX		0	0	2
2	Mark PIVOVAR (111,20)	Nidan	Rodrigo Resende	10	XX	10	XX		XX	2	20	1

Matches/Matches

Match	White/Blanc			Blue/Bleu	Res/Rés	Tim/Tmp	Code
B-118	COLIN KUNZLI	1	2	Mark PIVOVAR	0 - 10	0:37	IPO
B-127	COLIN KUNZLI	1	2	Mark PIVOVAR	0 - 10	1:32	WIP
B-136	COLIN KUNZLI	1	2	Mark PIVOVAR			

Results/Résultats

Pos	Name/Nom
1	Mark PIVOVAR, Rodrigo Resende
2	COLIN KUNZLI, Lethbridge Kyodokan

SMBB -60 kg

Competitors/Compétiteurs

#	Name/Nom	Grade	Club	1	2	3	W/G	Pts	Pos
1	JUSTIN MCEACHERN (60,00)	Shodan	Lethbridge Kyodokan	XX		10	1	10	2
2	JOEL DEMAERE (59,20)	Brown	Lethbridge Kyodokan	10	XX	10	2	20	1
3	ANTHONY HENRY (58,60)	Brown	Lethbridge Kyodokan			XX	0	0	3

Matches/Matches

Match	White/Blanc			Blue/Bleu	Res/Rés	Tim/Tmp	Code
A-108	JUSTIN MCEACHERN	1	2	JOEL DEMAERE	0 - 10	0:22	IPO
A-117	JUSTIN MCEACHERN	1	3	ANTHONY HENRY	10 - 0	1:41	IPO
A-126	JOEL DEMAERE	2	3	ANTHONY HENRY	10 - 0	0:41	IPO

Results/Résultats

Pos	Name/Nom
1	JOEL DEMAERE, Lethbridge Kyodokan
2	JUSTIN MCEACHERN, Lethbridge Kyodokan
3	ANTHONY HENRY, Lethbridge Kyodokan

SMBB -66 kg

Competitors/Compétiteurs A

#	Name/Nom	Grade	Club	1	2	3	4	W/G	Pts	Pos
1	Tyler KOSTRON (65,00)	Brown	Avonhurst	XX				0	0	4
2	Stefane TRUONG (66,00)	Nidan	Kodokwai	10	XX	10		2	20	2
3	David WU (65,60)	Brown	Tokugawa	10		XX		1	10	3
4	Ty NAKANO (65,70)	Shodan	Hiro's	10	7	10	XX	3	27	1

Matches/Matches A

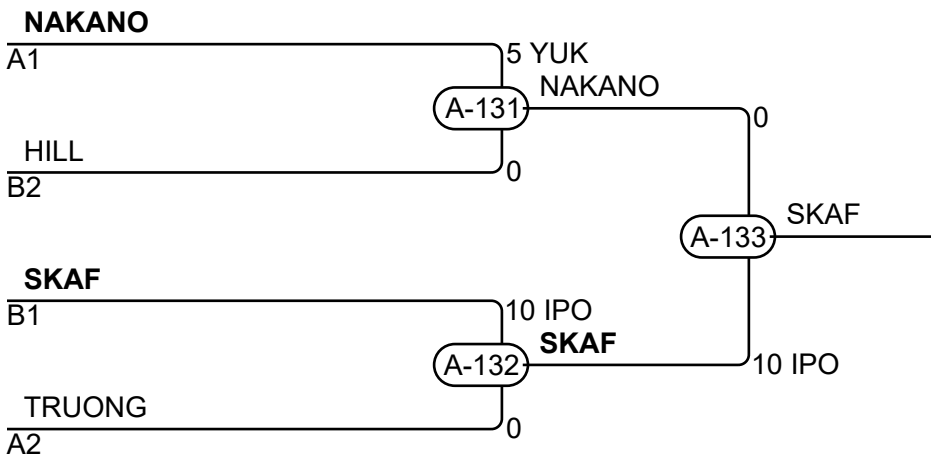
Match	White/Blanc	Blue/Bleu	Res/Rés	Tim/Tmp	Code
A-109	Tyler KOSTRON 1 2	Stefane TRUONG	0 - 10	0:29	WIP
A-109A	David WU 3 4	Ty NAKANO	0 - 10	3:58	IPO
A-118	Tyler KOSTRON 1 3	David WU	0 - 10	3:49	WIP
A-118A	Stefane TRUONG 2 4	Ty NAKANO	0 - 7	5:00	WAZ
A-127A	Tyler KOSTRON 1 4	Ty NAKANO	0 - 10	1:12	IPO
A-127	Stefane TRUONG 2 3	David WU	10 - 0	0:41	IPO

Competitors/Compétiteurs B

#	Name/Nom	Grade	Club	5	6	7	W/G	Pts	Pos
5	Aidan SKAF (65,40)	Shodan	Avonhurst	XX	7	10	2	17	1
6	CHRISTIAN HILL (66,00)	Brown	Lethbridge Kyodokan		XX	10	1	10	2
7	Amin MOAZENI (66,00)	Shodan	U of A			XX	0	0	3

Matches/Matches B

Match	White/Blanc	Blue/Bleu	Res/Rés	Tim/Tmp	Code
A-110	Aidan SKAF 5 6	CHRISTIAN HILL	7 - 0	5:00	WAZ
A-119	Aidan SKAF 5 7	Amin MOAZENI	10 - 0	0:00	IPO
A-128	CHRISTIAN HILL 6 7	Amin MOAZENI	10 - 0	0:00	IPO



Results/Résultats

Pos	Name/Nom
1	Aidan SKAF, Avonhurst
2	Ty NAKANO, Hiro's
3	CHRISTIAN HILL, Lethbridge Kyodokan
3	Stefane TRUONG, Kodokwai

SMBB -73 kg

Competitors/Compétiteurs

#	Name/Nom	Grade	Club	1	2	1	2	1	2	W/G	Pts	Pos
1	Jason WOO (71,80)	Brown	U of A	XX	10	XX		XX		1	10	2
2	MAX TEEUWEN (71,80)	Brown	Lethbridge Kyodokan		XX	10	XX	10	XX	2	20	1

Matches/Matches

Match	White/Blanc			Blue/Bleu	Res/Rés	Tim/Tmp	Code
A-111	Jason WOO	1	2	MAX TEEUWEN	10 - 0	2:16	IPO
A-120	Jason WOO	1	2	MAX TEEUWEN	0 - 10	2:03	IPO
A-129	Jason WOO	1	2	MAX TEEUWEN	0 - 10	0:00	IPO

Results/Résultats

Pos	Name/Nom
1	MAX TEEUWEN, Lethbridge Kyodokan
2	Jason WOO, U of A

SMYB -73 kg

Competitors/Compétiteurs

#	Name/Nom	Grade	Club	1	W/G	Pts	Pos
1	Garrett BROWN (70,70)	Blue	U of A	X	0	0	1

Matches/Matches

Match	White/Blanc	Blue/Bleu	Res/Rés	Tim/Tmp	Code
-------	-------------	-----------	---------	---------	------

Results/Résultats

Pos	Name/Nom
1	Garrett BROWN, U of A

VETM -73 kg

Competitors/Compétiteurs

#	Name/Nom	Grade	Club	1	2	1	2	1	2	W/G	Pts	Pos
1	TIM TAKAHASHI (64,70)	Nidan	Lethbridge Kyodokan	XX	10	XX	10	XX		2	20	1
2	Jason WOO (71,50)	Brown	U of A		XX		XX		XX	0	0	2

Matches/Matches

Match	White/Blanc			Blue/Bleu	Res/Rés	Tim/Tmp	Code
A-112	TIM TAKAHASHI	1	2	Jason WOO	10 - 0	2:03	WIP
A-121	TIM TAKAHASHI	1	2	Jason WOO	10 - 0	1:09	IPO
A-130	TIM TAKAHASHI	1	2	Jason WOO			

Results/Résultats

Pos	Name/Nom
1	TIM TAKAHASHI, Lethbridge Kyodokan
2	Jason WOO, U of A

SMBB -81 kg

Competitors/Compétiteurs

#	Name/Nom	Grade	Club	1	2	3	4	5	W/G	Pts	Pos
1	CHRIS DUBE (79,70)	Brown	St. Albert Tokai	XX				10	1	10	5
2	Stevie WILLIAMS (79,80)	Brown	Hiro's	10	XX	10			2	20	2
3	Stephen YOUNG (79,50)	Shodan	Medicine Hat	10		XX			1	10	4
4	CHRIS BAILEY (80,80)	Shodan	Lethbridge Kyodokan	10	10	10	XX	10	4	40	1
5	MAX GRANT (80,40)	Brown	Lethbridge Kyodokan		10	7		XX	2	17	3

Matches/Matches

Match	White/Blanc			Blue/Bleu	Res/Rés	Tim/Tmp	Code
A-100	CHRIS BAILEY	4	5	MAX GRANT	10 - 0	0:44	IPO
A-101	CHRIS DUBE	1	2	Stevie WILLIAMS	0 - 10	1:01	HAN
A-102	Stephen YOUNG	3	4	CHRIS BAILEY	0 - 10	0:56	WIP
A-103	CHRIS DUBE	1	5	MAX GRANT	10 - 0	2:38	IPO
A-106	Stevie WILLIAMS	2	3	Stephen YOUNG	10 - 0	1:58	IPO
A-107	CHRIS DUBE	1	4	CHRIS BAILEY	0 - 10	0:17	IPO
A-115	Stephen YOUNG	3	5	MAX GRANT	0 - 7	5:00	WAZ
A-116	Stevie WILLIAMS	2	4	CHRIS BAILEY	0 - 10	0:51	IPO
A-124	CHRIS DUBE	1	3	Stephen YOUNG	0 - 10	0:17	IPO
A-125	Stevie WILLIAMS	2	5	MAX GRANT	0 - 10	2:35	IPO

Results/Résultats

Pos	Name/Nom
1	CHRIS BAILEY, Lethbridge Kyodokan
2	Stevie WILLIAMS, Hiro's
3	MAX GRANT, Lethbridge Kyodokan
4	Stephen YOUNG, Medicine Hat
5	CHRIS DUBE, St. Albert Tokai

SMYB -81 kg

Competitors/Compétiteurs

#	Name/Nom	Grade	Club	1	2	1	2	1	2	W/G	Pts	Pos
1	Omar RIVASPLATA (80,40)	Blue	Kodokwai	XX	10	XX	10	XX		2	20	1
2	Surkhay MUSAYEV (80,00)	Yellow	Kodokwai		XX		XX		XX	0	0	2

Matches/Matches

Match	White/Blanc			Blue/Bleu	Res/Rés	Tim/Tmp	Code
B-119	Omar RIVASPLATA	1	2	Surkhay MUSAYEV	10 - 0	1:26	WIP
B-128	Omar RIVASPLATA	1	2	Surkhay MUSAYEV	10 - 0	1:34	WIP
B-137	Omar RIVASPLATA	1	2	Surkhay MUSAYEV			

Results/Résultats

Pos	Name/Nom
1	Omar RIVASPLATA, Kodokwai
2	Surkhay MUSAYEV, Kodokwai

SMBB -90 kg

Competitors/Compétiteurs

#	Name/Nom	Grade	Club	1	W/G	Pts	Pos
1	Rob KINGSTON (89,40)	Shodan	U of A	X	0	0	1

Matches/Matches

Match	White/Blanc	Blue/Bleu	Res/Rés	Tim/Tmp	Code
-------	-------------	-----------	---------	---------	------

Results/Résultats

Pos	Name/Nom
1	Rob KINGSTON, U of A

SMYB -90 kg

Competitors/Compétiteurs

#	Name/Nom	Grade	Club	1	2	3	4	5	W/G	Pts	Pos
1	Sean KOZICKI (88,00)	Green	Kodokwai	XX					0	0	5
2	JORDAN LANDRY (87,70)	Blue	St. Albert Tokai	10	XX	10	10	10	4	40	1
3	YANGWEI DAI (85,90)	Green	Red Deer	10		XX	10		2	20	3
4	Stephen MARSHALL (89,80)	Green	U of A	10			XX		1	10	4
5	Michael MURPHY (89,20)	Blue	U of A	10		10	10	XX	3	30	2

Matches/Matches

Match	White/Blanc			Blue/Bleu	Res/Rés	Tim/Tmp	Code
B-107	Stephen MARSHALL	4	5	Michael MURPHY	0 - 10	0:21	IPO
B-108	Sean KOZICKI	1	2	JORDAN LANDRY	0 - 10	0:33	IPO
B-109	YANGWEI DAI	3	4	Stephen MARSHALL	10 - 0	0:28	WIP
B-110	Sean KOZICKI	1	5	Michael MURPHY	0 - 10	0:44	IPO
B-114	JORDAN LANDRY	2	3	YANGWEI DAI	10 - 0	1:45	IPO
B-115	Sean KOZICKI	1	4	Stephen MARSHALL	0 - 10	1:09	IPO
B-123	YANGWEI DAI	3	5	Michael MURPHY	0 - 10	0:47	IPO
B-124	JORDAN LANDRY	2	4	Stephen MARSHALL	10 - 0	0:55	IPO
B-132	Sean KOZICKI	1	3	YANGWEI DAI	0 - 10	0:55	IPO
B-133	JORDAN LANDRY	2	5	Michael MURPHY	10 - 0	1:24	IPO

Results/Résultats

Pos	Name/Nom
1	JORDAN LANDRY, St. Albert Tokai
2	Michael MURPHY, U of A
3	YANGWEI DAI, Red Deer
4	Stephen MARSHALL, U of A
5	Sean KOZICKI, Kodokwai

VETM -90 kg

Competitors/Compétiteurs

#	Name/Nom	Grade	Club	1	2	3	4	5	W/G	Pts	Pos
1	Omar RIVASPLATA (80,40)	Blue	Kodokwai	XX	10	10		10	3	30	2
2	YANGWEI DAI (85,90)	Green	Red Deer		XX			10	1	10	4
3	Rob KINGSTON (89,40)	Shodan	U of A		10	XX		10	2	20	3
4	Jason JOHNSTON (79,00)	Shodan	Kodokwai	10	10	10	XX	10	4	40	1
5	Sean KOZICKI (88,00)	Green	Kodokwai					XX	0	0	5

Matches/Matches

Match	White/Blanc			Blue/Bleu	Res/Rés	Tim/Tmp	Code
B-70	Jason JOHNSTON	4	5	Sean KOZICKI	10 - 0	1:27	IPO
B-71	Omar RIVASPLATA	1	2	YANGWEI DAI	10 - 0	1:23	IPO
B-72	Rob KINGSTON	3	4	Jason JOHNSTON	0 - 10	1:22	IPO
B-73	Omar RIVASPLATA	1	5	Sean KOZICKI	10 - 0	0:23	IPO
B-76	YANGWEI DAI	2	3	Rob KINGSTON	0 - 10	0:53	WIP
B-77	Omar RIVASPLATA	1	4	Jason JOHNSTON	0 - 10	1:21	IPO
B-86	Rob KINGSTON	3	5	Sean KOZICKI	10 - 0	1:26	IPO
B-87	YANGWEI DAI	2	4	Jason JOHNSTON	0 - 10	1:23	IPO
B-96	Omar RIVASPLATA	1	3	Rob KINGSTON	10 - 0	1:56	IPO
B-97	YANGWEI DAI	2	5	Sean KOZICKI	10 - 0	2:01	IPO

Results/Résultats

Pos	Name/Nom
1	Jason JOHNSTON, Kodokwai
2	Omar RIVASPLATA, Kodokwai
3	Rob KINGSTON, U of A
4	YANGWEI DAI, Red Deer
5	Sean KOZICKI, Kodokwai

VETM +90 kg

Competitors/Compétiteurs

#	Name/Nom	Grade	Club	1	2	3	4	W/G	Pts	Pos
1	Mark PIVOVAR (111,20)	Nidan	Rodrigo Resende	XX	10		10	2	20	2
2	Chrenan BORRADAILE (100,00)	Shodan	Rodrigo Resende		XX			0	0	4
3	Vasfi ALIYEV (140,00)	Shodan	Kodokwai	7	10	XX	10	3	27	1
4	COLIN KUNZLI (132,50)	Shodan	Lethbridge Kyodokan		10		XX	1	10	3

Matches/Matches

Match	White/Blanc			Blue/Bleu	Res/Rés	Tim/Tmp	Code
A-104	Mark PIVOVAR	1	2	Chrenan BORRADAILE	10 - 0	0:54	IPO
A-105	Vasfi ALIYEV	3	4	COLIN KUNZLI	10 - 0	0:31	IPO
A-113	Mark PIVOVAR	1	3	Vasfi ALIYEV	0 - 7	3:00	WAZ
A-114	Chrenan BORRADAILE	2	4	COLIN KUNZLI	0 - 10	2:33	HAN
A-122	Mark PIVOVAR	1	4	COLIN KUNZLI	10 - 0	1:58	IPO
A-123	Chrenan BORRADAILE	2	3	Vasfi ALIYEV	0 - 10	1:55	IPO

Results/Résultats

Pos	Name/Nom
1	Vasfi ALIYEV, Kodokwai
2	Mark PIVOVAR, Rodrigo Resende
3	COLIN KUNZLI, Lethbridge Kyodokan
4	Chrenan BORRADAILE, Rodrigo Resende