

Senior F48

Competitors/Compétiteurs

#	Name/Nom	Grade	Club	1	2	3	4	5	W/G	Pts	Pos
1	SHEFFIELD Lea	Nidan	ON	XX				1	1	1	5
2	MORGAN Erin	Nidan	AB	10	XX			10	2	20	3
3	BELLALI Yumi Amal	Shodan	QC	10	10	XX		10	3	30	1
4	NEMETH VIRGINIA	Shodan	AB	7	7	10	XX		3	24	2
5	KAEGI Lorena	Shodan	MB				5	XX	1	5	4

Matches/Matches

Match	White/Blanc	Blue/Bleu	Res/Rés	Tim/Tmp	Code
A-3	NEMETH VIRGINIA 4 5	KAEGI Lorena	0 - 5	4:00	YUK
A-4	SHEFFIELD Lea 1 2	MORGAN Erin	0 - 10	0:26	IPO
A-13	BELLALI Yumi Amal 3 4	NEMETH VIRGINIA	0 - 10	2:23	HAN
A-14	SHEFFIELD Lea 1 5	KAEGI Lorena	1 - 0	4:00	YUS
A-23	MORGAN Erin 2 3	BELLALI Yumi Amal	0 - 10	2:27	IPO
A-24	SHEFFIELD Lea 1 4	NEMETH VIRGINIA	0 - 7	0:42	GSW
A-35	BELLALI Yumi Amal 3 5	KAEGI Lorena	10 - 0	2:25	IPO
A-36	MORGAN Erin 2 4	NEMETH VIRGINIA	0 - 7	4:00	WAZ
A-47	SHEFFIELD Lea 1 3	BELLALI Yumi Amal	0 - 10	0:39	IPO
A-48	MORGAN Erin 2 5	KAEGI Lorena	10 - 0	0:00	FUS

Results/Résultats

Pos	Name/Nom
1	BELLALI Yumi Amal, QC
2	NEMETH VIRGINIA, AB
3	MORGAN Erin, AB
4	KAEGI Lorena, MB
5	SHEFFIELD Lea, ON

Senior F52

Competitors/Compétiteurs

#	Name/Nom	Grade	Club	1	2	3	4	W/G	Pts	Pos
1	MELKO Vanda	1 Kyu	QC	XX		5	10	2	15	2
2	BESSION Marie	Shodan	QC	10	XX	7	10	3	27	1
3	KOLIASKA TAEYA	Shodan	AB			XX	7	1	7	3
4	THIFFAULT Laurence	Shodan	QC				XX	0	0	4

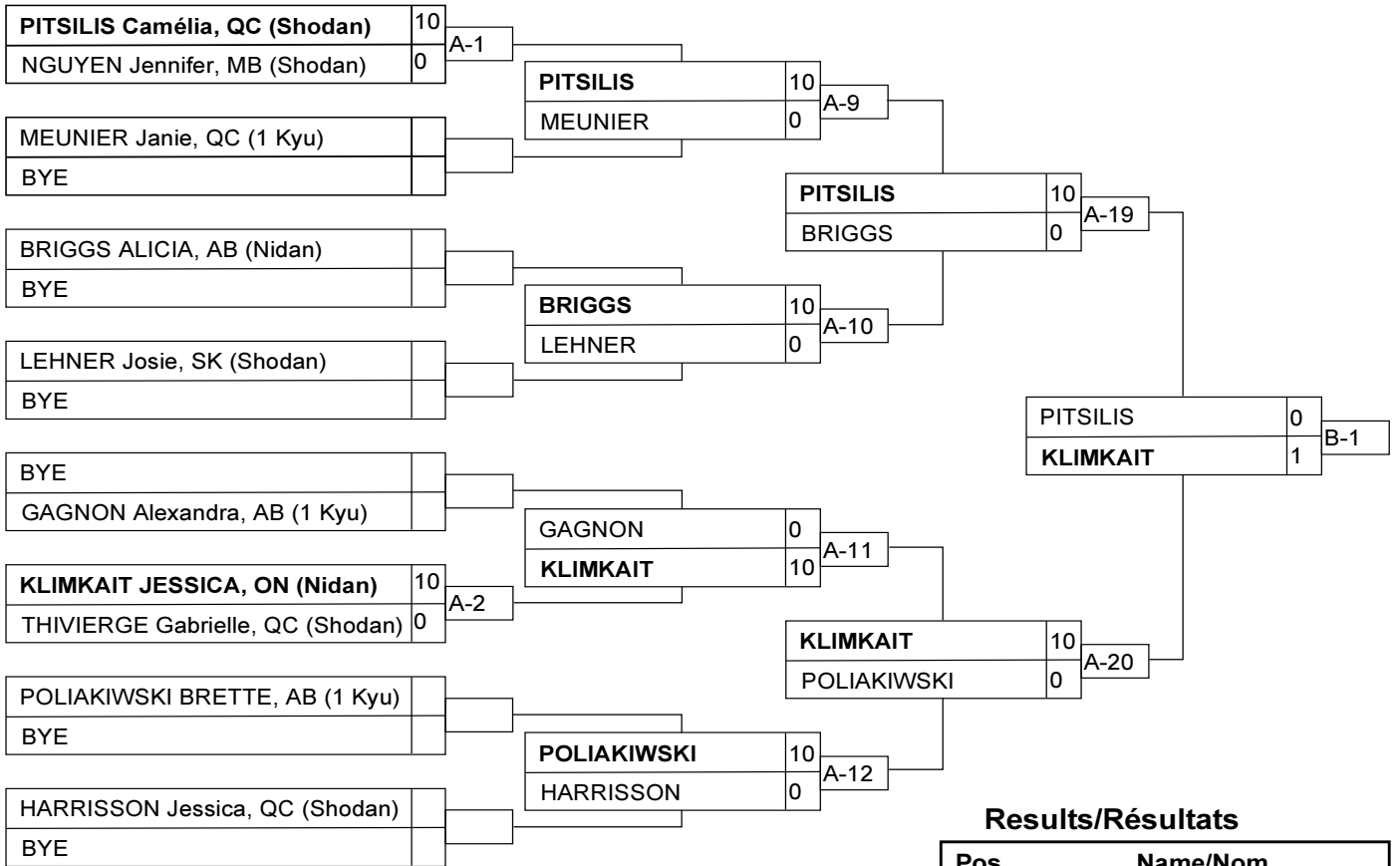
Matches/Matches

Match	White/Blanc	Blue/Bleu	Res/Rés	Tim/Tmp	Code
A-29	MELKO Vanda	1 2 BESSION Marie	0 - 10	1:06	WIP
A-30	KOLIASKA TAEYA	3 4 THIFFAULT Laurence	7 - 0	4:00	WAZ
A-41	MELKO Vanda	1 3 KOLIASKA TAEYA	5 - 0	4:00	YUK
A-42	BESSION Marie	2 4 THIFFAULT Laurence	10 - 0	1:03	IPO
A-51	MELKO Vanda	1 4 THIFFAULT Laurence	10 - 0	0:00	FUS
A-52	BESSION Marie	2 3 KOLIASKA TAEYA	7 - 0	4:00	WAZ

Results/Résultats

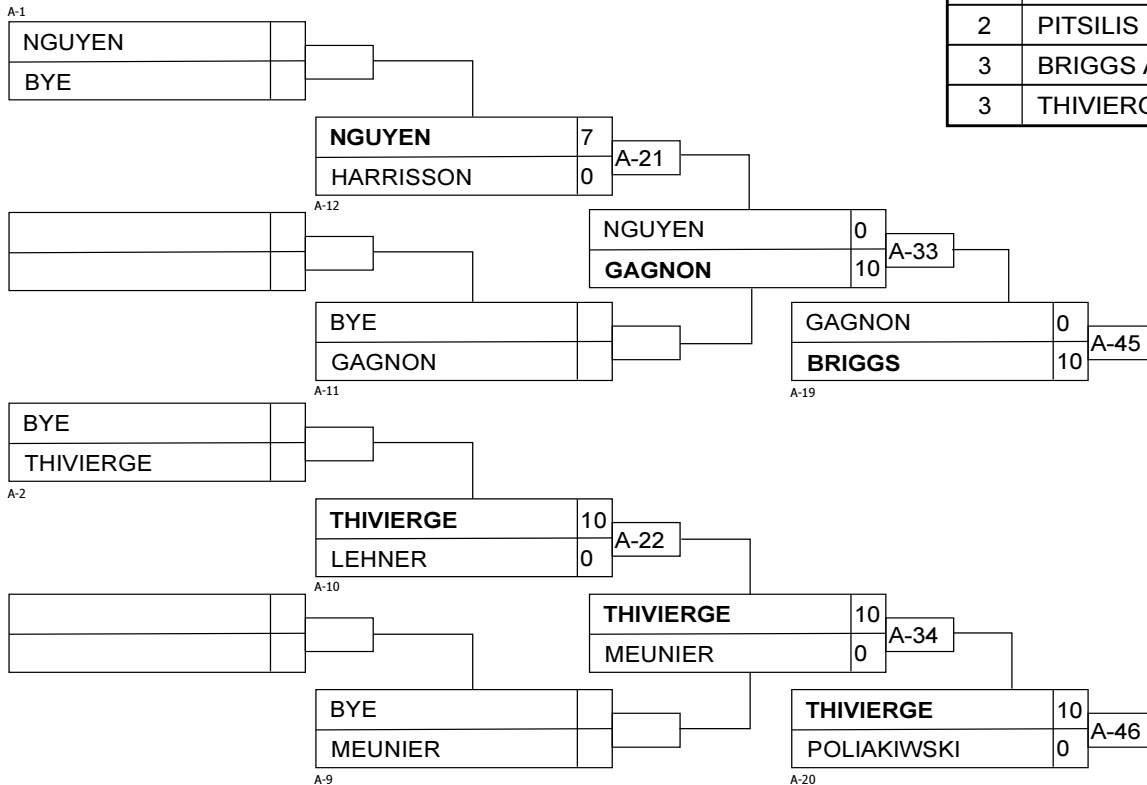
Pos	Name/Nom
1	BESSION Marie, QC
2	MELKO Vanda, QC
3	KOLIASKA TAEYA, AB
4	THIFFAULT Laurence, QC

Senior F57



Results/Résultats

Pos	Name/Nom
1	KLIMKAIT JESSICA, ON (Nidan)
2	PITSILIS Camélia, QC (Shodan)
3	BRIGGS ALICIA, AB (Nidan)
3	THIVIERGE Gabrielle, QC (Shodan)



Senior F63

Competitors/Compétiteurs A

#	Name/Nom	Grade	Club	1	2	3	W/G	Pts	Pos
1	FIANDOR Alicia	Shodan	BC	XX			0	0	3
2	SIMAO Jaquina	Shodan	QC	10	XX	1	2	11	1
3	LANDRY Jennifer	Nidan	NB	7		XX	1	7	2

Matches/Matchs A

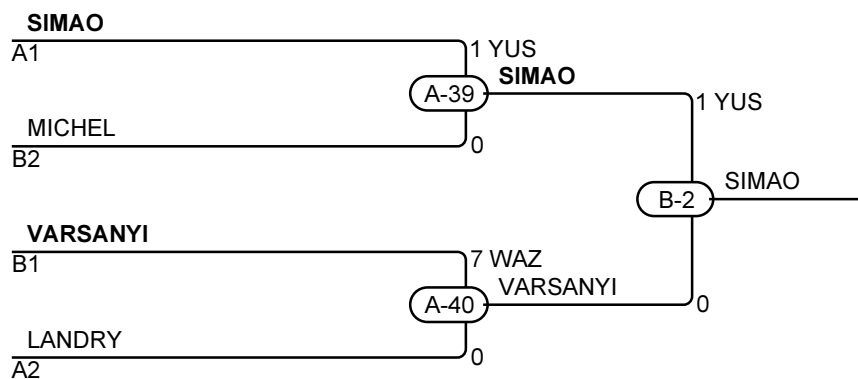
Match	White/Blanc	Blue/Bleu	Res/Rés	Tim/Tmp	Code
A-7	FIANDOR Alicia	1 2 SIMAO Jaquina	0 - 10	2:42	WIP
A-17	FIANDOR Alicia	1 3 LANDRY Jennifer	0 - 7	4:00	WAZ
A-27	SIMAO Jaquina	2 3 LANDRY Jennifer	1 - 0	4:00	YUS

Competitors/Compétiteurs B

#	Name/Nom	Grade	Club	4	5	6	W/G	Pts	Pos
4	MICHEL Janika	1 Kyu	QC	XX		10	1	10	2
5	VARSAANYI HANA	Shodan	AB	10	XX	10	2	20	1
6	KAEGI Alisha	Shodan	MB			XX	0	0	3

Matches/Matchs B

Match	White/Blanc	Blue/Bleu	Res/Rés	Tim/Tmp	Code
A-8	MICHEL Janika	4 5 VARSAANYI HANA	0 - 10	0:00	IPO
A-18	MICHEL Janika	4 6 KAEGI Alisha	10 - 0	1:12	IPO
A-28	VARSAANYI HANA	5 6 KAEGI Alisha	10 - 0	0:19	IPO



Results/Résultats

Pos	Name/Nom
1	SIMAO Jaquina, QC
2	VARSAANYI HANA, AB
3	MICHEL Janika, QC
3	LANDRY Jennifer, NB

Senior F70

Competitors/Compétiteurs

#	Name/Nom	Grade	Club	1	2	3	4	5	W/G	Pts	Pos
1	POIRIER Audrey	Shodan	QC	XX					0	0	5
2	RENAUD-ROY ALIX	Nidan	QC	10	XX	10	10		3	30	2
3	PORTUONDO-ISASI Adriana	Shodan	QC	10		XX	10		2	20	3
4	JAMIESON Meghan	Nidan	BC	10			XX		1	10	4
5	BURGESS Monika	Shodan	QC	10	10	10	10	XX	4	40	1

Matches/Matches

Match	White/Blanc			Blue/Bleu	Res/Rés	Tim/Tmp	Code
A-5	JAMIESON Meghan	4	5	BURGESS Monika	0 - 10	0:00	WIP
A-6	POIRIER Audrey	1	2	RENAUD-ROY ALIX	0 - 10	0:00	WIP
A-15	PORTUONDO-ISASI Adriana	3	4	JAMIESON Meghan	10 - 0	1:43	IPO
A-16	POIRIER Audrey	1	5	BURGESS Monika	0 - 10	0:28	IPO
A-25	RENAUD-ROY ALIX	2	3	PORTUONDO-ISASI Adriana	10 - 0	2:41	IPO
A-26	POIRIER Audrey	1	4	JAMIESON Meghan	0 - 10	0:00	FUS
A-37	PORTUONDO-ISASI Adriana	3	5	BURGESS Monika	0 - 10	2:10	WIP
A-38	RENAUD-ROY ALIX	2	4	JAMIESON Meghan	10 - 0	0:40	IPO
A-49	POIRIER Audrey	1	3	PORTUONDO-ISASI Adriana	0 - 10	0:00	FUS
A-50	RENAUD-ROY ALIX	2	5	BURGESS Monika	0 - 10	2:17	IPO

Results/Résultats

Pos	Name/Nom
1	BURGESS Monika, QC
2	RENAUD-ROY ALIX, QC
3	PORTUONDO-ISASI Adriana, QC
4	JAMIESON Meghan, BC
5	POIRIER Audrey, QC

Senior F78

Competitors/Compétiteurs

#	Name/Nom	Grade	Club	1	2	3	W/G	Pts	Pos
1	CHENHALL Martine	Nidan	NB	XX		10	1	10	2
2	COULOMBE Mina	Shodan	QC	10	XX	7	2	17	1
3	HANKS Megan	Shodan	BC			XX	0	0	3

Matches/Matches

Match	White/Blanc			Blue/Bleu	Res/Rés	Tim/Tmp	Code
A-31	CHENHALL Martine	1	2	COULOMBE Mina	0 - 10	3:44	WIP
A-43	CHENHALL Martine	1	3	HANKS Megan	10 - 0	3:37	WIP
A-53	COULOMBE Mina	2	3	HANKS Megan	7 - 0	4:00	WAZ

Results/Résultats

Pos	Name/Nom
1	COULOMBE Mina, QC
2	CHENHALL Martine, NB
3	HANKS Megan, BC

Senior F78+

Competitors/Compétiteurs

#	Name/Nom	Grade	Club	1	2	3	W/G	Pts	Pos
1	MORGENROTH Josephine	1 Kyu	BC	XX	10		1	10	2
2	MALLETTE Roxanne	2 Kyu	QC		XX		0	0	3
3	PERKS SARAH	1 Kyu	AB	7	10	XX	2	17	1

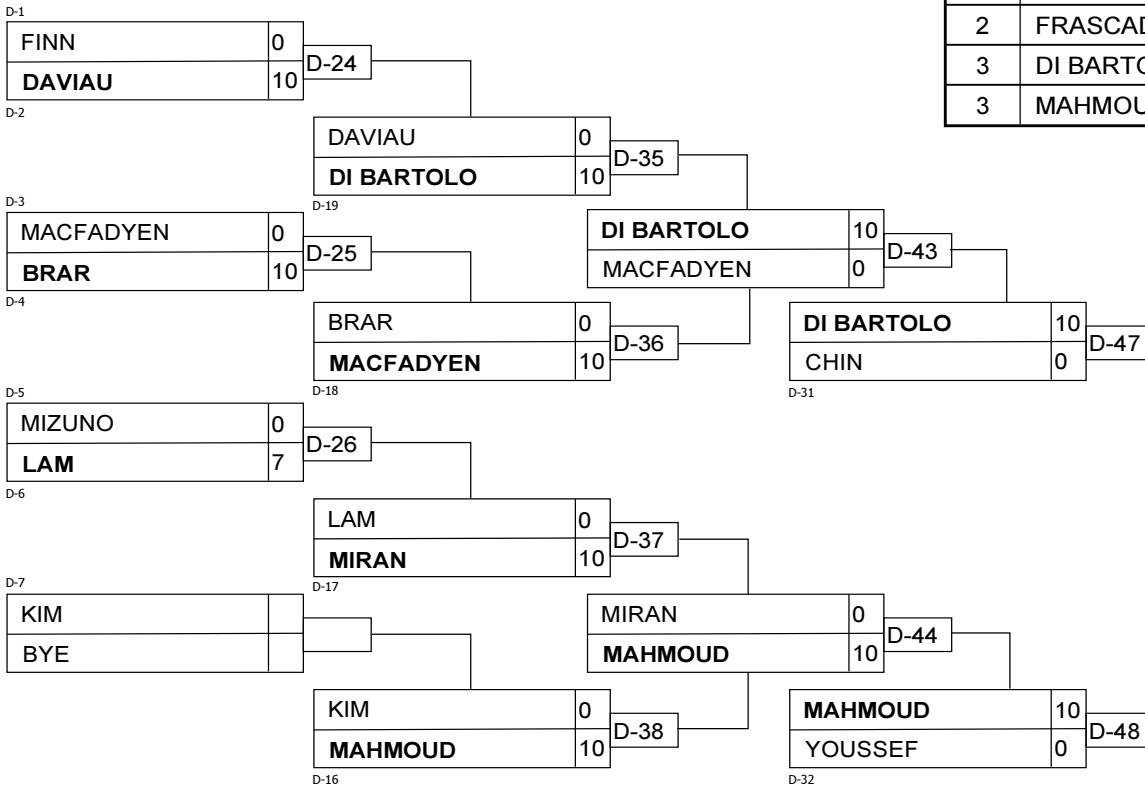
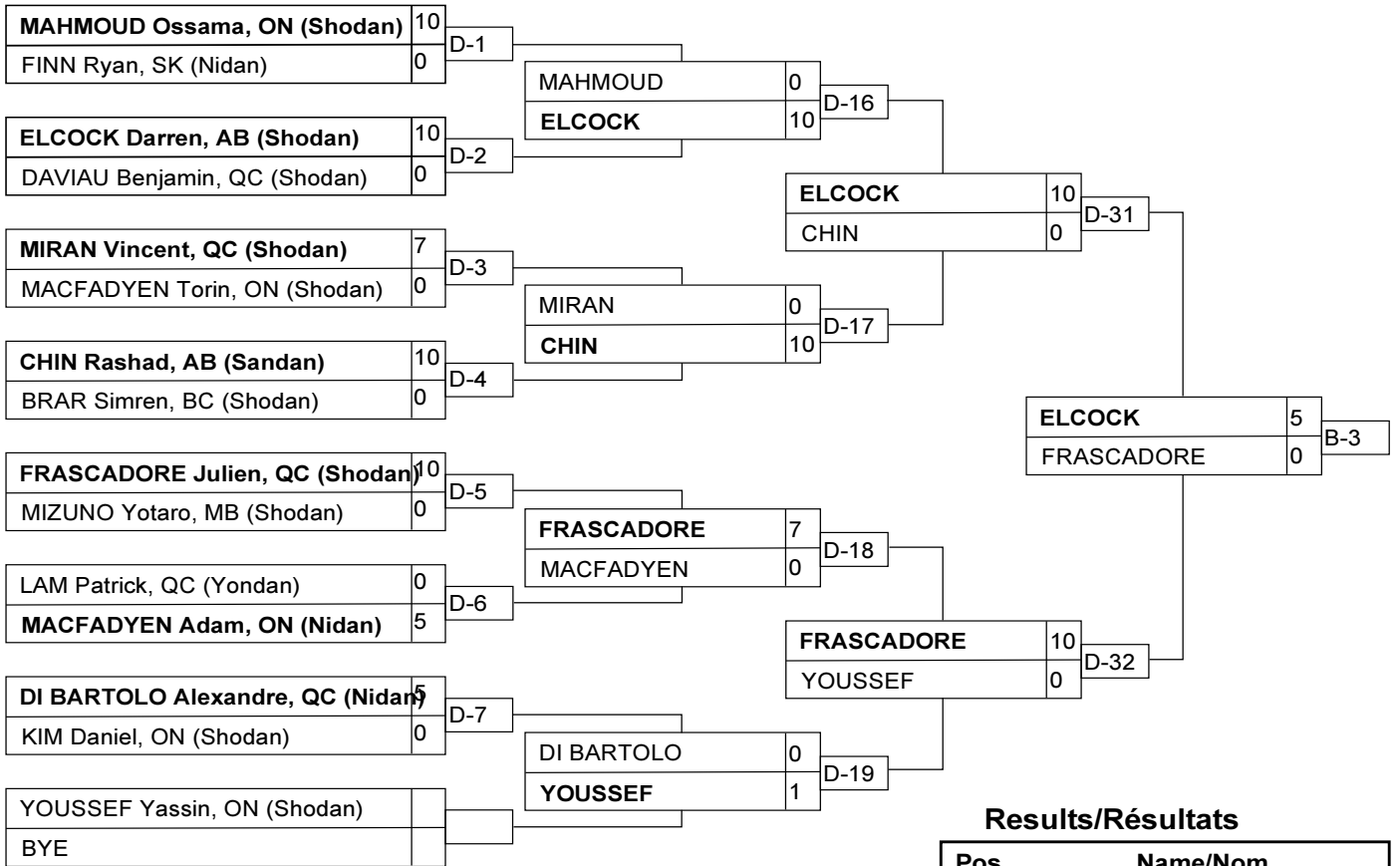
Matches/Matches

Match	White/Blanc			Blue/Bleu	Res/Rés	Tim/Tmp	Code
A-32	MORGENROTH Josephine	1	2	MALLETTE Roxanne	10 - 0	2:23	WIP
A-44	MORGENROTH Josephine	1	3	PERKS SARAH	0 - 7	4:00	WAZ
A-54	MALLETTE Roxanne	2	3	PERKS SARAH	0 - 10	0:53	WIP

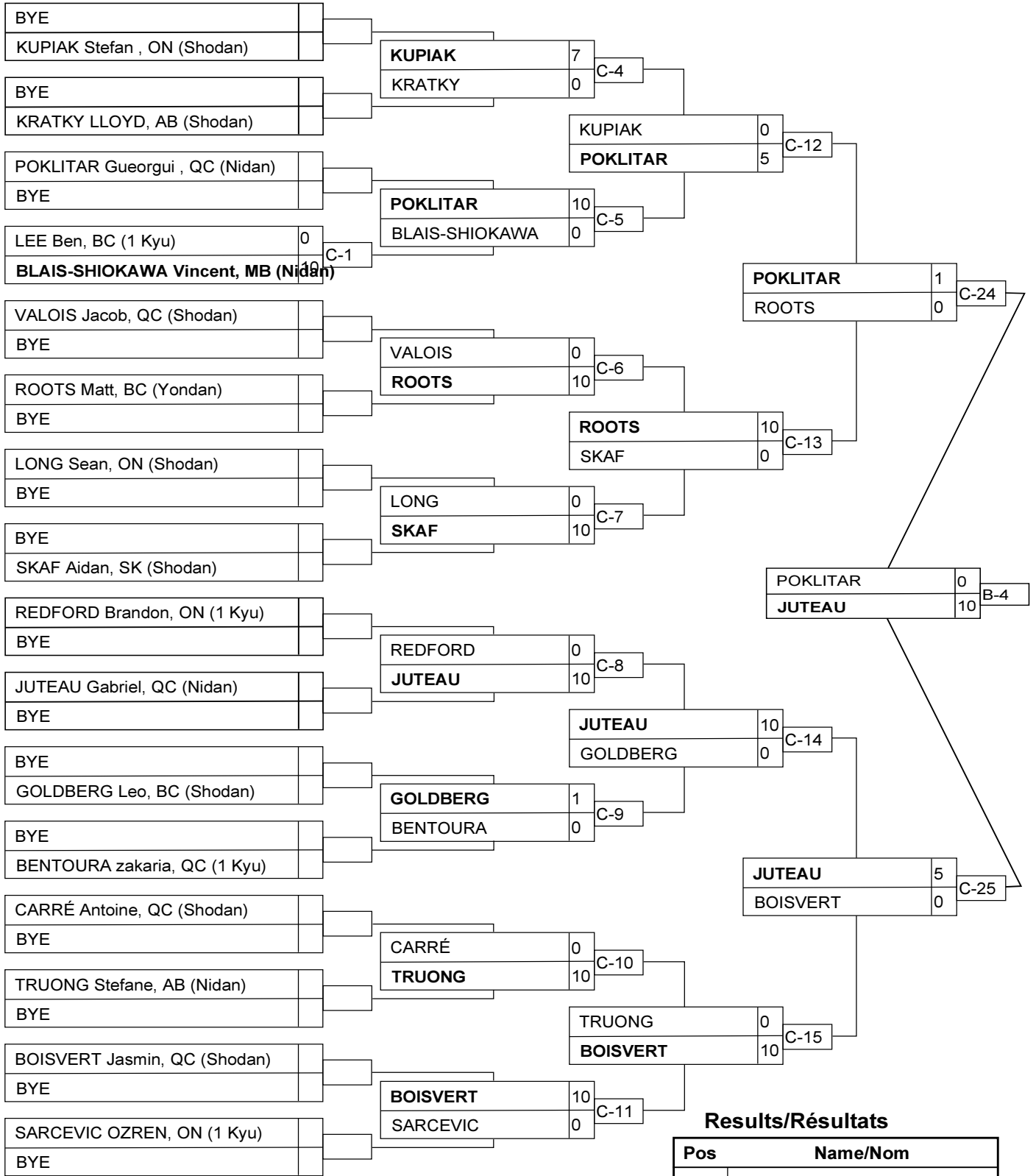
Results/Résultats

Pos	Name/Nom
1	PERKS SARAH, AB
2	MORGENROTH Josephine, BC
3	MALLETTE Roxanne, QC

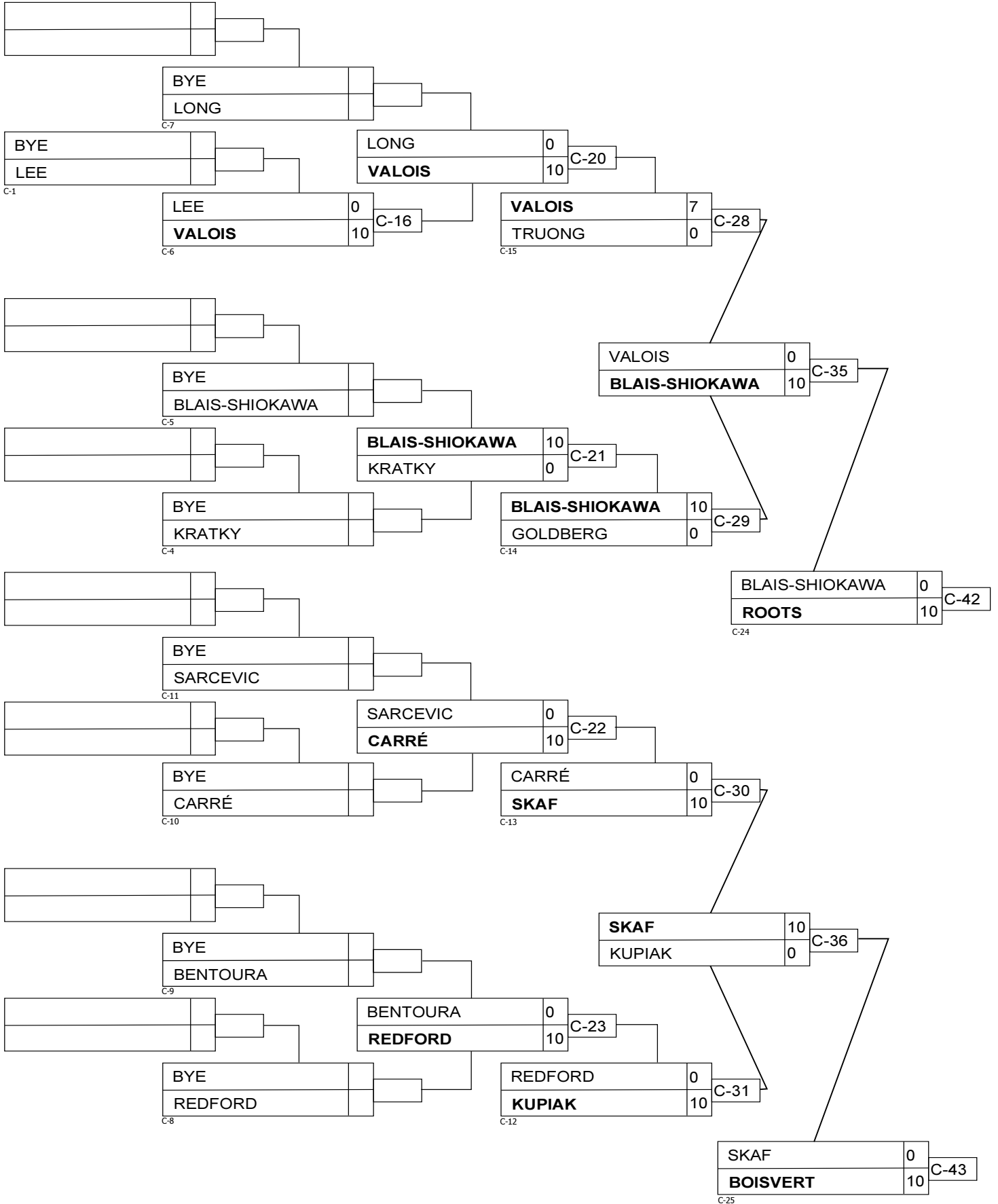
Senior M60



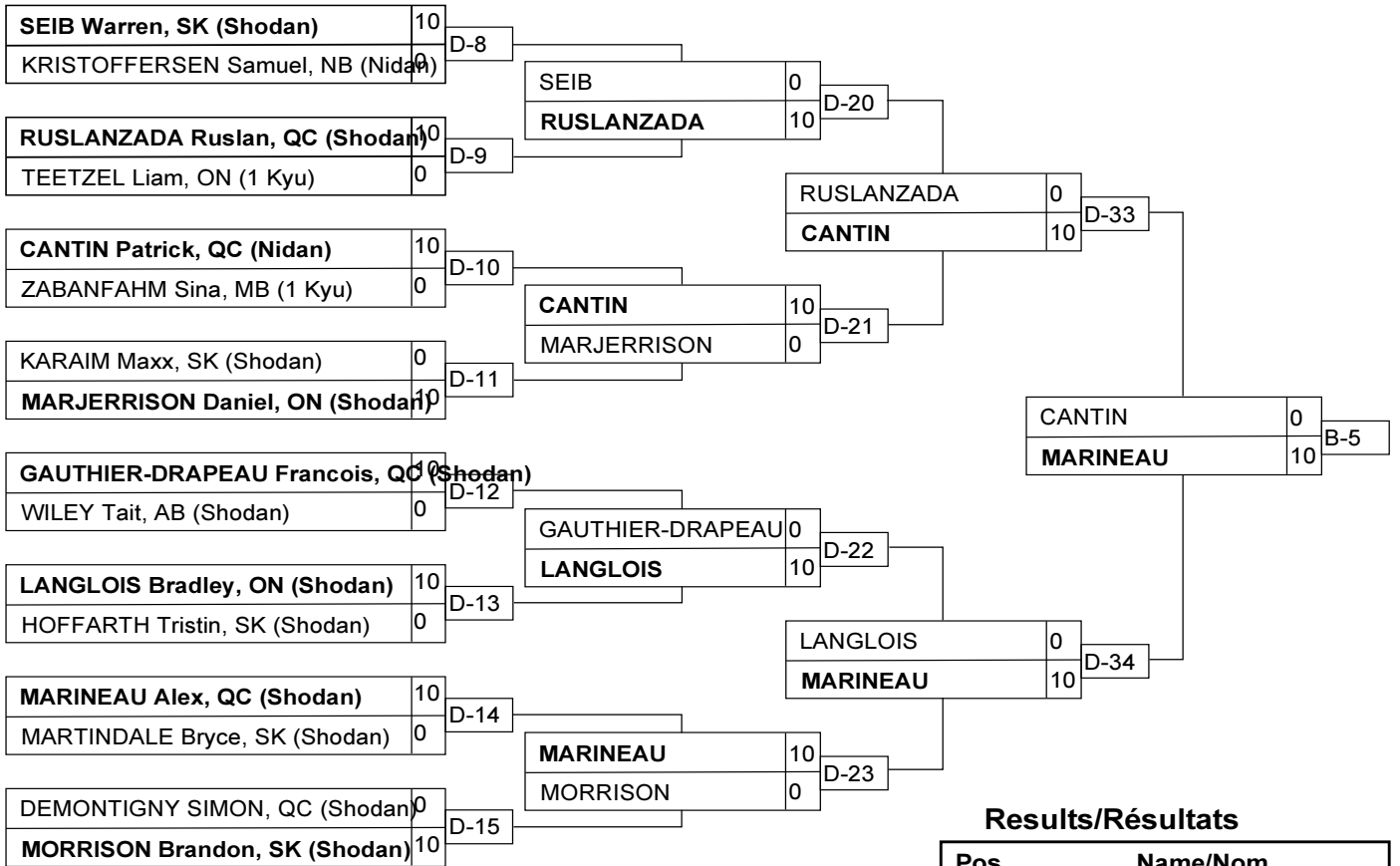
Senior M66



Senior M66

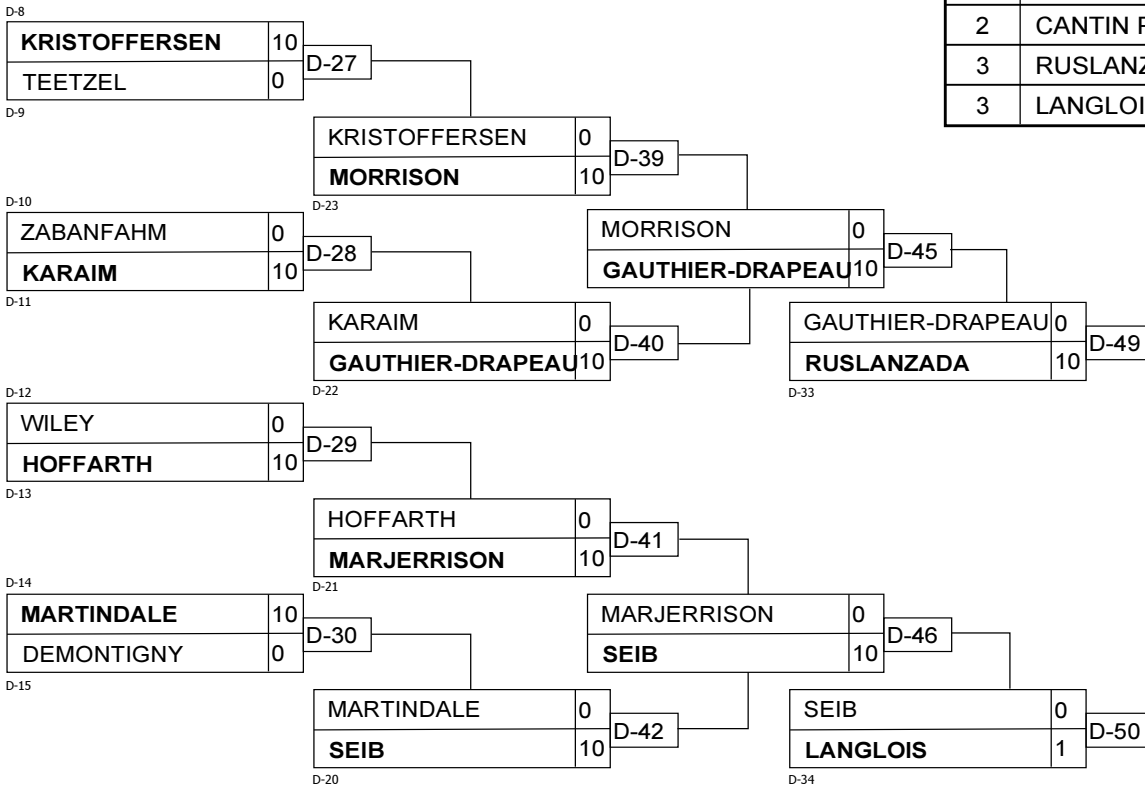


Senior M73

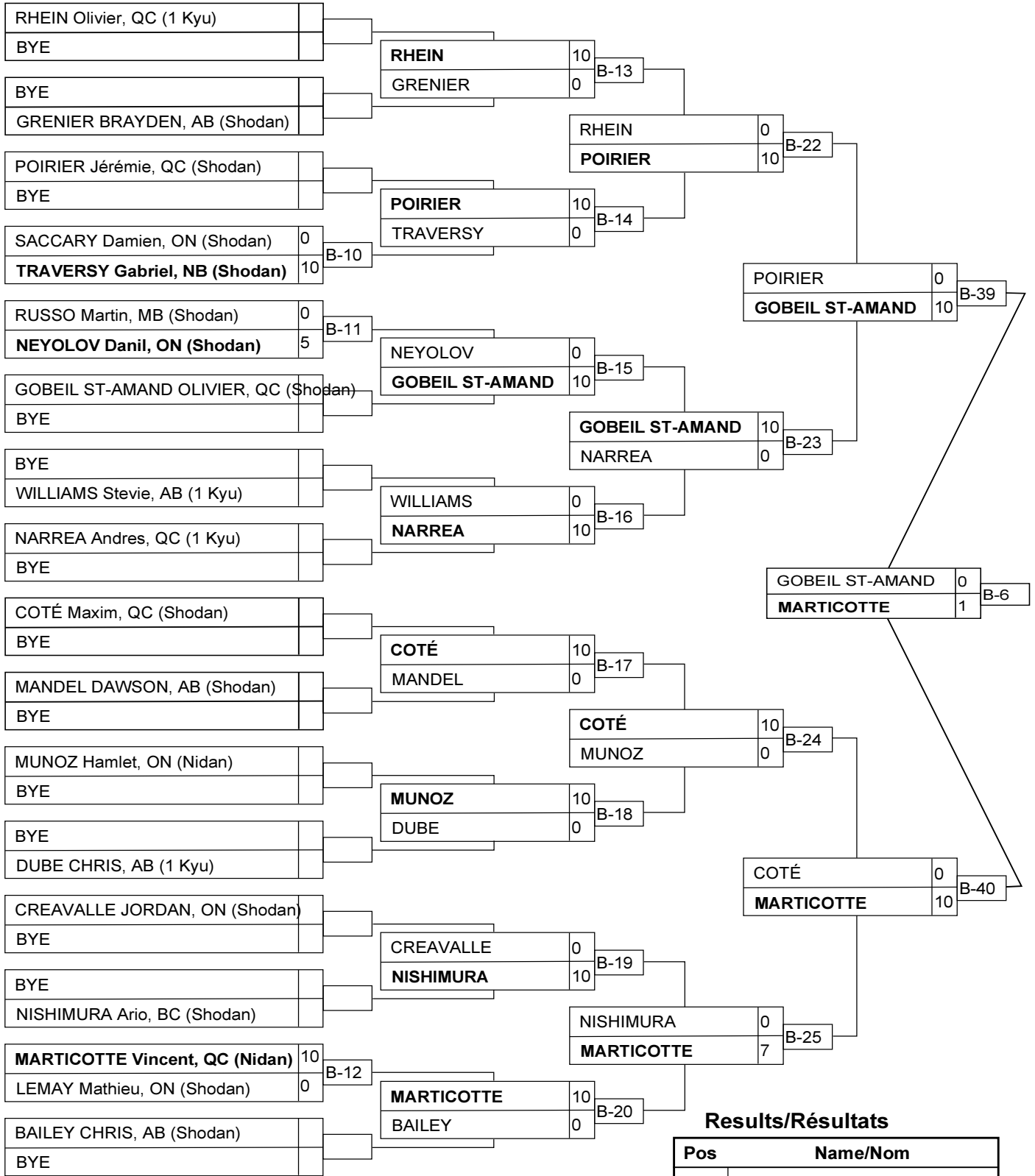


Results/Résultats

Pos	Name/Nom
1	MARINEAU Alex, QC (Shodan)
2	CANTIN Patrick, QC (Nidan)
3	RUSLANZADA Ruslan, QC (Shodan)
3	LANGLOIS Bradley, ON (Shodan)



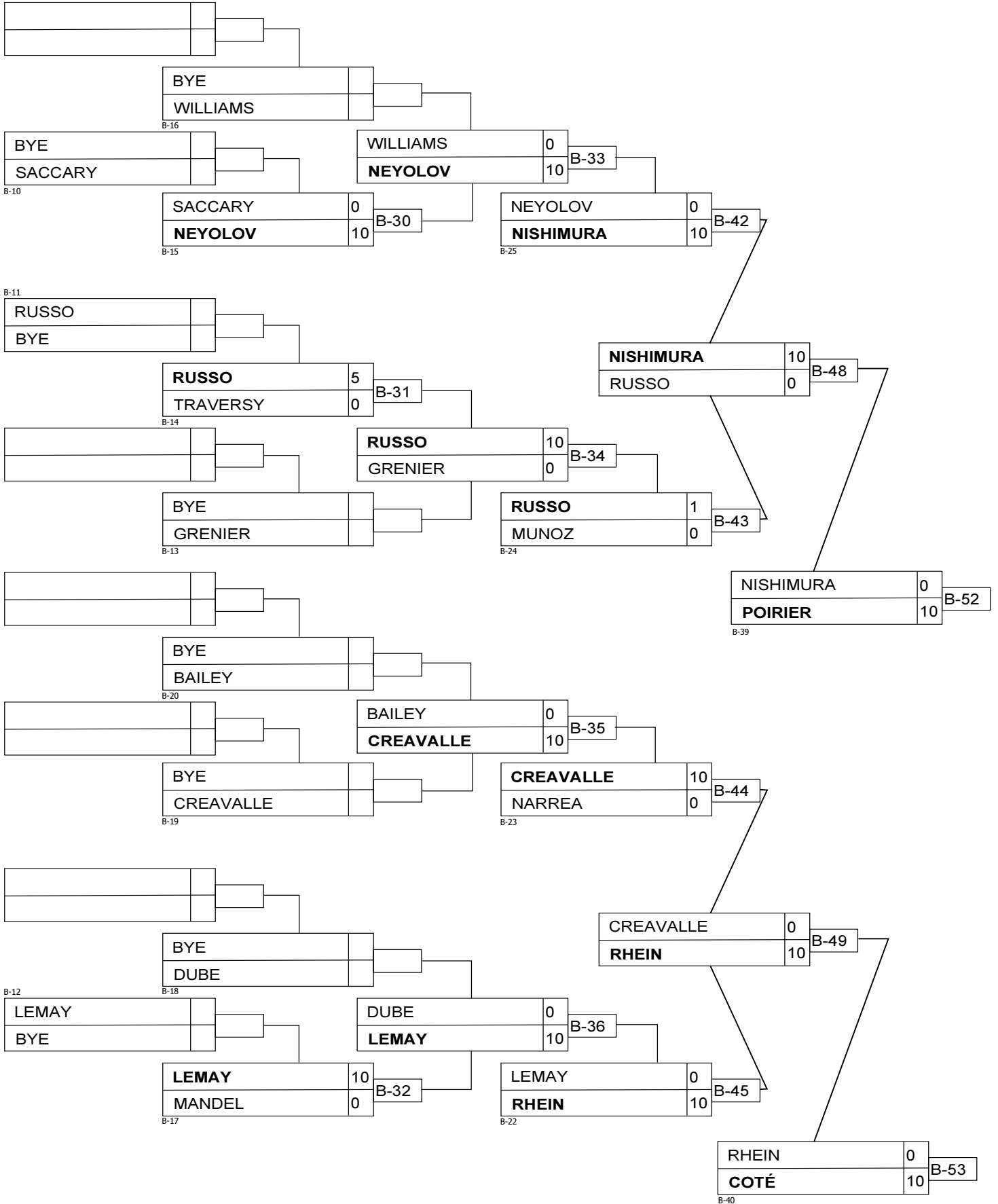
Senior M81



Results/Résultats

Pos	Name/Nom
1	MARTICOTTE Vincent, QC (Nidan)
2	GOBEIL ST-AMAND OLIVIER, QC (Shodan)
3	POIRIER Jérémie, QC (Shodan)
3	COTÉ Maxim, QC (Shodan)

Senior M81



Senior M90

Competitors/Compétiteurs A

#	Name/Nom	Grade	Club	1	2	3	W/G	Pts	Pos
1	BADAT Thomas	1 Kyu	QC	XX			0	0	3
2	EL NAHAS Mohab	Shodan	ON	5	XX	10	2	15	1
3	BERIDZE Mikhail	1 Kyu	AB	10		XX	1	10	2

Matches/Matches A

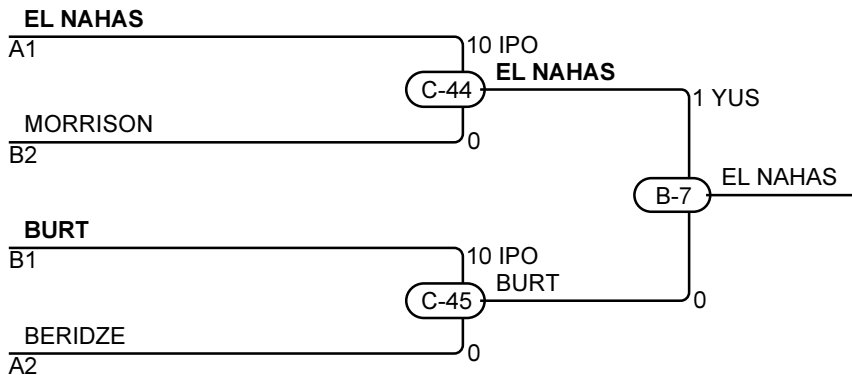
Match	White/Blanc	Blue/Bleu	Res/Rés	Tim/Tmp	Code
C-2	BADAT Thomas	1 2 EL NAHAS Mohab	0 - 5	5:00	YUK
C-26	BADAT Thomas	1 3 BERIDZE Mikhail	0 - 10	2:19	WIP
C-37	EL NAHAS Mohab	2 3 BERIDZE Mikhail	10 - 0	1:55	IPO

Competitors/Compétiteurs B

#	Name/Nom	Grade	Club	4	5	6	W/G	Pts	Pos
4	MORRISON Sean	Nidan	SK	XX	1		1	1	2
5	COLPITTS Alex	Shodan	NB		XX		0	0	3
6	BURT Zachary	Sandan	QC	10	10	XX	2	20	1

Matches/Matches B

Match	White/Blanc	Blue/Bleu	Res/Rés	Tim/Tmp	Code
C-3	MORRISON Sean	4 5 COLPITTS Alex	1 - 0	5:00	YUS
C-27	MORRISON Sean	4 6 BURT Zachary	0 - 10	3:19	IPO
C-38	COLPITTS Alex	5 6 BURT Zachary	0 - 10	1:29	IPO



Results/Résultats

Pos	Name/Nom
1	EL NAHAS Mohab, ON
2	BURT Zachary, QC
3	MORRISON Sean, SK
3	BERIDZE Mikhail, AB

Senior M100

Competitors/Compétiteurs A

#	Name/Nom	Grade	Club	1	2	3	4	W/G	Pts	Pos
1	BREAU Simon	Shodan	AB	XX			10	1	10	3
2	DESCHÊNES Marc	Shodan	QC	10	XX	10	10	3	30	1
3	JAMIESON Tavis	Nidan	BC	1		XX	10	2	11	2
4	CARMAN Billy-Jim	1 Kyu	ON				XX	0	0	4

Matches/Matchs A

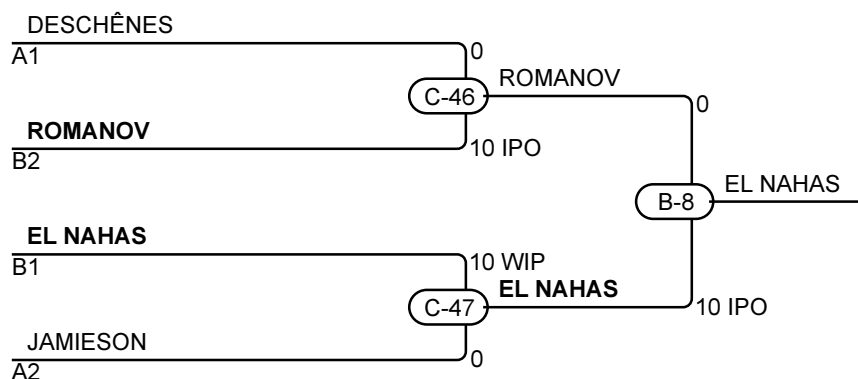
Match	White/Blanc	Blue/Bleu	Res/Rés	Tim/Tmp	Code
C-17	BREAU Simon 1 2	DESCHÊNES Marc	0 - 10	1:03	WIP
C-18	JAMIESON Tavis 3 4	CARMAN Billy-Jim	10 - 0	0:20	IPO
C-32	BREAU Simon 1 3	JAMIESON Tavis	0 - 1	5:00	YUS
C-33	DESCHÊNES Marc 2 4	CARMAN Billy-Jim	10 - 0	0:13	IPO
C-39	BREAU Simon 1 4	CARMAN Billy-Jim	10 - 0	2:52	WIP
C-40	DESCHÊNES Marc 2 3	JAMIESON Tavis	10 - 0	0:45	WIP

Competitors/Compétiteurs B

#	Name/Nom	Grade	Club	5	6	7	W/G	Pts	Pos
5	THOMPSON Brent	Nidan	MB	XX			0	0	3
6	ROMANOV Andriy	Shodan	BC	10	XX		1	10	2
7	EL NAHAS Shady	1 Kyu	ON	10	10	XX	2	20	1

Matches/Matchs B

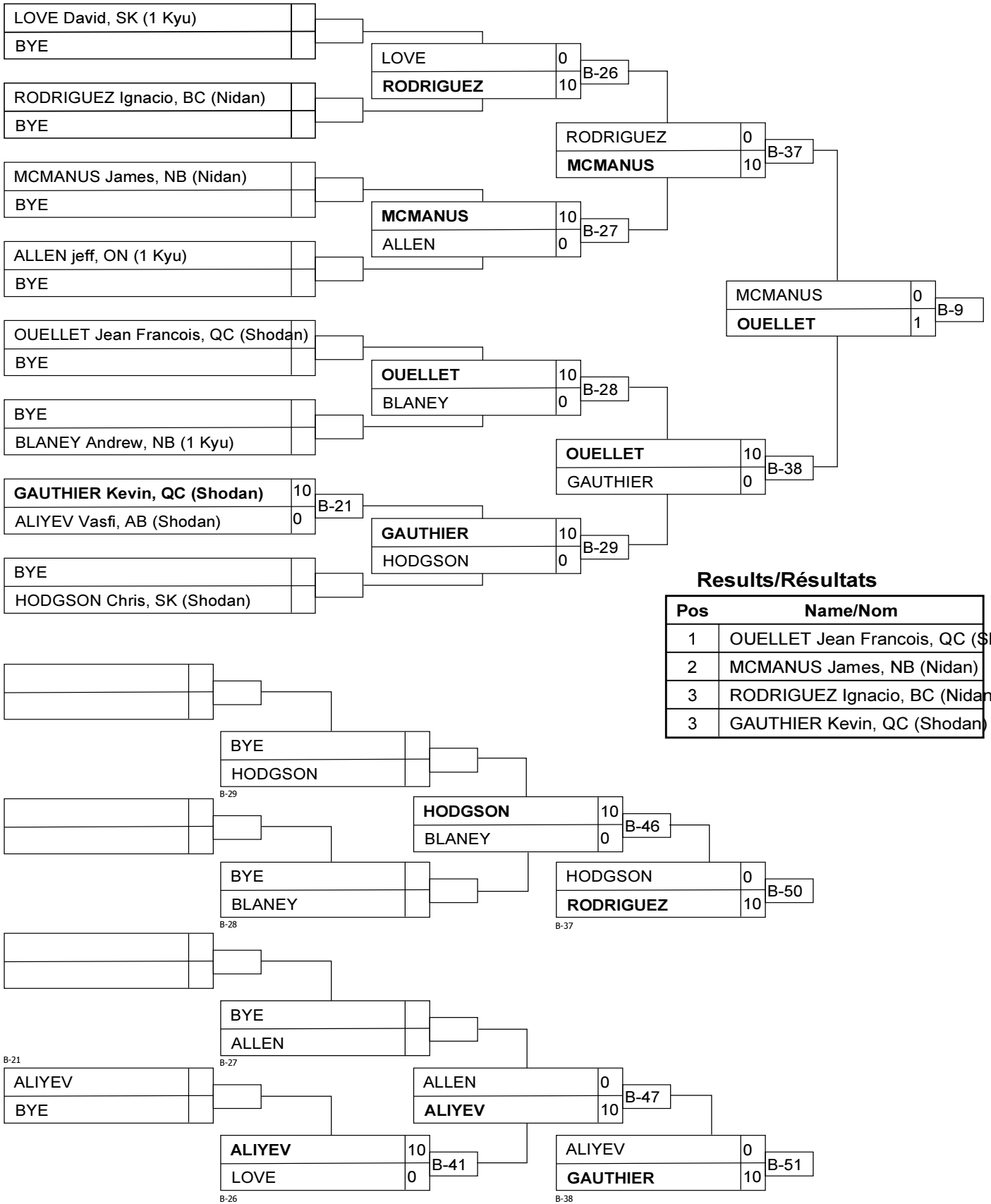
Match	White/Blanc	Blue/Bleu	Res/Rés	Tim/Tmp	Code
C-19	THOMPSON Brent 5 6	ROMANOV Andriy	0 - 10	2:22	HAN
C-34	THOMPSON Brent 5 7	EL NAHAS Shady	0 - 10	0:22	IPO
C-41	ROMANOV Andriy 6 7	EL NAHAS Shady	0 - 10	0:21	IPO



Results/Résultats

Pos	Name/Nom
1	EL NAHAS Shady , ON
2	ROMANOV Andriy, BC
3	DESCHÊNES Marc, QC
3	JAMIESON Tavis, BC

Senior M100+



Results/Résultats

Pos	Name/Nom
1	OUELLET Jean Francois, QC (Shodan)
2	MCMANUS James, NB (Nidan)
3	RODRIGUEZ Ignacio, BC (Nidan)
3	GAUTHIER Kevin, QC (Shodan)