

RedDeer2019 2019-11-23 U10-7

Competitors: 3

Competitors

#	Name	Grade	Club	1	2	3	Wins	Pts	Pos
1	Antony ELMAN	4.kyu	Kodokwai	XX	5	5	2	10	1
2	Matthew MISCU	2.kyu	Ishi Yama		XX	5	1	5	2
3	Lee LAURIE	4.kyu	Hiro's			XX	0	0	3

Matches

Match	White			Blue	Result	Time	Code
A-12	Antony ELMAN	1	2	Matthew MISCU	5 - 0	0:50	WAZ
A-24	Antony ELMAN	1	3	Lee LAURIE	5 - 0	2:00	WAZ
A-36	Matthew MISCU	2	3	Lee LAURIE	5 - 0	0:14	WAZ

Results

Pos	Name
1	Antony ELMAN, Kodokwai
2	Matthew MISCU, Ishi Yama

RedDeer2019 2019-11-23 U12F

Competitors: 0

RedDeer2019 2019-11-23 U12F-1

Competitors: 3

Competitors

#	Name	Grade	Club	1	2	3	Wins	Pts	Pos
1	Madelyn WYNTJES	2.kyu	Red Deer	XX	5	5	2	10	1
2	Addison MAINZER	2.kyu	Lethbridge		XX		0	0	3
3	Jayna GILL	4.kyu	Hiro's		5	XX	1	5	2

Matches

Match	White			Blue	Result	Time	Code
B-1	Madelyn WYNTJES	1	2	Addison MAINZER	5 - 0	2:00	WAZ
B-3	Madelyn WYNTJES	1	3	Jayna GILL	5 - 0	2:00	WAZ
B-27	Addison MAINZER	2	3	Jayna GILL	0 - 5	2:00	WAZ

Results

Pos	Name
1	Madelyn WYNTJES, Red Deer
2	Jayna GILL, Hiro's

RedDeer2019 2019-11-23 U12F-2

Competitors: 3

Competitors

#	Name	Grade	Club	1	2	3	Wins	Pts	Pos
1	Emma JIA	2.kyu	Kodokwai	XX	5	5	2	10	1
2	Taza POWELSON	2.kyu	Raymond		XX	5	1	5	2
3	Jessica HUGHES	4.kyu	Airdrie			XX	0	0	3

Matches

Match	White			Blue	Result	Time	Code
B-4	Emma JIA	1	2	Taza POWELSON	5 - 0	2:00	WAZ
B-2	Emma JIA	1	3	Jessica HUGHES	5 - 0	0:38	WAZ
B-10	Taza POWELSON	2	3	Jessica HUGHES	5 - 0	2:00	WAZ

Results

Pos	Name
1	Emma JIA, Kodokwai
2	Taza POWELSON, Raymond

RedDeer2019 2019-11-23 U12F-3

Competitors: 3

Competitors

#	Name	Grade	Club	1	2	3	Wins	Pts	Pos
1	Jessica JIA	2.kyu	Kodokwai	XX	10	5	2	15	1
2	Rory IBBOTSON	2.kyu	Yaruki		XX	5	1	5	2
3	Alizee BENOIT	2.kyu	Ryu Senshi			XX	0	0	3

Matches

Match	White			Blue	Result	Time	Code
B-9	Jessica JIA	1	2	Rory IBBOTSON	10 - 0	2:00	IPO
B-19	Jessica JIA	1	3	Alizee BENOIT	5 - 0	1:00	WAZ
B-29	Rory IBBOTSON	2	3	Alizee BENOIT	5 - 0	2:00	WAZ

Results

Pos	Name
1	Jessica JIA, Kodokwai
2	Rory IBBOTSON, Yaruki

RedDeer2019 2019-11-23 U12F-4

Competitors: 3

Competitors

#	Name	Grade	Club	1	2	3	Wins	Pts	Pos
1	Liel KOMAROV	4.kyu	Kodokwai	XX		5	1	5	2
2	Grace HOOVER	4.kyu	Kodokwai	5	XX	5	2	10	1
3	Emiliya ALIYEVA	2.kyu	Hiro's			XX	0	0	3

Matches

Match	White			Blue	Result	Time	Code
B-11	Liel KOMAROV	1	2	Grace HOOVER	0 - 5	2:00	WAZ
B-20	Liel KOMAROV	1	3	Emiliya ALIYEVA	5 - 0	2:00	WAZ
B-30	Grace HOOVER	2	3	Emiliya ALIYEVA	5 - 0	2:00	WAZ

Results

Pos	Name
1	Grace HOOVER, Kodokwai
2	Liel KOMAROV, Kodokwai

RedDeer2019 2019-11-23 U12M

Competitors: 0

RedDeer2019 2019-11-23 U12M-1

Competitors: 4

Competitors

#	Name	Grade	Club	1	2	3	4	Wins	Pts	Pos
1	Sj PASS	2.kyu	Ni-Ten	XX	10	5	5	3	20	1
2	Wyatt TREMBLAY	4.kyu	Ryu Senshi		XX			0	0	4
3	Evan IWAASA	2.kyu	Raymond		5	XX	5	2	10	2
4	Daniel BADRAN	4.kyu	Airdrie		5		XX	1	5	3

Matches

Match	White			Blue	Result	Time	Code
C-1	Sj PASS	1	2	Wyatt TREMBLAY	10 - 0	0:02	IPO
C-2	Evan IWAASA	3	4	Daniel BADRAN	5 - 0	2:00	WAZ
C-11	Sj PASS	1	3	Evan IWAASA	5 - 0	2:00	WAZ
C-16	Wyatt TREMBLAY	2	4	Daniel BADRAN	0 - 5	2:00	WAZ
C-21	Sj PASS	1	4	Daniel BADRAN	5 - 0	2:00	WAZ
C-26	Wyatt TREMBLAY	2	3	Evan IWAASA	0 - 5	2:00	WAZ

Results

Pos	Name
1	Sj PASS, Ni-Ten
2	Evan IWAASA, Raymond
3	Daniel BADRAN, Airdrie

RedDeer2019 2019-11-23 U12M-2

Competitors: 4

Competitors

#	Name	Grade	Club	1	2	3	4	Wins	Pts	Pos
1	Alaa KARBOUZI	4.kyu	Red Deer	XX		5		1	5	3
2	Jett TAYLOR	2.kyu	Ishi Yama	5	XX	5		2	10	2
3	Rocco COBO	2.kyu	Hiro's			XX		0	0	4
4	Kohen JOHNSON	1.dan	Tokugawa	5	5	5	XX	3	15	1

Matches

Match	White		Blue		Result	Time	Code
C-3	Alaa KARBOUZI	1	2	Jett TAYLOR	0 - 5	2:00	WAZ
C-7	Rocco COBO	3	4	Kohen JOHNSON	0 - 5	2:00	WAZ
C-12	Alaa KARBOUZI	1	3	Rocco COBO	5 - 0	0:00	WAZ
C-17	Jett TAYLOR	2	4	Kohen JOHNSON	0 - 5	2:00	WAZ
C-22	Alaa KARBOUZI	1	4	Kohen JOHNSON	0 - 5	2:00	WAZ
C-27	Jett TAYLOR	2	3	Rocco COBO	5 - 0	2:00	WAZ

Results

Pos	Name
1	Kohen JOHNSON, Tokugawa
2	Jett TAYLOR, Ishi Yama
3	Alaa KARBOUZI, Red Deer

RedDeer2019 2019-11-23 U12M-3

Competitors: 4

Competitors

#	Name	Grade	Club	1	2	3	4	Wins	Pts	Pos
1	Luc CATUDAL	4.kyu	Red Deer	XX	5	5		2	10	2
2	Samuel MORRISON	2.kyu	Kodokwai		XX	5		1	5	3
3	Wyatt CROSBIE	4.kyu	Yaruki			XX		0	0	4
4	Katsuya LEUNG	1.dan	Hiro's	5	5	5	XX	3	15	1

Matches

Match	White			Blue	Result	Time	Code
C-4	Luc CATUDAL	1	2	Samuel MORRISON	5 - 0	2:00	WAZ
C-8	Wyatt CROSBIE	3	4	Katsuya LEUNG	0 - 5	2:00	WAZ
C-13	Luc CATUDAL	1	3	Wyatt CROSBIE	5 - 0	2:00	WAZ
C-18	Samuel MORRISON	2	4	Katsuya LEUNG	0 - 5	2:00	WAZ
C-23	Luc CATUDAL	1	4	Katsuya LEUNG	0 - 5	2:00	WAZ
C-28	Samuel MORRISON	2	3	Wyatt CROSBIE	5 - 0	2:00	WAZ

Results

Pos	Name
1	Katsuya LEUNG, Hiro's
2	Luc CATUDAL, Red Deer
3	Samuel MORRISON, Kodokwai

RedDeer2019 2019-11-23 U12M-4

Competitors: 4

Competitors

#	Name	Grade	Club	1	2	3	4	Wins	Pts	Pos
1	Dumitru SANDU	2.kyu	Ishi Yama	XX	5	5	5	3	15	1
2	Hugo GOASDOUE-WALLACE	1.dan	Hiro's		XX	5	5	2	10	2
3	Andrew MYLES	4.kyu	Kodokwai			XX		0	0	4
4	Leith PORTER	2.kyu	Tokugawa			5	XX	1	5	3

Matches

Match	White			Blue	Result	Time	Code
C-5	Dumitru SANDU	1	2	Hugo GOASDOUE-WALLACE	5 - 0	2:00	WAZ
C-9	Andrew MYLES	3	4	Leith PORTER	0 - 5	2:00	WAZ
C-14	Dumitru SANDU	1	3	Andrew MYLES	5 - 0	2:00	WAZ
C-19	Hugo GOASDOUE-WALLACE	2	4	Leith PORTER	5 - 0	2:00	WAZ
C-24	Dumitru SANDU	1	4	Leith PORTER	5 - 0	2:00	WAZ
C-29	Hugo GOASDOUE-WALLACE	2	3	Andrew MYLES	5 - 0	2:00	WAZ

Results

Pos	Name
1	Dumitru SANDU, Ishi Yama
2	Hugo GOASDOUE-WALLACE, Hiro's
3	Leith PORTER, Tokugawa

RedDeer2019 2019-11-23 U12M-5

Competitors: 4

Competitors

#	Name	Grade	Club	1	2	3	4	Wins	Pts	Pos
1	Ty REDMOND	2.kyu	Yaruki	XX	5			1	5	3
2	Nate SHUTKO	4.kyu	Airdrie		XX			0	0	4
3	Gaven KRAUSE	4.kyu	Red Deer	5	5	XX		2	10	2
4	David KAPUSTIN	4.kyu	Kodokwai	5	5	5	XX	3	15	1

Matches

Match	White			Blue	Result	Time	Code
C-6	Ty REDMOND	1	2	Nate SHUTKO	5 - 0	2:00	WAZ
C-10	Gaven KRAUSE	3	4	David KAPUSTIN	0 - 5	2:00	WAZ
C-15	Ty REDMOND	1	3	Gaven KRAUSE	0 - 5	2:00	WAZ
C-20	Nate SHUTKO	2	4	David KAPUSTIN	0 - 5	2:00	WAZ
C-25	Ty REDMOND	1	4	David KAPUSTIN	0 - 5	2:00	WAZ
C-30	Nate SHUTKO	2	3	Gaven KRAUSE	0 - 5	2:00	WAZ

Results

Pos	Name
1	David KAPUSTIN, Kodokwai
2	Gaven KRAUSE, Red Deer
3	Ty REDMOND, Yaruki

RedDeer2019 2019-11-23 U12M-6

Competitors: 4

Competitors

#	Name	Grade	Club	1	2	3	4	Wins	Pts	Pos
1	Aiden COSSITT	2.kyu	Kodokwai	XX	5	5	5	3	15	1
2	John COLNEY	4.kyu	Kodokwai		XX	5	5	2	10	2
3	Christophe NENWA	2.kyu	Red Deer			XX	5	1	5	3
4	Tymur TOLCHAMOV	4.kyu	Airdrie				XX	0	0	4

Matches

Match	White			Blue	Result	Time	Code
B-6	Aiden COSSITT	1	2	John COLNEY	5 - 0	2:00	WAZ
B-12	Christophe NENWA	3	4	Tymur TOLCHAMOV	5 - 0	2:00	WAZ
B-16	Aiden COSSITT	1	3	Christophe NENWA	5 - 0	2:00	WAZ
B-21	John COLNEY	2	4	Tymur TOLCHAMOV	5 - 0	2:00	WAZ
B-25	Aiden COSSITT	1	4	Tymur TOLCHAMOV	5 - 0	2:00	WAZ
B-31	John COLNEY	2	3	Christophe NENWA	5 - 0	2:00	WAZ

Results

Pos	Name
1	Aiden COSSITT, Kodokwai
2	John COLNEY, Kodokwai
3	Christophe NENWA, Red Deer

RedDeer2019 2019-11-23 U12M-7

Competitors: 4

Competitors

#	Name	Grade	Club	1	2	3	4	Wins	Pts	Pos
1	Travis BELLAMY	2.kyu	Yaruki	XX	5	5	5	3	15	1
2	Stone DOMIN	2.kyu	Yaruki		XX	5	5	2	10	2
3	Nicholas CHERNEZKY	2.kyu	Lethbridge			XX	5	1	5	3
4	Yousef ALY	4.kyu	Kodokwai				XX	0	0	4

Matches

Match	White			Blue	Result	Time	Code
B-7	Travis BELLAMY	1	2	Stone DOMIN	5 - 0	2:00	WAZ
B-13	Nicholas CHERNEZKY	3	4	Yousef ALY	5 - 0	2:00	WAZ
B-17	Travis BELLAMY	1	3	Nicholas CHERNEZKY	5 - 0	2:00	WAZ
B-22	Stone DOMIN	2	4	Yousef ALY	5 - 0	2:00	WAZ
B-26	Travis BELLAMY	1	4	Yousef ALY	5 - 0	2:00	WAZ
B-32	Stone DOMIN	2	3	Nicholas CHERNEZKY	5 - 0	2:00	WAZ

Results

Pos	Name
1	Travis BELLAMY, Yaruki
2	Stone DOMIN, Yaruki
3	Nicholas CHERNEZKY, Lethbridge

RedDeer2019 2019-11-23 U12M-8

Competitors: 3

Competitors

#	Name	Grade	Club	1	2	3	Wins	Pts	Pos
1	Kalum OAKDEN	4.kyu	Kodokwai	XX			0	0	3
2	Ivano LAZIC	4.kyu	Kodokwai	5	XX	5	2	10	1
3	Rowen STERBA	2.kyu	Lethbridge	10		XX	1	10	2

Matches

Match	White			Blue	Result	Time	Code
B-14	Kalum OAKDEN	1	2	Ivano LAZIC	0 - 5	2:00	WAZ
B-23	Kalum OAKDEN	1	3	Rowen STERBA	0 - 10	0:00	IPO
B-33	Ivano LAZIC	2	3	Rowen STERBA	5 - 0	2:00	WAZ

Results

Pos	Name
1	Ivano LAZIC, Kodokwai
2	Rowen STERBA, Lethbridge

RedDeer2019 2019-11-23 U14F -36 kg

Competitors: 1

Competitors

#	Name	Grade	Club	1	Wins	Pts	Pos
1	Kami IWAASA	1.dan	Lethbridge	XX	0	0	1

Matches

Match	White	Blue	Result	Time	Code
-------	-------	------	--------	------	------

Results

Pos	Name

RedDeer2019 2019-11-23 U14F -40 kg

Competitors: 0

RedDeer2019 2019-11-23 U14F -44 kg

Competitors: 1

Competitors

#	Name	Grade	Club	1	Wins	Pts	Pos
1	Isla DIEMOS	2.kyu	Hiro's	XX	0	0	1

Matches

Match	White	Blue	Result	Time	Code
-------	-------	------	--------	------	------

Results

Pos	Name

RedDeer2019 2019-11-23 U14F -48 kg

Competitors: 3

Competitors

#	Name	Grade	Club	1	2	3	Wins	Pts	Pos
1	Sydney VAN DER KLEY	1.dan	Tolide	XX	10	10	2	20	1
2	Yarah ALY	4.kyu	Kodokwai		XX	10	1	10	2
3	Jada MAINZER	2.kyu	Lethbridge			XX	0	0	3

Matches

Match	White			Blue	Result	Time	Code
B-38	Sydney VAN DER KLEY	1	2	Yarah ALY	10 - 0	2:49	WIP
B-40	Sydney VAN DER KLEY	1	3	Jada MAINZER	10 - 0	0:53	WIP
B-42	Yarah ALY	2	3	Jada MAINZER	10 - 0	0:26	IPO

Results

Pos	Name
1	Sydney VAN DER KLEY, Tolide
2	Yarah ALY, Kodokwai

RedDeer2019 2019-11-23 U14F -52 kg

Competitors: 2

Competitors

#	Name	Grade	Club	1	2	1	2	1	2	Wins	Pts	Pos
1	Genevieve VAN TINE	4.kyu	St. Albert	XX		XX		XX		0	0	2
2	Rokiya ANAN	1.dan	Hiro's	10	XX	10	XX		XX	2	20	1

Matches

Match	White			Blue	Result	Time	Code
A-39	Genevieve VAN TINE	1	2	Rokiya ANAN	0 - 10	0:23	IPO
A-47	Rokiya ANAN	2	1	Genevieve VAN TINE	10 - 0	0:34	IPO
A-56	Genevieve VAN TINE	1	2	Rokiya ANAN			

Results

Pos	Name
1	Rokiya ANAN, Hiro's

RedDeer2019 2019-11-23 U14F -57 kg

Competitors: 2

Competitors

#	Name	Grade	Club	1	2	1	2	1	2	Wins	Pts	Pos
1	Isabel LITCHFIELD	1.dan	Barracuda	XX		XX		XX		0	0	2
2	Angeline RATCLIFFE	2.kyu	Kodokwai	10	XX	10	XX		XX	2	20	1

Matches

Match	White			Blue	Result	Time	Code
B-37	Isabel LITCHFIELD	1	2	Angeline RATCLIFFE	0 - 10	3:00	IPO
B-39	Angeline RATCLIFFE	2	1	Isabel LITCHFIELD	10 - 0	1:51	IPO
B-41	Isabel LITCHFIELD	1	2	Angeline RATCLIFFE			

Results

Pos	Name
1	Angeline RATCLIFFE, Kodokwai

RedDeer2019 2019-11-23 U14M +66

Competitors: 1

Competitors

#	Name	Grade	Club	1	Wins	Pts	Pos
1	Tyrell STILL	2.kyu	Raymond	XX	0	0	1

Matches

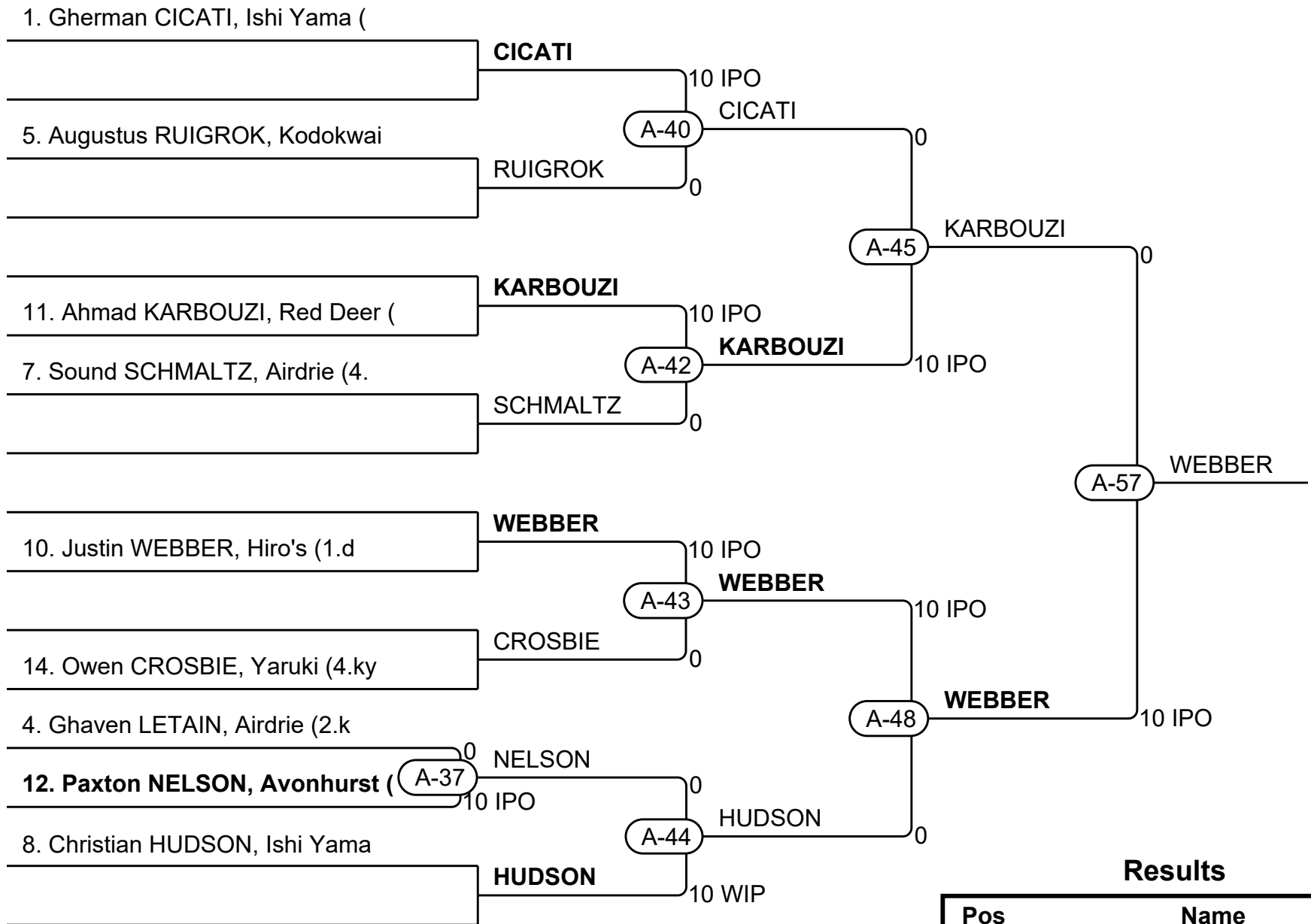
Match	White	Blue	Result	Time	Code
-------	-------	------	--------	------	------

Results

Pos	Name

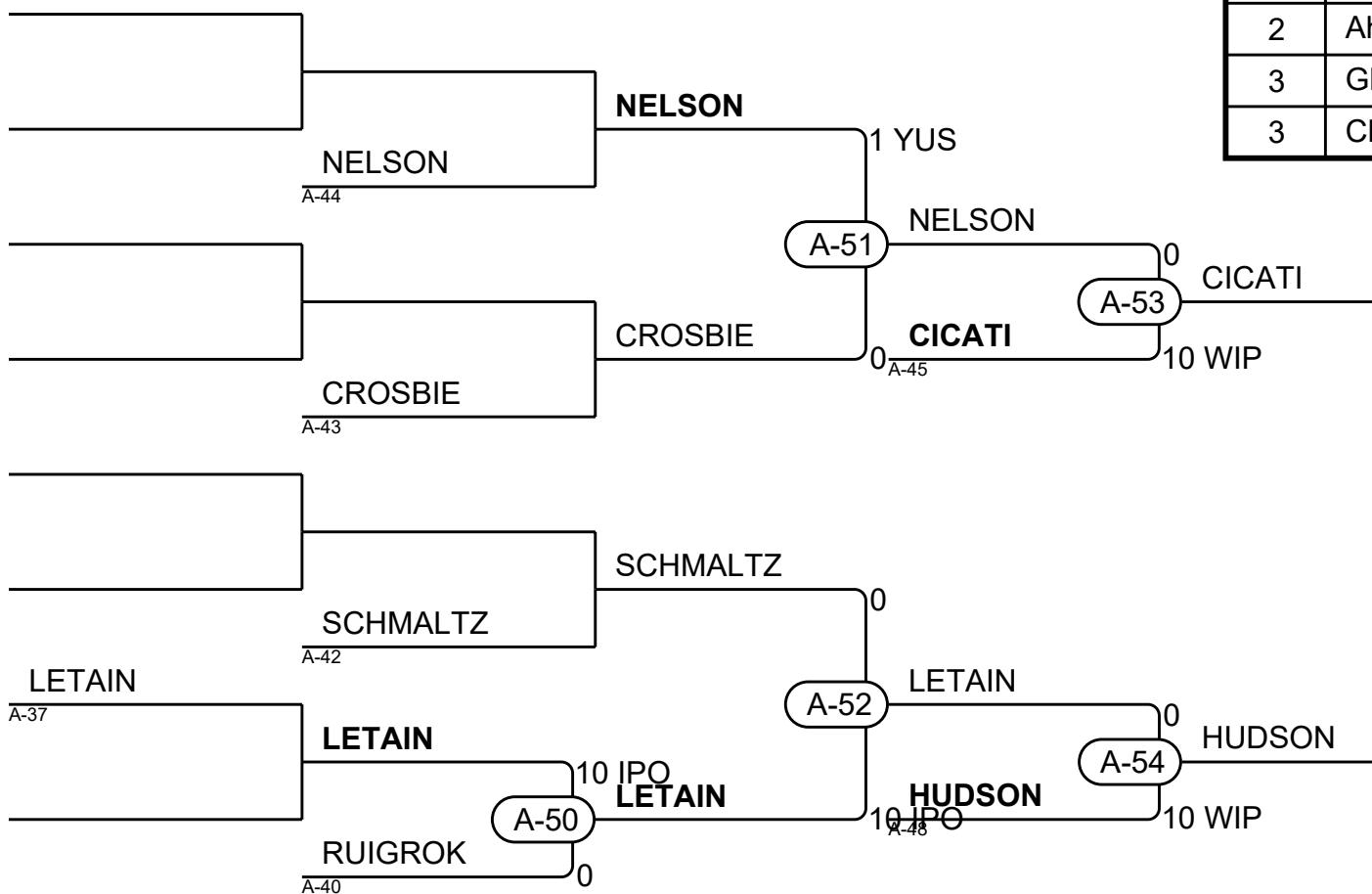
RedDeer2019 2019-11-23 U14M -34 kg

Competitors: 9



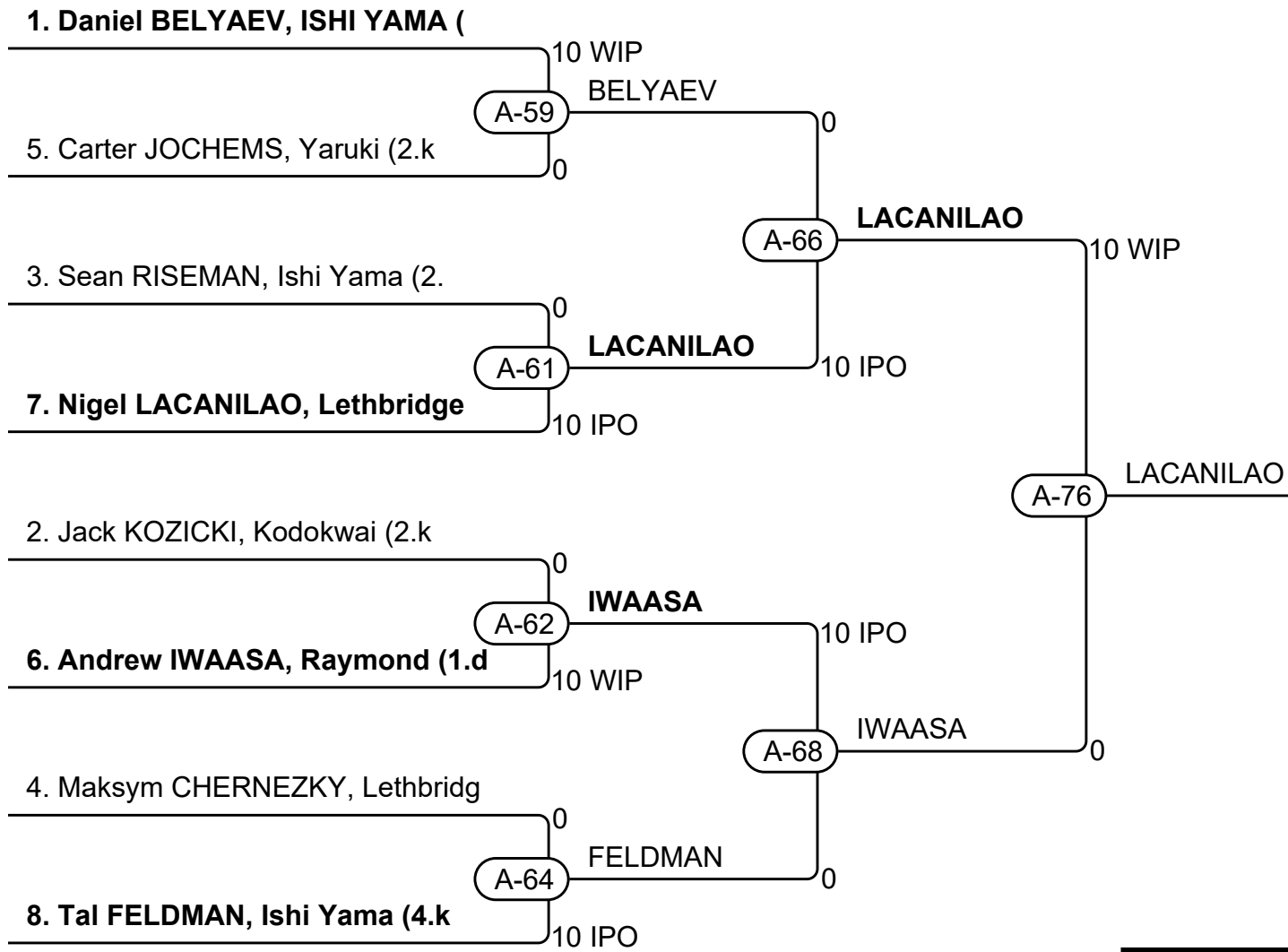
Results

Pos	Name
1	Justin WEBBER, Hiro's
2	Ahmad KARBOUZI, Red Deer
3	Gherman CICATI, Ishi Yama
3	Christian HUDSON, Ishi Yam



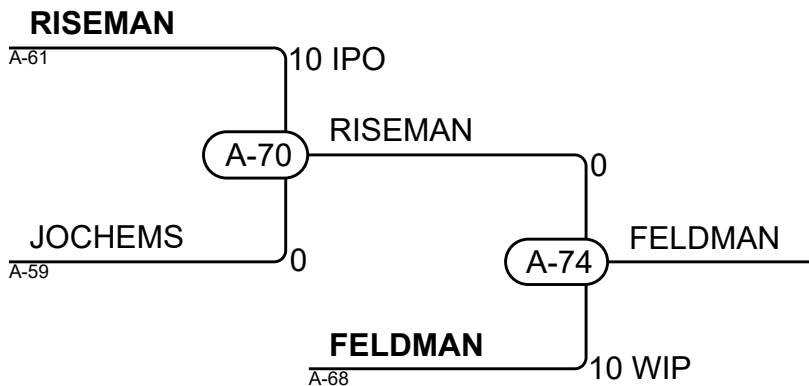
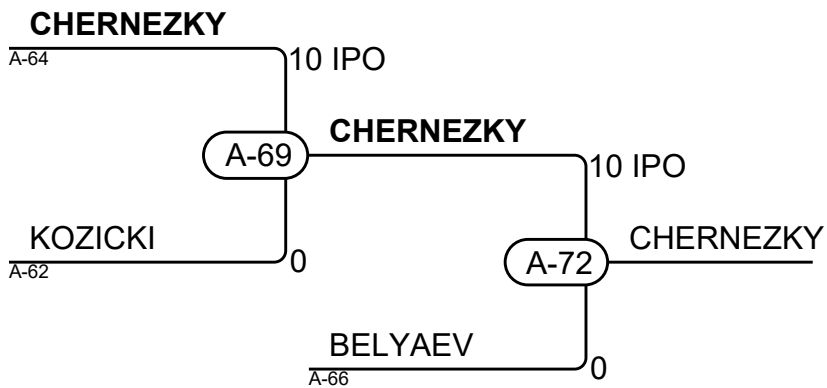
RedDeer2019 2019-11-23 U14M -38 kg

Competitors: 8



Results

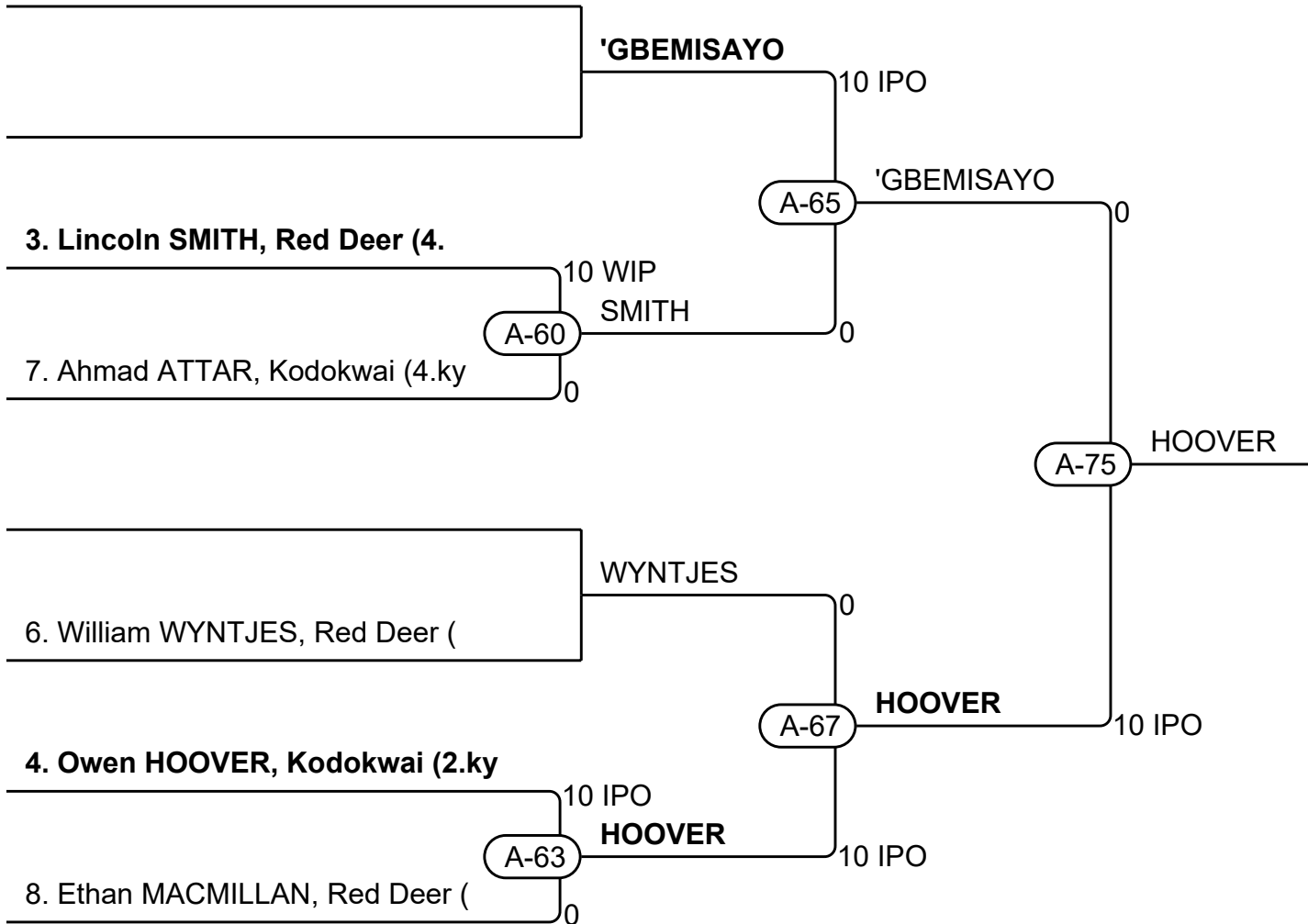
Pos	Name
1	Nigel LACANILAO, Lethbridg
2	Andrew IWAASA, Raymond
3	Maksym CHERNEZKY, Lethbrid
3	Tal FELDMAN, Ishi Yama



RedDeer2019 2019-11-23 U14M -42 kg

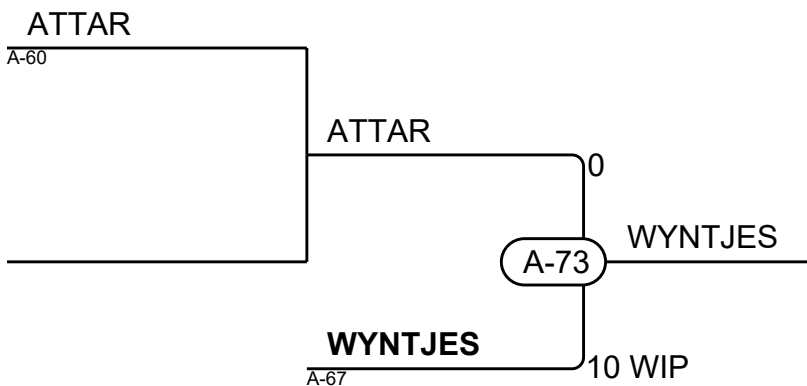
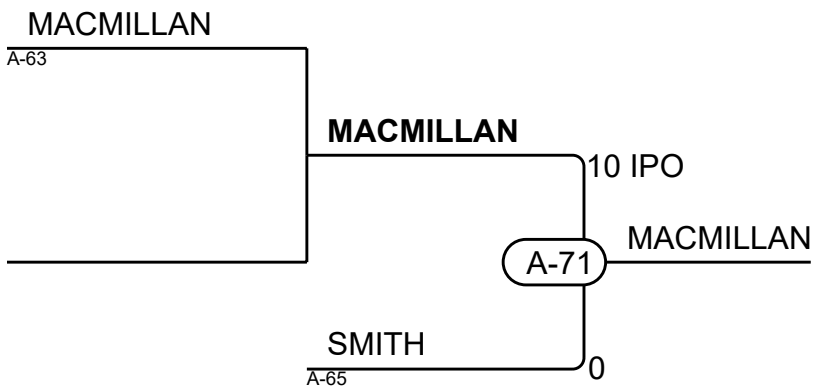
Competitors: 6

1. Majekodunmi 'GBEMISAYO, Let



Results

Pos	Name
1	Owen HOOVER, Kodokwai
2	Majekodunmi 'GBEMISAYO, Le
3	Ethan MACMILLAN, Red Deer
3	William WYNTJES, Red Deer



RedDeer2019 2019-11-23 U14M -46 kg

Competitors: 4

Competitors

#	Name	Grade	Club	1	2	3	4	Wins	Pts	Pos
1	Tymur YAROSHEVYCH	4.kyu	Red Deer	XX	10			1	10	2
2	Daniel ORDMAN	4.kyu	Red Deer		XX	10		1	10	3
3	Aiden HIEBERT	4.kyu	Airdrie	5		XX		1	5	4
4	Willis TAKAHASHI	1.dan	Lethbridge	10	10	10	XX	3	30	1

Matches

Match	White			Blue	Result	Time	Code
C-31	Tymur YAROSHEVYCH	1	2	Daniel ORDMAN	10 - 0	3:42	IPO
C-32	Aiden HIEBERT	3	4	Willis TAKAHASHI	0 - 10	0:23	IPO
C-33	Tymur YAROSHEVYCH	1	3	Aiden HIEBERT	0 - 5	3:00	WAZ
C-34	Daniel ORDMAN	2	4	Willis TAKAHASHI	0 - 10	0:25	IPO
C-35	Tymur YAROSHEVYCH	1	4	Willis TAKAHASHI	0 - 10	0:43	IPO
C-36	Daniel ORDMAN	2	3	Aiden HIEBERT	10 - 0	1:35	IPO

Results

Pos	Name
1	Willis TAKAHASHI, Lethbridge
2	Tymur YAROSHEVYCH, Red Deer
3	Daniel ORDMAN, Red Deer
4	Aiden HIEBERT, Airdrie

RedDeer2019 2019-11-23 U14M -50 kg

Competitors: 3

Competitors

#	Name	Grade	Club	1	2	3	Wins	Pts	Pos
1	Silas COUGHLAN	1.dan	Hiro's	XX	10		1	10	2
2	Seth SMITH	4.kyu	Red Deer		XX		0	0	3
3	Zubail DZHABRAILOV	1.dan	Tolide	10	10	XX	2	20	1

Matches

Match	White			Blue	Result	Time	Code
B-34	Silas COUGHLAN	1	2	Seth SMITH	10 - 0	1:41	WIP
B-35	Silas COUGHLAN	1	3	Zubail DZHABRAILOV	0 - 10	2:07	WIP
B-36	Seth SMITH	2	3	Zubail DZHABRAILOV	0 - 10	0:42	IPO

Results

Pos	Name
1	Zubail DZHABRAILOV, Tolide
2	Silas COUGHLAN, Hiro's

RedDeer2019 2019-11-23 U14M -55 kg

Competitors: 3

Competitors

#	Name	Grade	Club	1	2	3	Wins	Pts	Pos
1	Amir SAID MOHAMMOD	2.kyu	Kodokwai	XX			0	0	3
2	Sawyer ALTHOUSE	1.dan	Lethbridge	10	XX	10	2	20	1
3	Gabriel NENWA	2.kyu	Red Deer	10		XX	1	10	2

Matches

Match	White			Blue	Result	Time	Code
A-38	Amir SAID MOHAMMOD	1	2	Sawyer ALTHOUSE	0 - 10	0:47	IPO
A-46	Amir SAID MOHAMMOD	1	3	Gabriel NENWA	0 - 10	2:03	IPO
A-55	Sawyer ALTHOUSE	2	3	Gabriel NENWA	10 - 0	0:14	IPO

Results

Pos	Name
1	Sawyer ALTHOUSE, Lethbridge
2	Gabriel NENWA, Red Deer

RedDeer2019 2019-11-23 U14M -60 kg

Competitors: 2

Competitors

#	Name	Grade	Club	1	2	1	2	1	2	Wins	Pts	Pos
1	Shamus KILFOYLE	4.kyu	Red Deer	XX		XX		XX		0	0	2
2	Garrett VAN SEGGELEN	2.kyu	Red Deer	10	XX	10	XX		XX	2	20	1

Matches

Match	White			Blue	Result	Time	Code
A-41	Shamus KILFOYLE	1	2	Garrett VAN SEGGELEN	0 - 10	1:13	IPO
A-49	Garrett VAN SEGGELEN	2	1	Shamus KILFOYLE	10 - 0	0:23	WIP
A-58	Shamus KILFOYLE	1	2	Garrett VAN SEGGELEN			

Results

Pos	Name
1	Garrett VAN SEGGELEN, Red Deer

RedDeer2019 2019-11-23 U16F -44 kg

Competitors: 4

Competitors

#	Name	Grade	Club	1	2	3	4	Wins	Pts	Pos
1	Aida Miko SHIMA	1.dan	Kodokwai	XX	10		10	2	20	2
2	Elizabeth SANIKIDZE	4.kyu	Kodokwai		XX			0	0	4
3	Isla DIESMOS	2.kyu	Hiro's	10	10	XX	10	3	30	1
4	Elizabeth COSSITT	2.kyu	Kodokwai		10		XX	1	10	3

Matches

Match	White			Blue	Result	Time	Code
B-58	Aida Miko SHIMA	1	2	Elizabeth SANIKIDZE	10 - 0	2:22	IPO
B-59	Isla DIESMOS	3	4	Elizabeth COSSITT	10 - 0	3:00	KIK
B-62	Aida Miko SHIMA	1	3	Isla DIESMOS	0 - 10	1:06	IPO
B-63	Elizabeth SANIKIDZE	2	4	Elizabeth COSSITT	0 - 10	1:03	IPO
B-66	Aida Miko SHIMA	1	4	Elizabeth COSSITT	10 - 0	3:01	HAN
B-67	Elizabeth SANIKIDZE	2	3	Isla DIESMOS	0 - 10	1:28	WIP

Results

Pos	Name
1	Isla DIESMOS, Hiro's
2	Aida Miko SHIMA, Kodokwai
3	Elizabeth COSSITT, Kodokwai

RedDeer2019 2019-11-23 U16F -48 kg

Competitors: 0

RedDeer2019 2019-11-23 U16F -57 kg

Competitors: 2

Competitors

#	Name	Grade	Club	1	2	1	2	1	2	Wins	Pts	Pos
1	Kayla JOHNSON	1.dan	Tokugawa	XX		XX		XX		0	0	2
2	Jayna JOHNSTON	1.dan	Kodokwai	10	XX	10	XX		XX	2	20	1

Matches

Match	White			Blue	Result	Time	Code
B-61	Kayla JOHNSON	1	2	Jayna JOHNSTON	0 - 10	1:12	IPO
B-65	Jayna JOHNSTON	2	1	Kayla JOHNSON	10 - 0	0:38	IPO
B-69	Kayla JOHNSON	1	2	Jayna JOHNSTON			

Results

Pos	Name
1	Jayna JOHNSTON, Kodokwai

RedDeer2019 2019-11-23 U16F -63 kg

Competitors: 2

Competitors

#	Name	Grade	Club	1	2	1	2	1	2	Wins	Pts	Pos
1	Hailey IWAASA	3.dan	Raymond	XX		XX		XX		0	0	2
2	Abigail WYNTJES	2.kyu	Red Deer	5	XX	10	XX		XX	2	15	1

Matches

Match	White			Blue	Result	Time	Code
B-60	Hailey IWAASA	1	2	Abigail WYNTJES	0 - 5	3:00	WAZ
B-64	Abigail WYNTJES	2	1	Hailey IWAASA	10 - 0	2:12	WIP
B-68	Hailey IWAASA	1	2	Abigail WYNTJES			

Results

Pos	Name
1	Abigail WYNTJES, Red Deer

RedDeer2019 2019-11-23 U16F -70 kg

Competitors: 0

RedDeer2019 2019-11-23 U16M +73 kg

Competitors: 1

Competitors

#	Name	Grade	Club	1	Wins	Pts	Pos
1	Alexandru SANDU	2.kyu	Ishi Yama	XX	0	0	1

Matches

Match	White	Blue	Result	Time	Code
-------	-------	------	--------	------	------

Results

Pos	Name

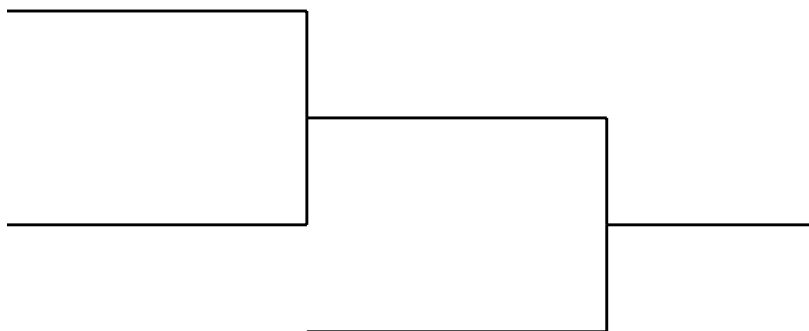
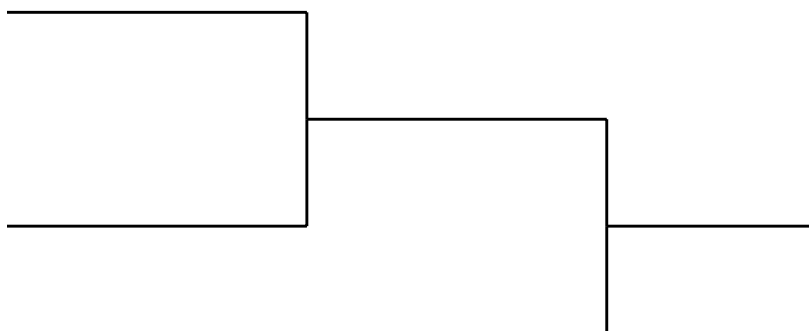
RedDeer2019 2019-11-23 U16M -38 kg

Competitors: 1



Results

Pos	Name
1	Hugo BROWN, Hiro's
2	
3	
3	
5	
5	
7	
7	



RedDeer2019 2019-11-23 U16M -42 kg

Competitors: 3

Competitors

#	Name	Grade	Club	1	2	3	Wins	Pts	Pos
1	Daniel MOGDAN	2.kyu	Hiro's	XX	10		1	10	2
2	Logan IWAASA	1.dan	Raymond		XX		0	0	3
3	Omar KARBOUZI	2.kyu	Red Deer	10	10	XX	2	20	1

Matches

Match	White			Blue	Result	Time	Code
C-38	Daniel MOGDAN	1	2	Logan IWAASA	10 - 0	1:59	IPO
C-41	Daniel MOGDAN	1	3	Omar KARBOUZI	0 - 10	2:29	IPO
C-44	Logan IWAASA	2	3	Omar KARBOUZI	0 - 10	1:51	IPO

Results

Pos	Name
1	Omar KARBOUZI, Red Deer
2	Daniel MOGDAN, Hiro's

RedDeer2019 2019-11-23 U16M -46 kg

Competitors: 2

Competitors

#	Name	Grade	Club	1	2	1	2	1	2	Wins	Pts	Pos
1	Stefan TESANOVIC	3.dan	Ishi Yama	XX		XX	10	XX		1	10	2
2	Willis TAKAHASHI	1.dan	Lethbridge	5	XX		XX	10	XX	2	15	1

Matches

Match	White			Blue	Result	Time	Code
C-39	Stefan TESANOVIC	1	2	Willis TAKAHASHI	0 - 5	5:03	GSW
C-42	Willis TAKAHASHI	2	1	Stefan TESANOVIC	0 - 10	0:18	IPO
C-45	Stefan TESANOVIC	1	2	Willis TAKAHASHI	0 - 10	1:43	WIP

Results

Pos	Name
1	Willis TAKAHASHI, Lethbridge
2	Stefan TESANOVIC, Ishi Yama

RedDeer2019 2019-11-23 U16M -50 kg

Competitors: 4

Competitors

#	Name	Grade	Club	1	2	3	4	Wins	Pts	Pos
1	Tyson THORNTON	3.dan	Tokugawa	XX	10	10		2	20	2
2	Austin SACHS	4.kyu	Red Deer		XX			0	0	4
3	Zubail DZHABRAILOV	1.dan	Tolide		10	XX		1	10	3
4	Katsuhiro LEUNG	3.dan	Hiro's	10	10	10	XX	3	30	1

Matches

Match	White			Blue	Result	Time	Code
B-44	Tyson THORNTON	1	2	Austin SACHS	10 - 0	0:25	WIP
B-47	Zubail DZHABRAILOV	3	4	Katsuhiro LEUNG	0 - 10	0:27	WIP
B-49	Tyson THORNTON	1	3	Zubail DZHABRAILOV	10 - 0	0:14	IPO
B-52	Austin SACHS	2	4	Katsuhiro LEUNG	0 - 10	0:09	IPO
B-54	Tyson THORNTON	1	4	Katsuhiro LEUNG	0 - 10	0:23	WIP
B-57	Austin SACHS	2	3	Zubail DZHABRAILOV	0 - 10	0:18	WIP

Results

Pos	Name
1	Katsuhiro LEUNG, Hiro's
2	Tyson THORNTON, Tokugawa
3	Zubail DZHABRAILOV, Tolide

RedDeer2019 2019-11-23 U16M -55 kg

Competitors: 2

Competitors

#	Name	Grade	Club	1	2	1	2	1	2	Wins	Pts	Pos
1	Duncan THIRSK	1.dan	Kodokwai	XX		XX	5	XX		1	5	2
2	Elmar ALIYEV	3.dan	Hiro's	5	XX		XX	5	XX	2	10	1

Matches

Match	White			Blue	Result	Time	Code
B-45	Duncan THIRSK	1	2	Elmar ALIYEV	0 - 5	3:26	GSW
B-50	Elmar ALIYEV	2	1	Duncan THIRSK	0 - 5	3:55	GSW
B-55	Duncan THIRSK	1	2	Elmar ALIYEV	0 - 5	4:13	GSW

Results

Pos	Name
1	Elmar ALIYEV, Hiro's
2	Duncan THIRSK, Kodokwai

RedDeer2019 2019-11-23 U16M -60 kg

Competitors: 4

Competitors

#	Name	Grade	Club	1	2	3	4	Wins	Pts	Pos
1	Dj ROBERTS	3.dan	Airdrie	XX	10	10	10	3	30	1
2	Daniel TRYON	4.kyu	Airdrie		XX	10		1	10	3
3	Nathan ROLFE	3.dan	Ishi Yama			XX		0	0	4
4	Habib SAID MOHAMMOD	1.dan	Kodokwai		10	5	XX	2	15	2

Matches

Match	White			Blue	Result	Time	Code
B-43	Dj ROBERTS	1	2	Daniel TRYON	10 - 0	0:23	IPO
B-46	Nathan ROLFE	3	4	Habib SAID MOHAMMOD	0 - 5	3:00	WAZ
B-48	Dj ROBERTS	1	3	Nathan ROLFE	10 - 0	2:29	WIP
B-51	Daniel TRYON	2	4	Habib SAID MOHAMMOD	0 - 10	0:44	IPO
B-53	Dj ROBERTS	1	4	Habib SAID MOHAMMOD	10 - 0	0:36	IPO
B-56	Daniel TRYON	2	3	Nathan ROLFE	10 - 0	3:22	GSI

Results

Pos	Name
1	Dj ROBERTS, Airdrie
2	Habib SAID MOHAMMOD, Kodokwai
3	Daniel TRYON, Airdrie

RedDeer2019 2019-11-23 U16M -66 kg

Competitors: 3

Competitors

#	Name	Grade	Club	1	2	3	Wins	Pts	Pos
1	Albert BIXI	3.dan	Ishi Yama	XX	10	10	2	20	1
2	Samuel CLEMENT	3.dan	Ishi Yama		XX		0	0	3
3	Gavann GILL	3.dan	Hiro's		10	XX	1	10	2

Matches

Match	White			Blue	Result	Time	Code
C-37	Albert BIXI	1	2	Samuel CLEMENT	10 - 0	0:24	IPO
C-40	Albert BIXI	1	3	Gavann GILL	10 - 0	1:32	IPO
C-43	Samuel CLEMENT	2	3	Gavann GILL	0 - 10	2:39	WIP

Results

Pos	Name
1	Albert BIXI, Ishi Yama
2	Gavann GILL, Hiro's

RedDeer2019 2019-11-23

U16M Ne-Waza

Competitors: 0

RedDeer2019 2019-11-23 U18F -57 kg

Competitors: 0

RedDeer2019 2019-11-23 U18F -63 kg

Competitors: 1

Competitors

#	Name	Grade	Club	1	Wins	Pts	Pos
1	Abby SMALL	1.dan	Red Deer	XX	0	0	1

Matches

Match	White	Blue	Result	Time	Code
-------	-------	------	--------	------	------

Results

Pos	Name

RedDeer2019 2019-11-23 U18F -70 kg

Competitors: 1

Competitors

#	Name	Grade	Club	1	Wins	Pts	Pos
1	Teyana ROBERTS	5.dan	Hiro's	XX	0	0	1

Matches

Match	White	Blue	Result	Time	Code
-------	-------	------	--------	------	------

Results

Pos	Name

RedDeer2019 2019-11-23 U18M -46 kg

Competitors: 1

Competitors

#	Name	Grade	Club	1	Wins	Pts	Pos
1	Stefan TESANOVIC	3.dan	Ishi Yama	XX	0	0	1

Matches

Match	White	Blue	Result	Time	Code
-------	-------	------	--------	------	------

Results

Pos	Name

RedDeer2019 2019-11-23 U18M -50 kg

Competitors: 3

Competitors

#	Name	Grade	Club	1	2	3	Wins	Pts	Pos
1	Ken MOSES	3.dan	Hiro's	XX			0	0	3
2	Katsuhiko LEUNG	3.dan	Hiro's	10	XX		1	10	2
3	Tyson THORNTON	3.dan	Tokugawa	10	10	XX	2	20	1

Matches

Match	White			Blue	Result	Time	Code
B-72	Ken MOSES	1	2	Katsuhiko LEUNG	0 - 10	6:11	GSI
B-75	Ken MOSES	1	3	Tyson THORNTON	0 - 10	1:02	IPO
B-78	Katsuhiko LEUNG	2	3	Tyson THORNTON	0 - 10	2:47	WIP

Results

Pos	Name
1	Tyson THORNTON, Tokugawa
2	Katsuhiko LEUNG, Hiro's

RedDeer2019 2019-11-23 U18M -55 kg

Competitors: 1

Competitors

#	Name	Grade	Club	1	Wins	Pts	Pos
1	Elmar ALIYEV	3.dan	Hiro's	XX	0	0	1

Matches

Match	White	Blue	Result	Time	Code
-------	-------	------	--------	------	------

Results

Pos	Name

RedDeer2019 2019-11-23 U18M -60 kg

Competitors: 4

Competitors

#	Name	Grade	Club	1	2	3	4	Wins	Pts	Pos
1	Dima ZOTOV	3.dan	St. Albert	XX	10	10	10	3	30	1
2	Nathan ROLFE	3.dan	Ishi Yama		XX			0	0	4
3	Tymour ANAN	3.dan	Hiro's		10	XX		1	10	3
4	Dj ROBERTS	3.dan	Airdrie		10	10	XX	2	20	2

Matches

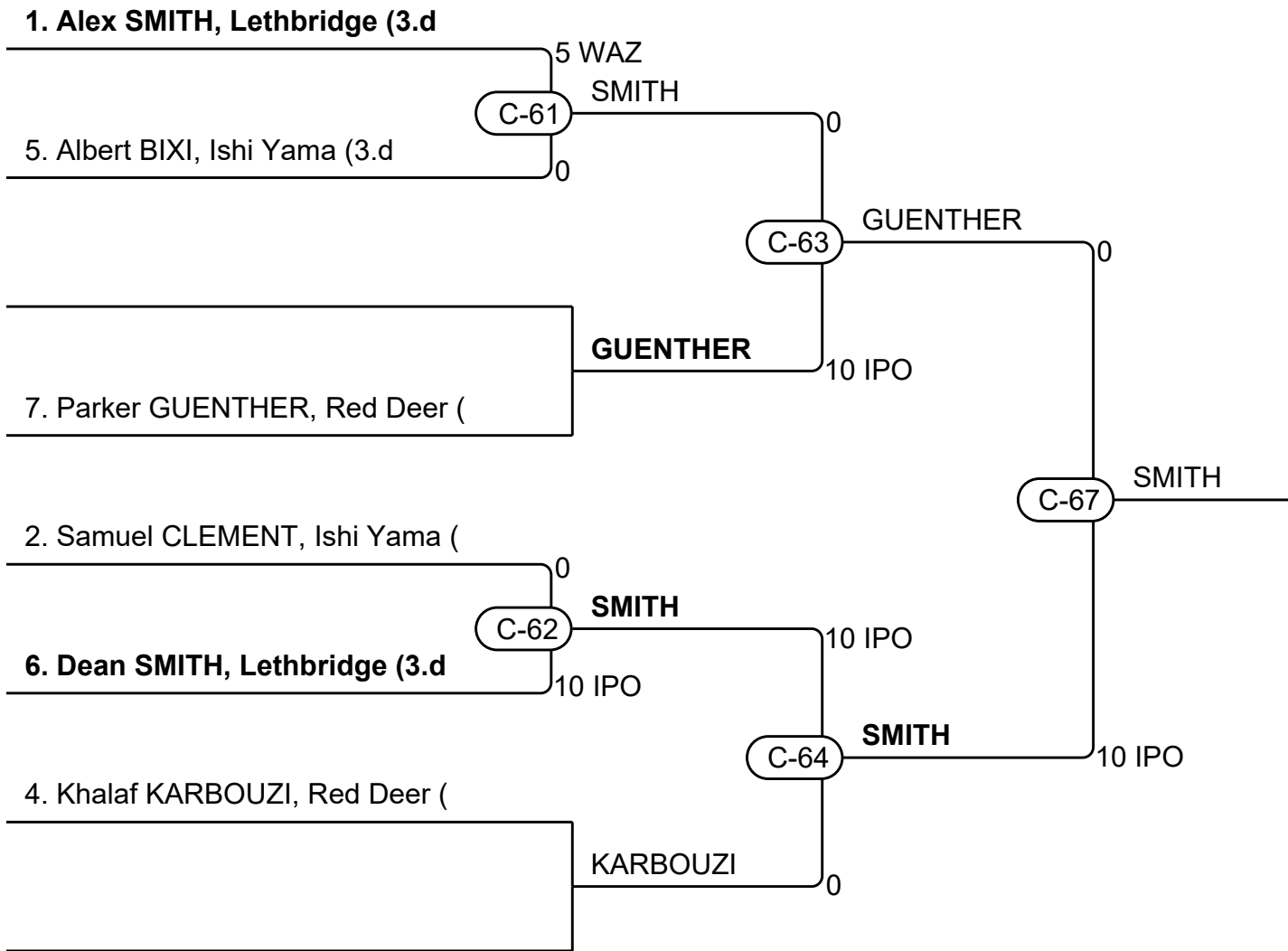
Match	White			Blue	Result	Time	Code
B-70	Dima ZOTOV	1	2	Nathan ROLFE	10 - 0	0:00	KIK
B-71	Tymour ANAN	3	4	Dj ROBERTS	0 - 10	0:43	IPO
B-73	Dima ZOTOV	1	3	Tymour ANAN	10 - 0	0:42	IPO
B-74	Nathan ROLFE	2	4	Dj ROBERTS	0 - 10	0:00	KIK
B-76	Dima ZOTOV	1	4	Dj ROBERTS	10 - 0	0:16	IPO
B-77	Nathan ROLFE	2	3	Tymour ANAN	0 - 10	0:00	KIK

Results

Pos	Name
1	Dima ZOTOV, St. Albert
2	Dj ROBERTS, Airdrie
3	Tymour ANAN, Hiro's

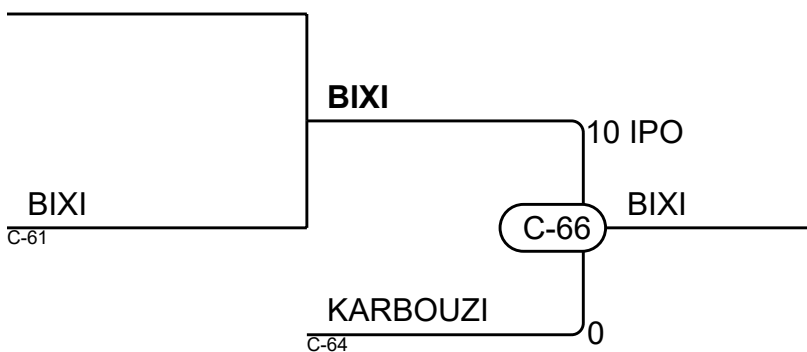
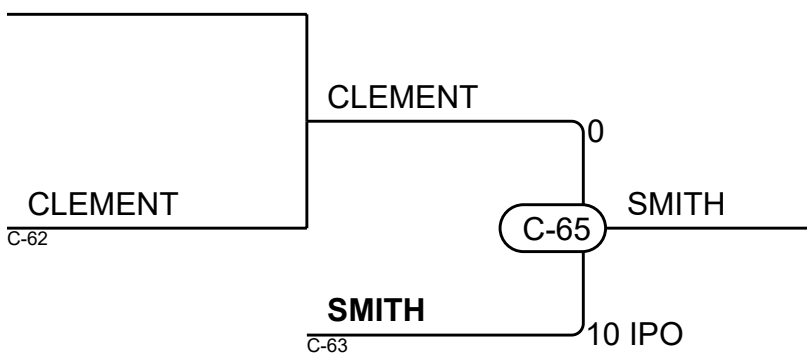
RedDeer2019 2019-11-23 U18M -66 kg

Competitors: 6



Results

Pos	Name
1	Dean SMITH, Lethbridge
2	Parker GUENTHER, Red Deer
3	Alex SMITH, Lethbridge
3	Albert BIXI, Ishi Yama



RedDeer2019 2019-11-23 U18M -81 kg

Competitors: 2

Competitors

#	Name	Grade	Club	1	2	1	2	1	2	Wins	Pts	Pos
1	Owen EDEL	3.dan	Kodokwai	XX		XX		XX		0	0	2
2	Tighe MCASEY	3.dan	Ishi Yama	10	XX	10	XX		XX	2	20	1

Matches

Match	White			Blue	Result	Time	Code
C-46	Owen EDEL	1	2	Tighe MCASEY	0 - 10	1:05	IPO
C-47	Tighe MCASEY	2	1	Owen EDEL	10 - 0	1:42	IPO
C-48	Owen EDEL	1	2	Tighe MCASEY			

Results

Pos	Name
1	Tighe MCASEY, Ishi Yama

RedDeer2019 2019-11-23 U21F -57 kg

Competitors: 0

RedDeer2019 2019-11-23 U21M -60 kg

Competitors: 3

Competitors

#	Name	Grade	Club	1	2	3	Wins	Pts	Pos
1	Jarrett HANEARIN-BALCZER	7.dan	Hiro's	XX	10	5	2	15	1
2	Tymour ANAN	3.dan	Hiro's		XX		0	0	3
3	Dima ZOTOV	3.dan	St. Albert		10	XX	1	10	2

Matches

Match	White			Blue	Result	Time	Code
B-79	Jarrett HANEARIN-BALCZER	1	2	Tymour ANAN	10 - 0	3:05	IPO
B-80	Jarrett HANEARIN-BALCZER	1	3	Dima ZOTOV	5 - 0	4:23	GSW
B-81	Tymour ANAN	2	3	Dima ZOTOV	0 - 10	3:01	WIP

Results

Pos	Name
1	Jarrett HANEARIN-BALCZER, Hiro's
2	Dima ZOTOV, St. Albert

RedDeer2019 2019-11-23 U21M -66 kg

Competitors: 2

Competitors

#	Name	Grade	Club	1	2	1	2	1	2	Wins	Pts	Pos
1	Alex SMITH	3.dan	Lethbridge	XX	10	XX		XX		1	10	2
2	Dean SMITH	3.dan	Lethbridge		XX	10	XX	10	XX	2	20	1

Matches

Match	White			Blue	Result	Time	Code
C-49	Alex SMITH	1	2	Dean SMITH	10 - 0	0:52	IPO
C-50	Dean SMITH	2	1	Alex SMITH	10 - 0	0:31	IPO
C-51	Alex SMITH	1	2	Dean SMITH	0 - 10	2:03	IPO

Results

Pos	Name
1	Dean SMITH, Lethbridge
2	Alex SMITH, Lethbridge

RedDeer2019 2019-11-23 U21M -81 kg

Competitors: 1

Competitors

#	Name	Grade	Club	1	Wins	Pts	Pos
1	Tighe MCASEY	3.dan	Ishi Yama	XX	0	0	1

Matches

Match	White	Blue	Result	Time	Code
-------	-------	------	--------	------	------

Results

Pos	Name